



# Parts Manual

---

Model \_\_\_\_\_ Push/Pull \_\_\_\_\_

Catalog Number \_\_\_\_\_ **35E-PPS-A003 R4** \_\_\_\_\_

---

**cascade**®  
**corporation**

**For Technical Assistance call:** 800-227-2233, Fax: 888-329-8207

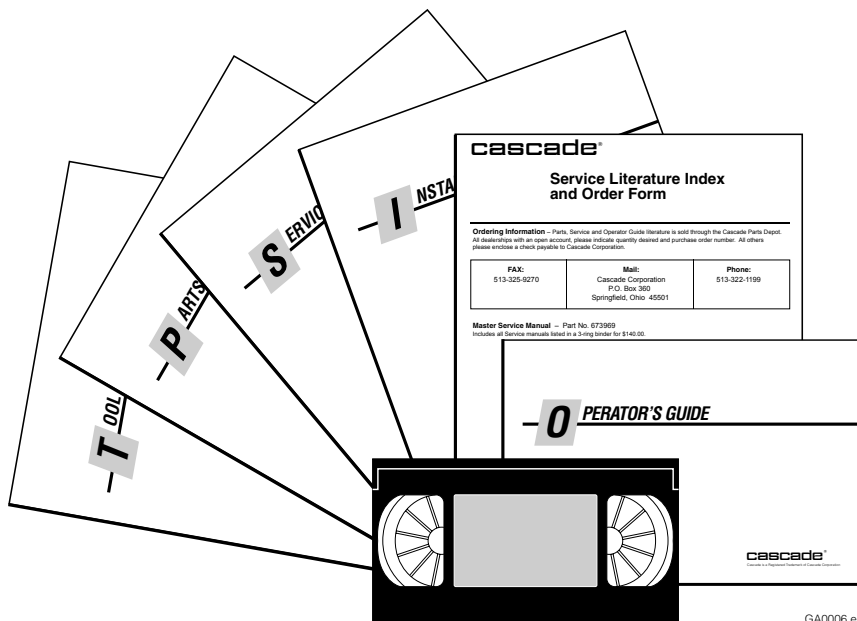
**To Order Parts call:** 888-227-2233, Fax: 888-329-0234

**OR**

**Write:** Cascade Corporation, P.O. Box 20187, Portland, OR 97220

**Internet:** [www.cascorp.com](http://www.cascorp.com)

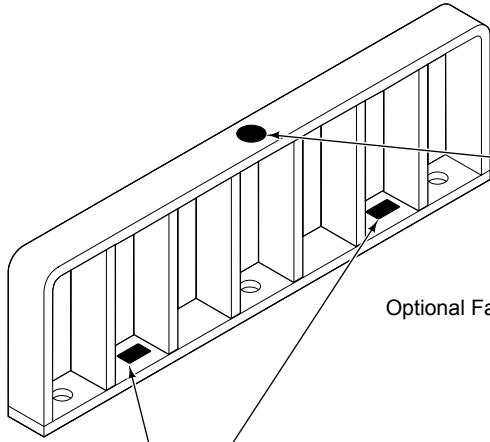
# Publications



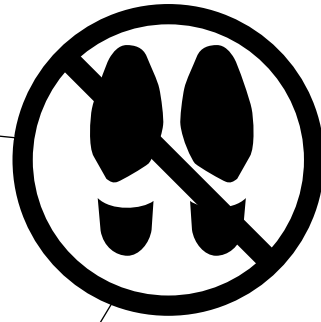
GA0006.eps

PART NO.	DESCRIPTION
	Parts Manual
686455	Service Manual
684945	Operators Guide
685531	Operators Pocket Guide
684944	Installation Instructions
680664	Servicing Cascade Cylinders-VHS
679929	Tool Catalog
673964	Literature Index Order Form

# Decals



Optional Faceplate Extension



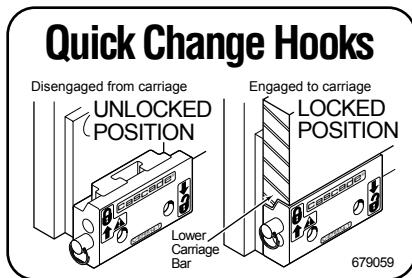
Part No. 679150  
(1 Place & 1 optional )



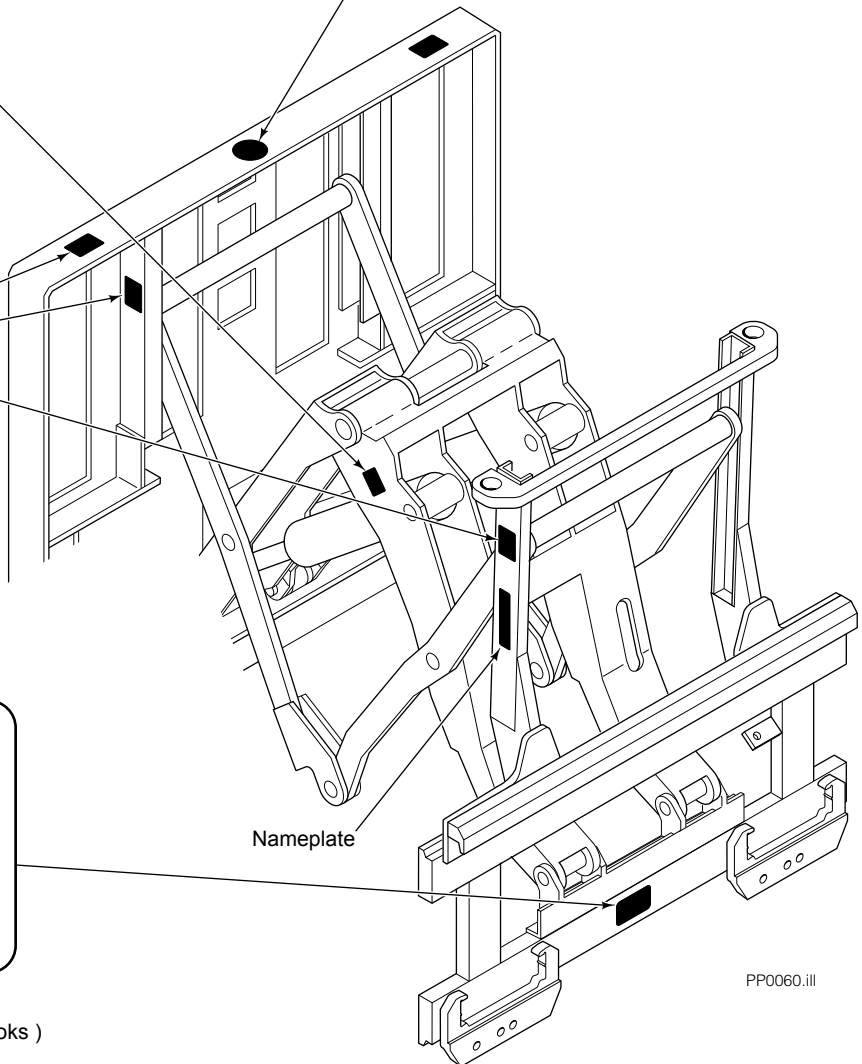
Part No. 665595  
(2 Place & 2 optional )



Part No. 656038  
( 6 Places )



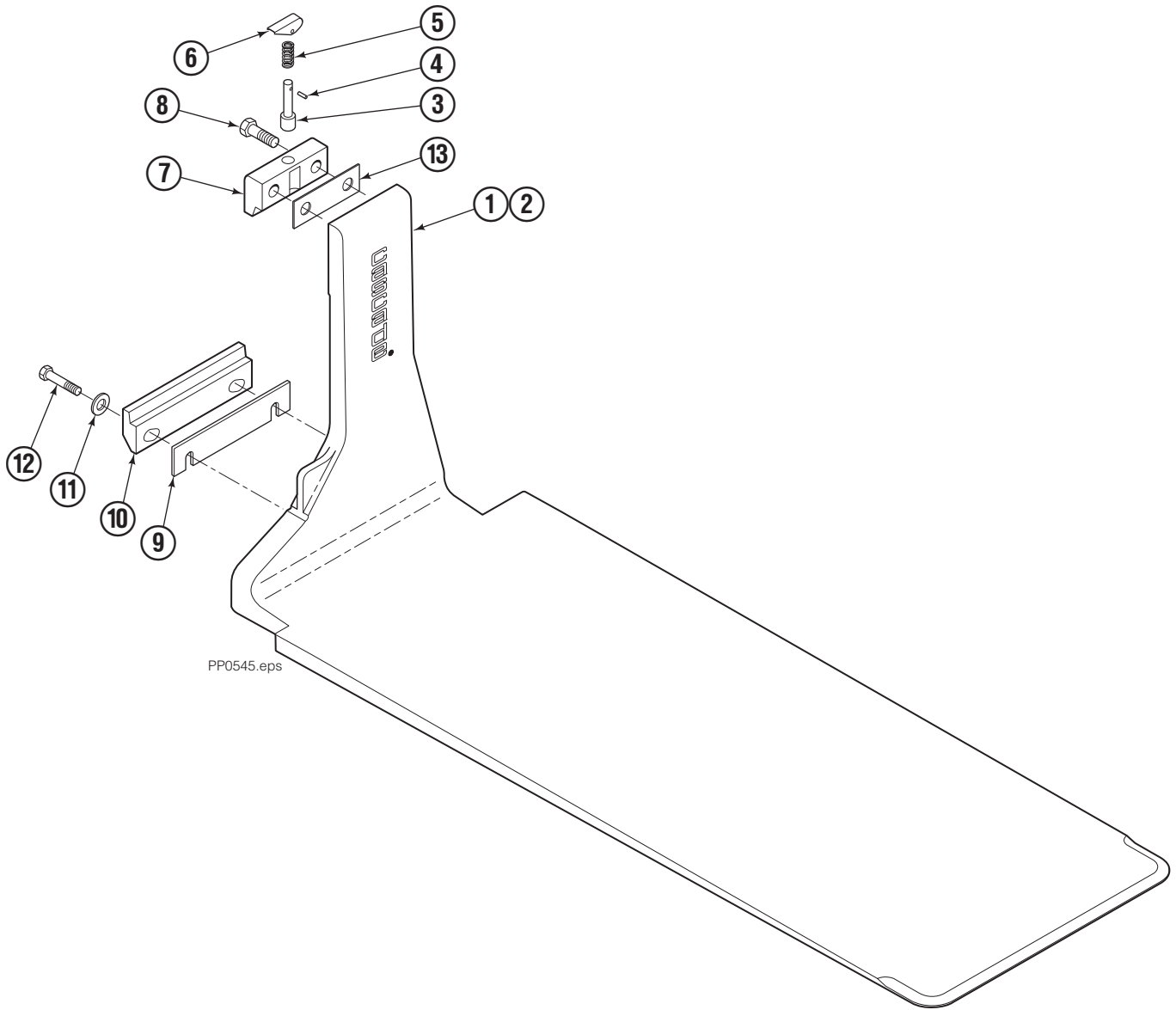
Part No. 679059  
(1 Place if equipped with Quick Change Hooks )



Nameplate

PP0060.iii

# Platen Group

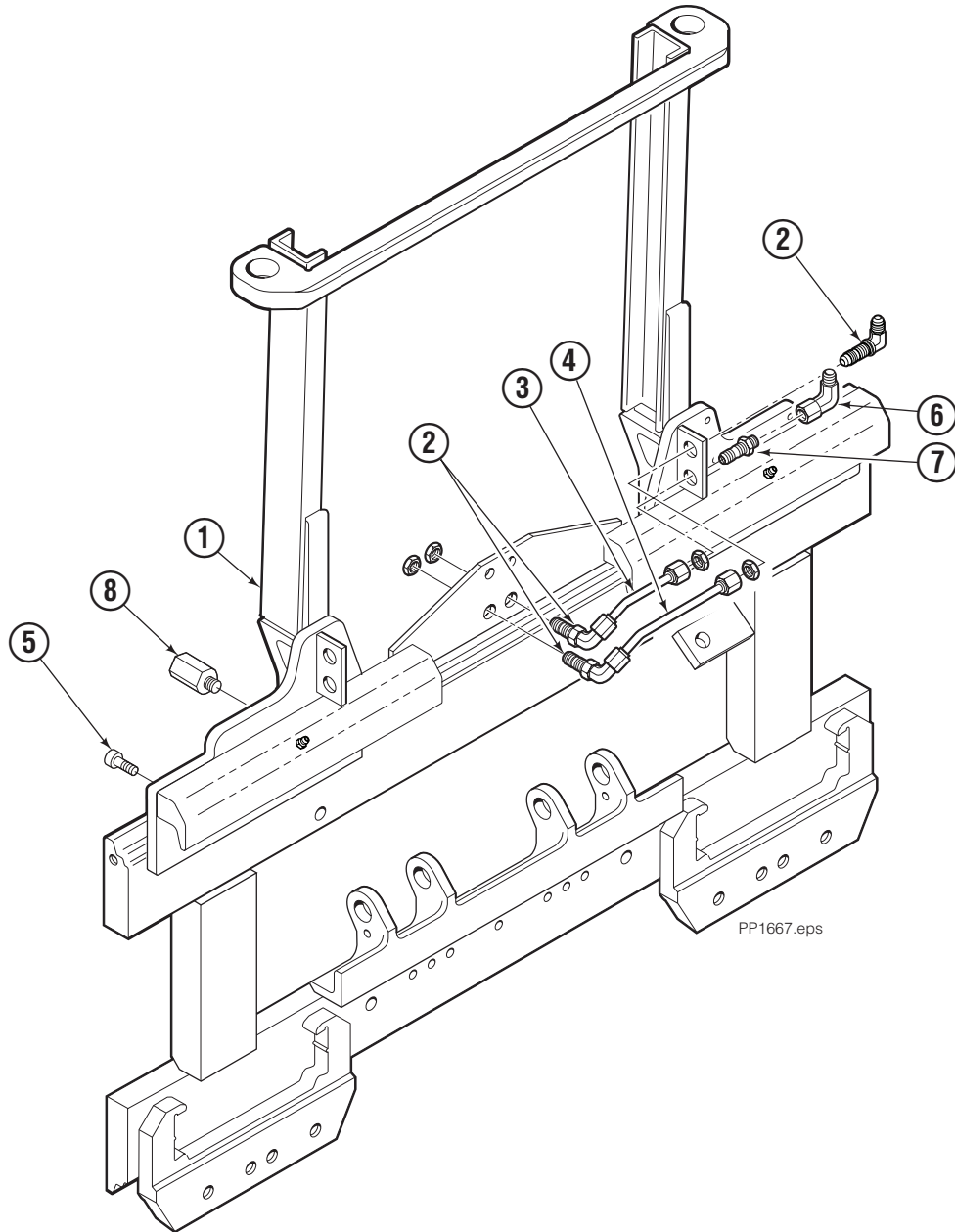


35E/45E							
REF	QTY	PART NO.	DESCRIPTION	REF	QTY	PART NO.	DESCRIPTION
		685751	Platen Group	7	2	685533	◆ Upper Hook
1	1	685752	Platen – LH	8	4	685677	Capscrew, M16 x 45
2	1	685753	Platen – RH	9	●	682858	Shim (.030)
3	2	622907	◆ Pin	10	2	682851	Lower Hook
4	2	8007	◆ Rivet	11	4	667225	Washer
5	2	622908	◆ Spring	12	4	209016	Capscrew, M16 x 35
6	2	622897	◆ Handle	13	■	688379	Shim (.060)

◆ Included in Upper Hook Assembly 688386.  
Reference: S-3408, S-3409, S-3410.

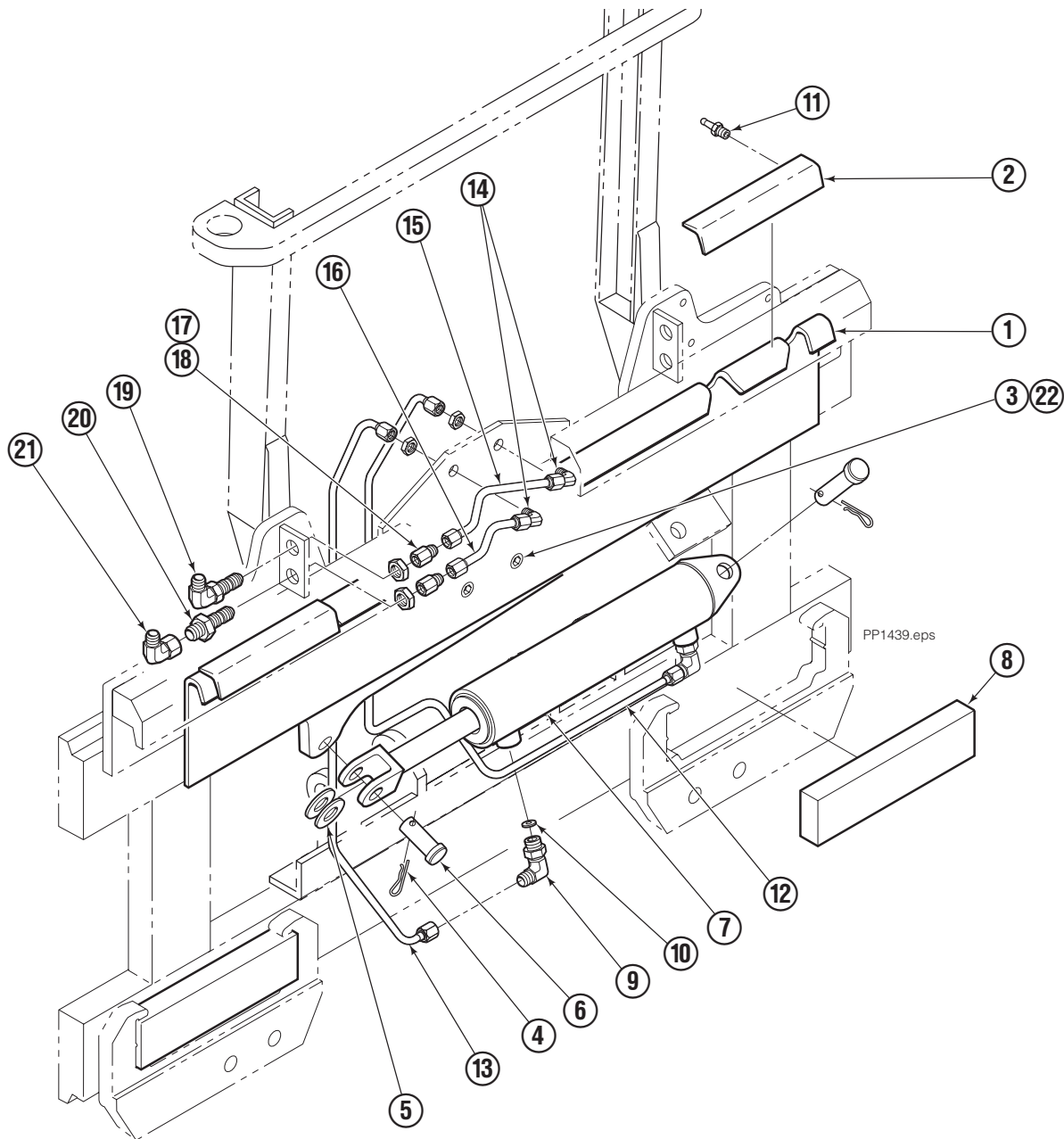
● As required – 2 maximum.  
■ As required for proper adjustment.

# Frame Group



35E			
REF	QTY	PART NO.	DESCRIPTION
		6082715	Frame Group
1	1	6050000	Frame
2	3	2453	Fitting, 6-6
3	1	686509	Tube
4	1	686510	Tube
5	2	768825	Capscrew, M12 x 20
6	1	2680	Fitting, 6-6
7	1	2375	Fitting, 6-6
8	4	682850	Stop

# S/S Mounting Group ITA II



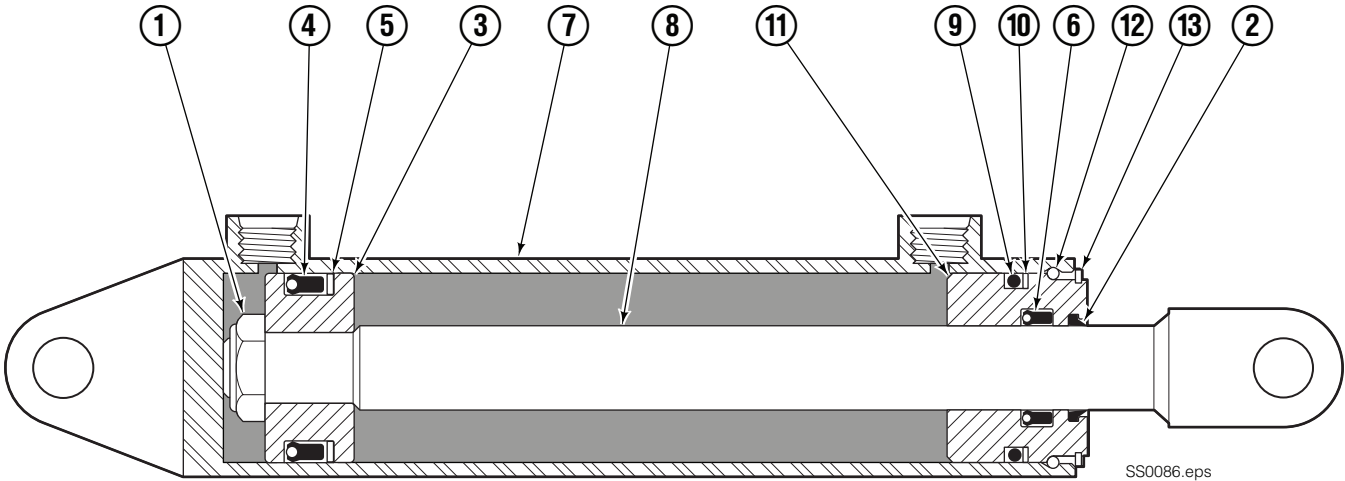
35E/45E							
REF	QTY	PART NO.	DESCRIPTION	REF	QTY	PART NO.	DESCRIPTION
		682833	Mounting Group - R7	12	1	211757	Tube
1	1	682554	Anchor Bracket	13	1	211758	Tube
2	2	671165	■ Bearing Segment	14	2	2451	Fitting, 4-4
3	2	768759	Setscrew, M12 x 35	15	1	686515	Tube
4	2	6517	Cotter Pin	16	1	686516	Tube
5	2	6234	Washer	17	2	2669	Fitting, 4-6
6	2	214036	Clevis Pin	18	2	2617	Fitting, 6-6
7	1	675548	Cylinder ◆	19	1	2453	Fitting, 6-6
8	2	682814	Bearing	20	1	2375	Fitting, 6-6
9	2	666984	Fitting, 4-6	21	1	2680	Fitting, 6-6
10	2	675550	Restrictor Washer	22	2	688387	Jam Nut
11	4	7403	■ Grease Fitting				

◆ See Cylinder page for parts breakdown.

■ Included in Bearing Service Kit 671423.

Reference: SK-5385.

# Sideshift Cylinder

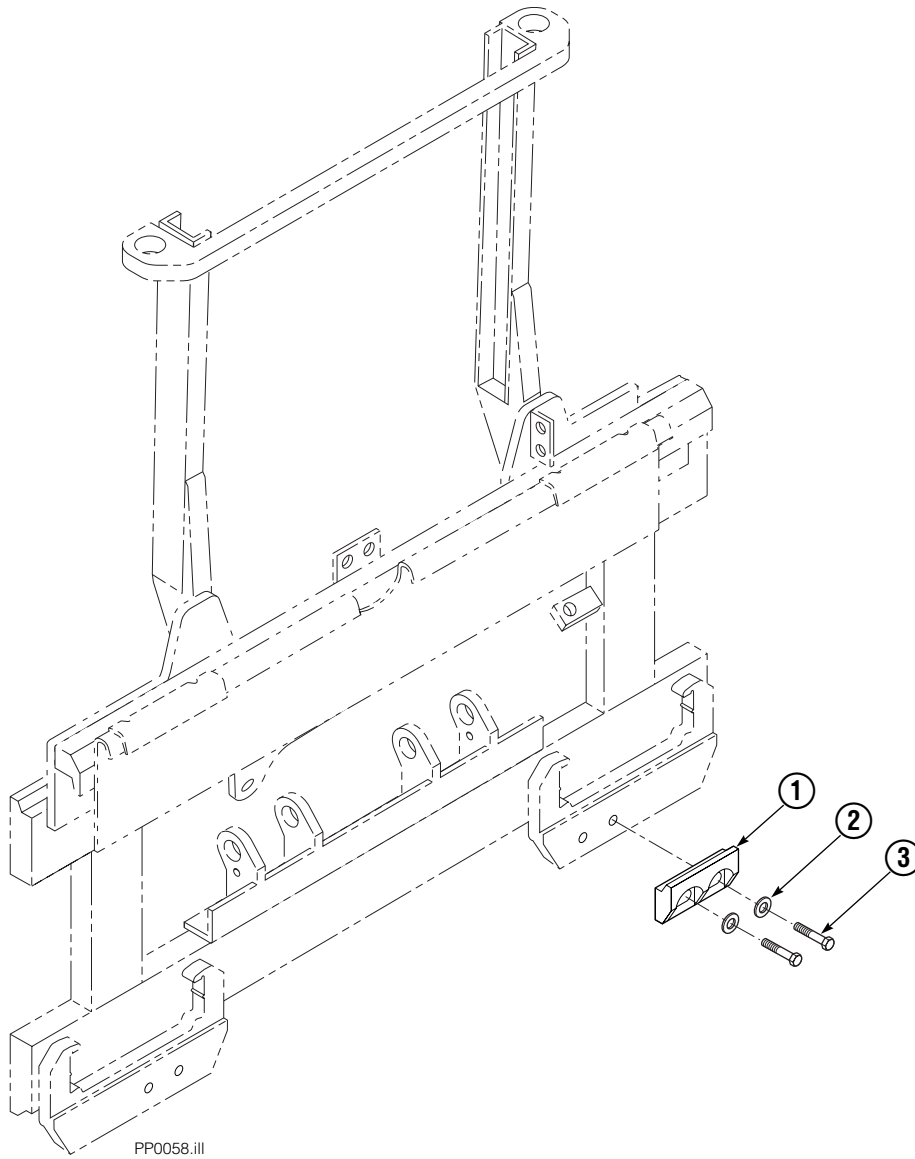


SS0086.eps

REF	QTY	PART NO.	DESCRIPTION
		675548	Cylinder Assembly
1	1	553857	Nut
2	1	636851	■ Wiper
3	1	553501	Piston
4	1	662452	■ Seal
5	1	638247	■ Back-up Ring
6	1	641835	■ Seal
7	1	675549	Shell
8	1	553499	Rod
9	1	2785	■ O-Ring
10	1	615128	■ Back-up Ring
11	1	553500	Retainer
12	1	553856	Retaining Ring
13	1	7202	Retaining Ring
		553861	Service Kit

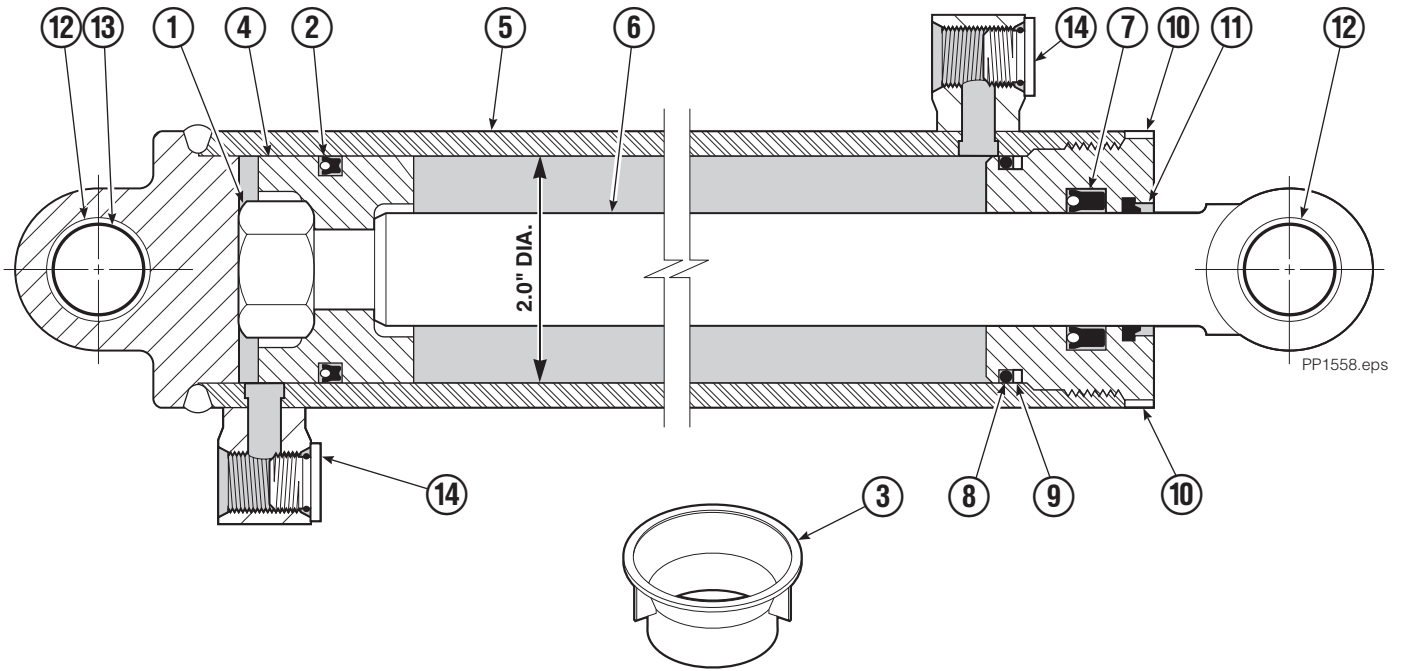
■ Included in Service Kit 553861.

# Bolt-On Lower Hook Group ITA II



35E/45E			
REF	QTY	PART NO.	DESCRIPTION
		683178	Lower Hook Group
1	2	679360	Hook
2	4	667225	Washer, .625
3	4	779010	Capscrew, M16 x 35

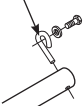
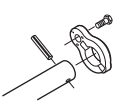
# Cylinder Assembly

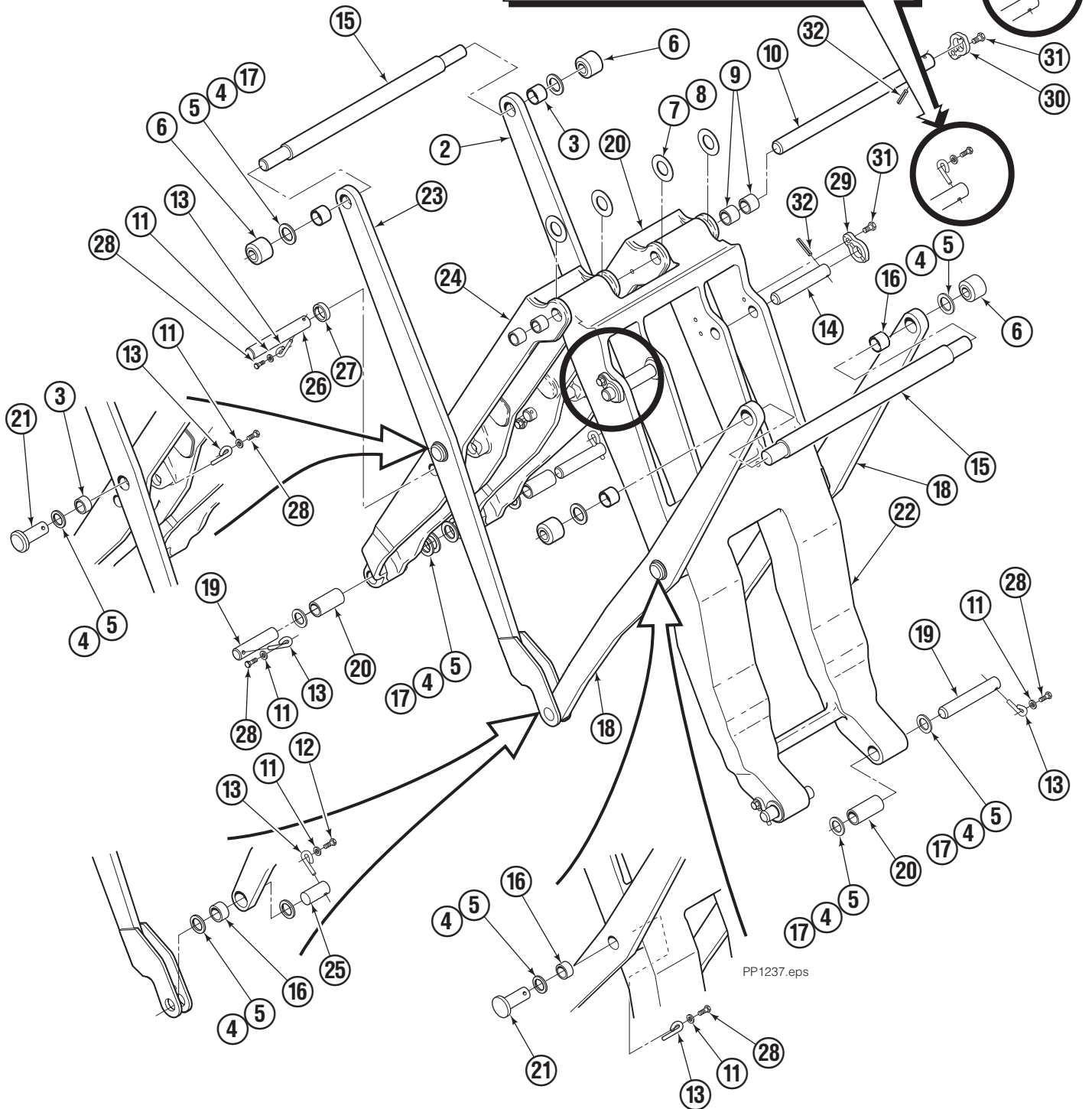


35E			
REF	QTY	PART NO.	DESCRIPTION
		582635	Cylinder Assembly
1	1	678019	Nut
2	1	564158	◆ Seal
3	1	671047	◆ Seal Loader Kit
4	1	564160	Piston
5	1	562716	Shell
6	1	558626	Rod
7	1	662448	◆ Seal
8	1	2785	◆ O-Ring
9	1	615128	◆ Back-Up Ring
10	1	559696	Retainer
11	1	636853	◆ Wiper
12	4	559697	Bearing
13	1	559698	Spacer
14	2	604510	Fitting, 6
		562338	Cylinder Service Kit

◆ Included in Service Kit 562338.

# Mechanism Group

Eyepins	If eyepins in noted locations need replacement, order Service Kit 6051665. The kit includes three new pin retainers, roll pins and capscrews.	Service Kit
		



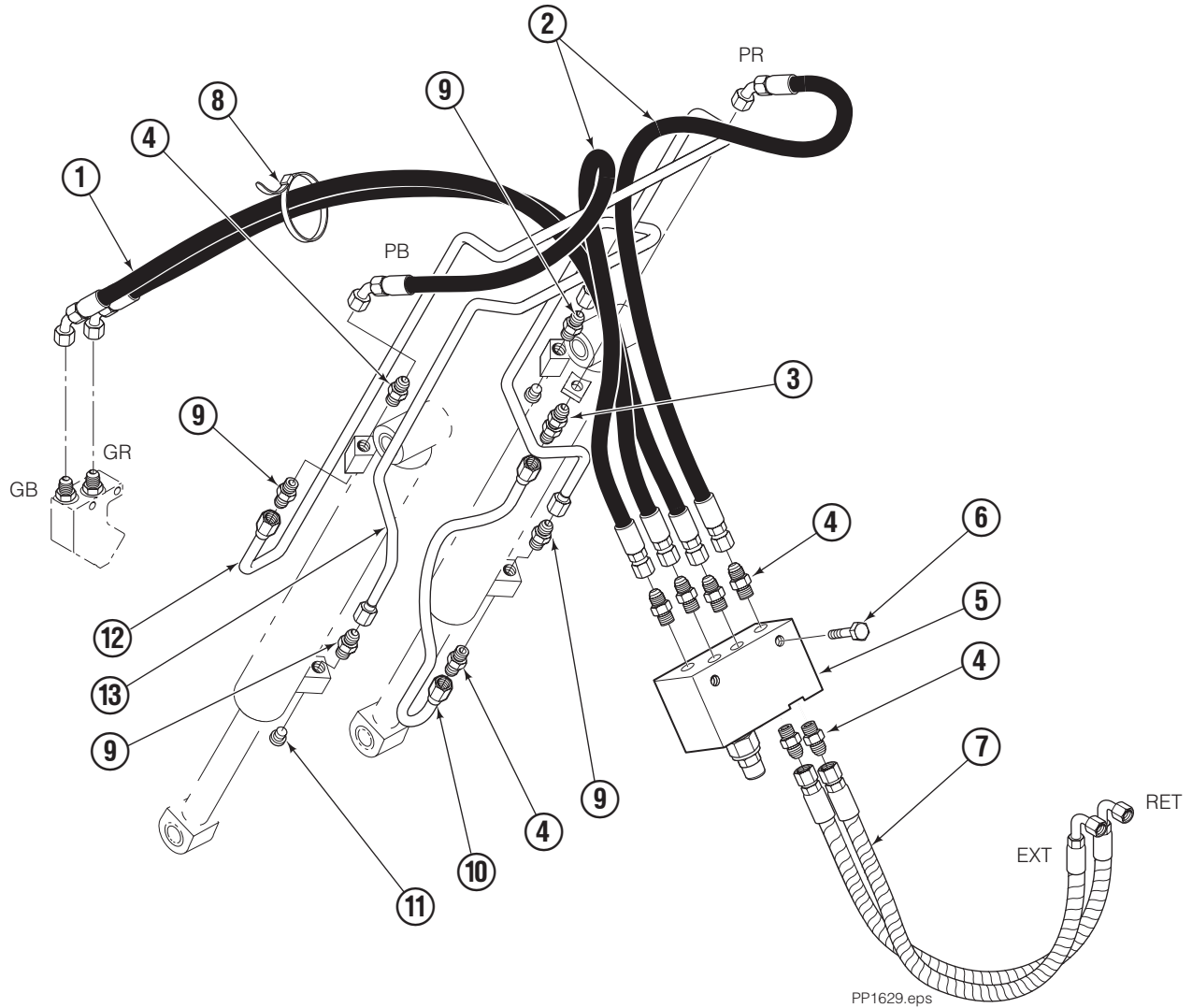
PP1237.eps

# Mechanism Group

35E/45E			
REF	QTY	PART NO.	DESCRIPTION
		204644	Mechanism Group
1	1	204691	Arm – Inner Secondary RH
2	1	204692	Arm – Secondary Outer RH
3	4	683154	Bushing ■
4	●	683161	Shim (.030)
5	●	683162	Shim (.060)
6	4	205070	Roller
7	●	683163	Shim (.030)
8	●	683164	Shim (.060)
9	4	683155	Bushing ■
10	1	682821	Pin – Primary/Secondary Inner
11	12	6229	Washer
12	2	685661	Capscrew, M8 x 14
13	12	6020429	Eye Pin
14	2	682822	Pin – Head
15	2	205065	Pin
16	6	683153	Bushing ■
17	●	204532	Shim (.12)
18	2	204694	Arm – Outer Primary
19	4	204533	Pin – Frame
20	4	204535	Bushing ■
21	4	204695	Pin – Primary Outer
22	1	204604	Arm – Inner Primary
23	1	204693	Arm – Secondary Outer LH
24	1	204690	Arm – Inner Secondary LH
25	2	204696	Pin – Outer
26	2	682823	Pin – Rod
27	2	683165	Spacer
28	10	767961	Capscrew, M8 x 16
29	2	6045015	Retainer ◆ (or)
	2	6050227	Retainer ◆★
30	1	6047125	Retainer ◆ (or)
	1	6050414	Retainer ◆★
31	3	6047151	Capscrew, M8 x 16 ★
32	3	7913	Roll Pin ★

- Quantity as required.
- Included in Bushing Service Kit 205076.
- ◆ Confirm part number cast on retainer.
- ★ Included in Service Kit 6051665.

# Hydraulic Group - ITA Class II

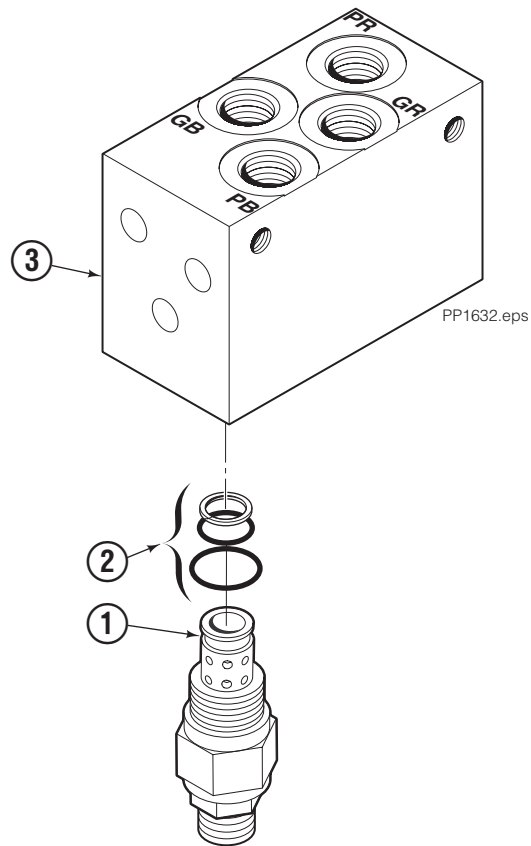


35E/45E							
REF	QTY	PART NO.	DESCRIPTION	REF	QTY	PART NO.	DESCRIPTION
		6086064	Hydraulic Group	7	2	685978	Hose, 19.40 in.
1	1	685831	Hose, Twinline, 39.60 in.	8	2	684956	Cable Tie
2	2	683173	◆ Hose, 15.50 in.	9	4	605235	◆ Fitting, 5-6
3	1	2375	◆ Fitting, 6-6	10	1	200647	◆ Tube
4	2	604511	◆ Fitting, 6-6	11	2	604510	Plug
	6	604511	Fitting, 6-6	12	1	200649	◆ Tube
5	1	6085925	Valve ■	13	1	200648	◆ Tube
6	2	787373	◆ Capscrew, M8 x 25				

■ See Valve Assembly page for parts breakdown.

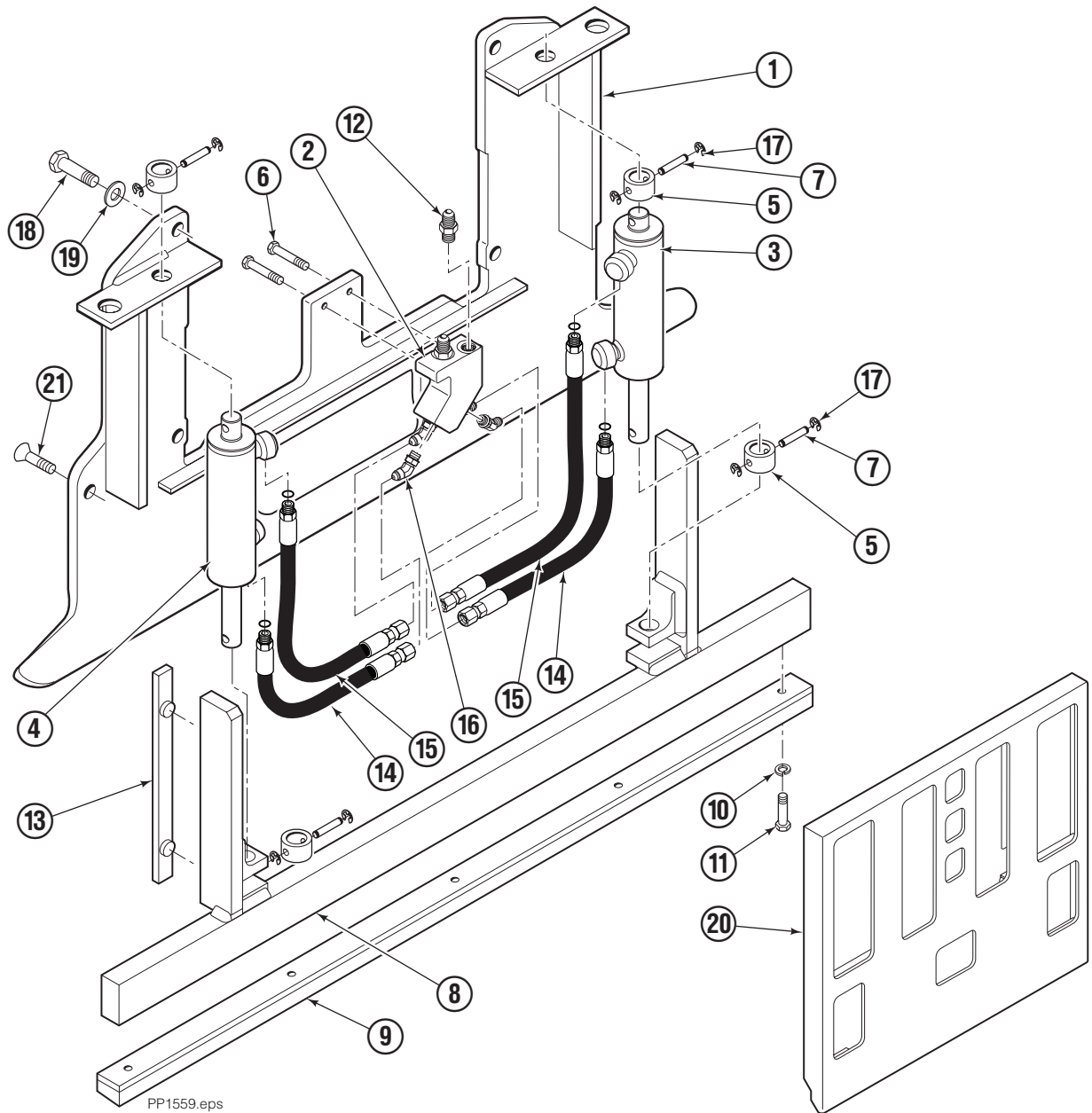
◆ Included in Hydraulic Components Group 200581-R6.  
Reference: SK-5385, 5386.

# Valve Assembly



REF	QTY	PART NO.	DESCRIPTION
		6085925	Valve Assembly
1	1	6045016	Relief Valve
2	1	682170	Service Kit
3	1	6085927	Valve Body

# Faceplate Group



## 35E/45E

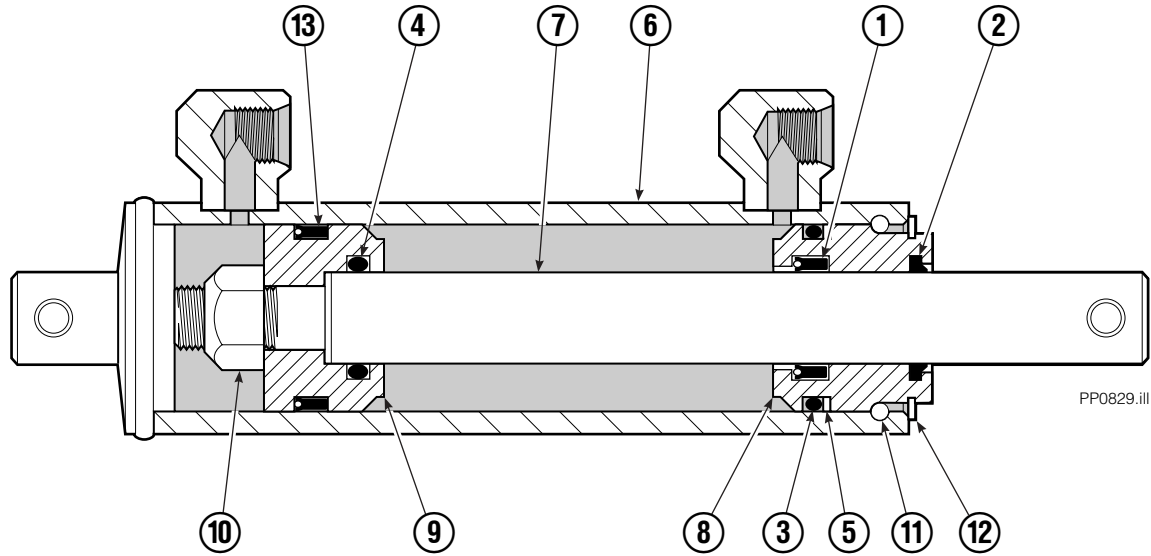
REF	QTY	PART NO.	DESCRIPTION	REF	QTY	PART NO.	DESCRIPTION
		6019140	Faceplate Group (R3)	11	5	787375	Capscrew, M8 x 20
		6020440	Gripper Jaw Assembly (R5) ●	12	2	604511	Fitting, 6-6
1	1	206396	Gripper Jaw	13	2	686573	Bearing
2	1	6002134	Valve	14	2	6002138	Hose, 315 mm
3	1	6020444	Gripper Cylinder, LH ◆	15	2	6002139	Hose, 450 mm
4	1	6020443	Gripper Cylinder, RH ◆	16	4	617918	Fitting, 4-4
5	4	6020462	Collar	17	8	669894	Retaining Ring
6	2	787373	Capscrew, M8 x 20	18	4	225346	Capscrew, M16 x 60
7	4	6014089	Pin	19	4	675620	Washer
8	1	6002135	Gripper Bar	20	1	6002142	Faceplate, 40 x 40 in. ■
9	1	672712	Gripper Pad	21	2	768714	Capscrew, M16 x 60
10	5	680253	Lockwasher, M8				

◆ See Gripper Cylinder page for parts breakdown.

■ Width x height.

● Includes items 1-17.

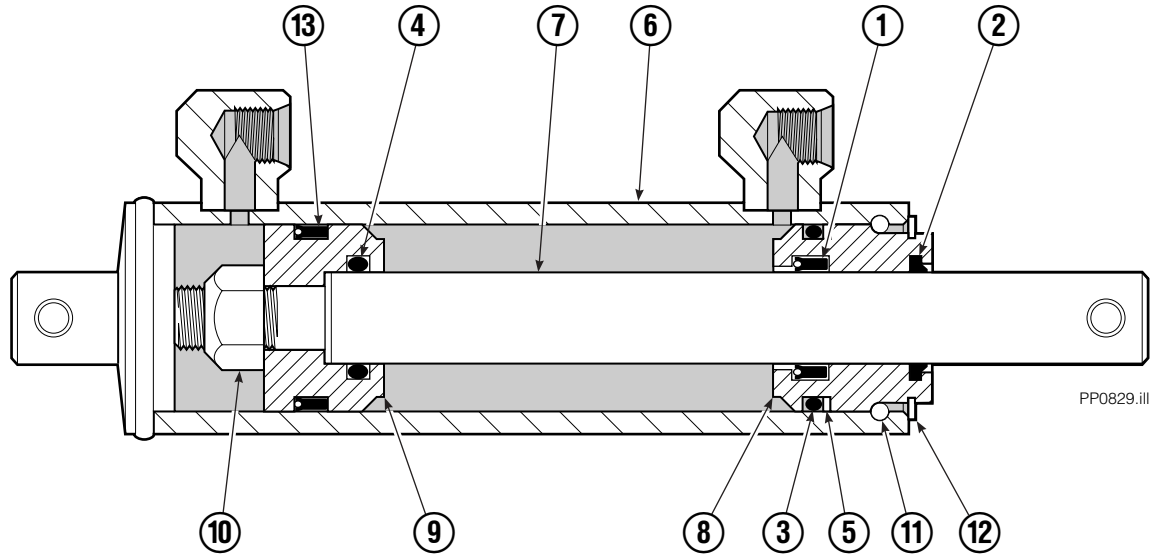
# Gripper Cylinder Left Hand



REF	QTY	PART NO.	DESCRIPTION
		6020444	Gripper Cylinder – LH
1	1	646540	▼ Seal
2	1	636850	▼ Wiper
3	1	2718	▼ O-Ring
4	1	2710	▼ O-Ring
5	1	615122	▼ Back-Up Ring
6	1	6020453	Shell
7	1	6020461	Rod
8	1	685664	Retainer
9	1	685665	Piston
10	1	563462	Nut
11	1	563916	Ring
12	1	3137	Ring
13	1	663728	▼ Piston Seal

▼ Included in Service Kit 684827.

# Gripper Cylinder Right Hand



REF	QTY	PART NO.	DESCRIPTION
		6020443	Gripper Cylinder – RH
1	1	646540	▼ Seal
2	1	636850	▼ Wiper
3	1	2718	▼ O-Ring
4	1	2710	▼ O-Ring
5	1	615122	▼ Back-Up Ring
6	1	6020452	Shell
7	1	6020461	Rod
8	1	685664	Retainer
9	1	685665	Piston
10	1	563462	Nut
11	1	563916	Ring
12	1	3137	Ring
13	1	663728	▼ Piston Seal

▼ Included in Service Kit 684827.



**Do you have questions you need answered right now?** Call your nearest Cascade Parts Department. Visit us online at [www.cascorp.com](http://www.cascorp.com)

**Cascade Corporation  
U.S. Headquarters**  
2201 NE 201st  
Fairview, OR 97024-9718  
Tel: 800-CASCADE (227-2233)  
FAX: 888-329-8207

**Cascade Canada Inc.**  
5570 Timberlea Blvd.  
Mississauga, Ontario  
Canada L4W-4M6  
Tel: 905-629-7777  
FAX: 905-629-7785

**Cascade GmbH**  
Niederwippekühl 1  
58579 Schalksmühle  
Germany  
Tel: 02355-50900  
FAX: 02355-509020

**Cascade Finland**  
A. Petreliuksenkatu 3  
01370 Vantaa  
Finland  
Tel: 09-8361925  
FAX: 09-8361935

**Cascade N.V.  
Benelux Sales and Service**  
Damsluisweg 56  
PO Box 3009  
1300 El Almere  
The Netherlands  
Tel: 036-5492950  
FAX: 036-5492974

**Cascade Kenhar Ltd.**  
3 Kelbrook Road  
Parkhouse Ind. Estate  
Openshaw,  
Manchester M11 2DD  
England  
Tel: 0800-243015  
FAX: 0161-4384055

**Sales Scotland  
Macade Systems Ltd.**  
18 Melford Road  
Righead Ind. Estate  
Bellshill ML4 3LR  
Scotland  
Tel: 01698-845777  
FAX: 01698-845888

**Cascade (Africa) Pty. Ltd.**  
PO Box 625, Isando 1600  
60A Steel Road  
Sparton, Kempton Park  
South Africa  
Tel: 27-11-975-9240  
FAX: 27-11-394-1147

**Cascade Scandinavia AB**  
Hammarvägen 10  
PO Box 124  
S-56723 Vaggeryd  
Sweden  
Tel: 039-336950  
FAX: 039-336959

**Cascade France  
S.A.R.L. MHP**  
1D Rue De Charaintru BP 18,  
91360 Epinay-Sur-Orge  
France  
Tel: 01-6454-7500  
FAX: 01-6454-7501

**Cascade Hispania S.A.**  
Carrer 5, Sector C  
Zona Franca Duanera  
Poligono de la Zona Franca  
08040 Barcelona, Spain  
Tel: 93-264-07-30  
FAX: 93-264-07-31

**Cascade Italia S.R.L.**  
Via Dell'Artigianato 1  
37050 Vago di Lavagno (VR)  
Italy  
Tel: 39-045-8989111  
FAX: 39-045-8989160

**Movimenta Lda.**  
Parque Industrial  
Vale do Alecrim, Lote 108  
2950-403 Palmela  
Portugal  
Tel: 351-212387340  
FAX: 351-212387349

**Sales Switzerland  
Fahrzeugbedarf**  
8810, Horgen  
Switzerland  
Tel: 01-7279797  
FAX: 01-7279798

**Sales Poland**  
Targowa 35/61  
03-728 Warszawa  
Tel: 022-619 00 49  
FAX: 022-619 00 49  
Mobile Tel: 0501-27 29 55

**Sales Russia**  
EMCG Material Handling  
Equipment  
Moscow  
Tel: 095-795-2400  
FAX: 095-795-2475  
Email: [emcg@emcg.ru](mailto:emcg@emcg.ru)

**Cascade Japan Ltd.**  
5-5-41,  
Torikai Kami  
Settsu, Osaka  
Japan, 566  
Tel: 81-726-53-3490  
FAX: 81-726-53-3497

**Cascade Korea**  
121B 9L Namdong Ind.  
Complex, 691-8 Gojan-Dong  
Namdong-Ku  
Inchon, 405-310 Korea  
Tel: 82-32-821-2051  
FAX: 82-32-821-2055

**Cascade Australia**  
1445 Ipswich Road  
Rocklea, QLD 4107  
Australia  
Tel: 1-800-227-223  
FAX: 617-3373-7333

**Cascade New Zealand**  
15 Ra Ora Drive  
East Tamaki, Auckland  
New Zealand  
Tel: 64-9-273-9136  
FAX: 64-9-273-9137

**Cascade-Xiamen**  
No. 668 Yangguang Rd.  
Xinyang Industrial Zone  
Haicang, Xiamen City  
Fujian Province  
P.R. China 361026  
Tel: 86-592-651-2500  
FAX: 86-592-651-2571

**Sunstream Industries  
Pte Ltd.**  
No. 3 Tuas Link 1  
2263  
Singapore  
Tel: 65-6863-3488  
FAX: 65-6863-1368

**Cascade do Brasil  
Distribuidora de Garras  
e Garfos LTDA**  
Rua João Guerra, 134  
Macuco, Santos - SP  
Brasil 11015-130  
Tel: 55-13-2105-8800  
Fax: 55-13-2105-8899

