



# Parts Manual

---

Model Single-Double Pallet Handler

Catalog Number 55E-FDS-1) &

---

**cascade**®  
**corporation**

For Technical Assistance call: 800-227-2233, Fax: 888-329-8207

To Order Parts call: 888-227-2233, Fax: 888-329-0234

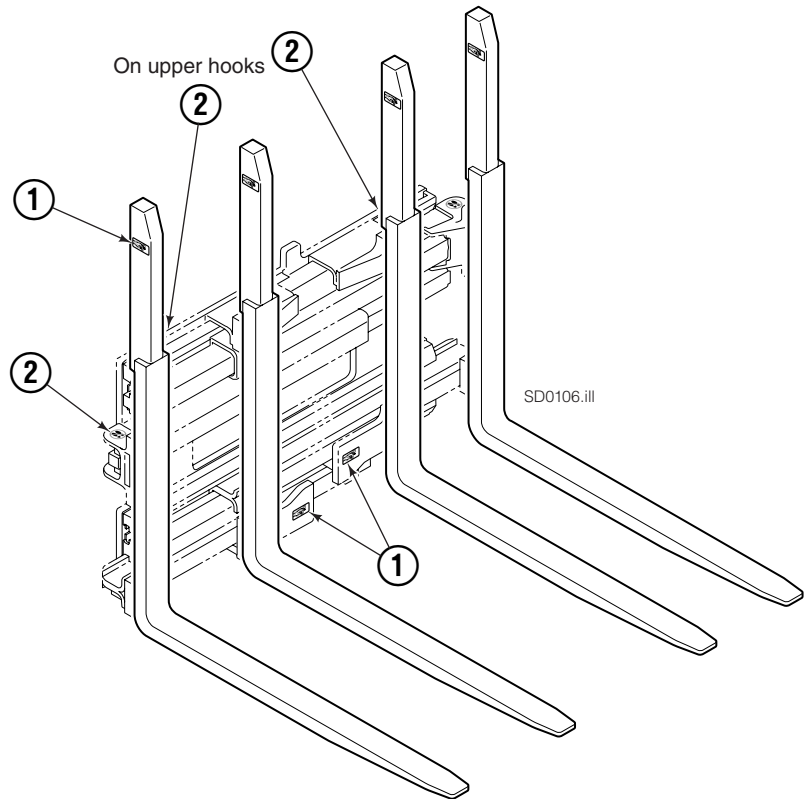
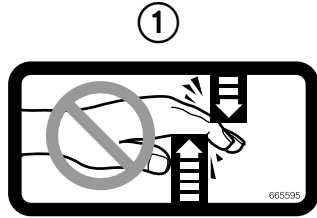
OR

Write: Cascade Corporation, P.O. Box 20187, Portland, OR 97220

Internet: [www.cascorp.com](http://www.cascorp.com)

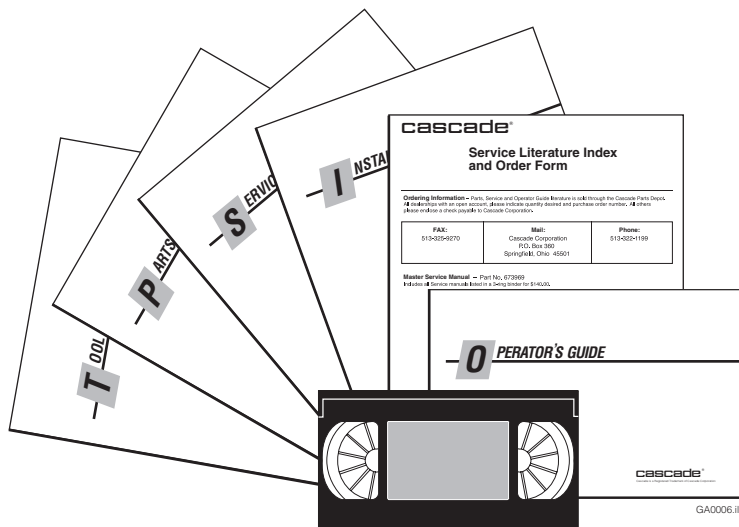


# Safety Decals



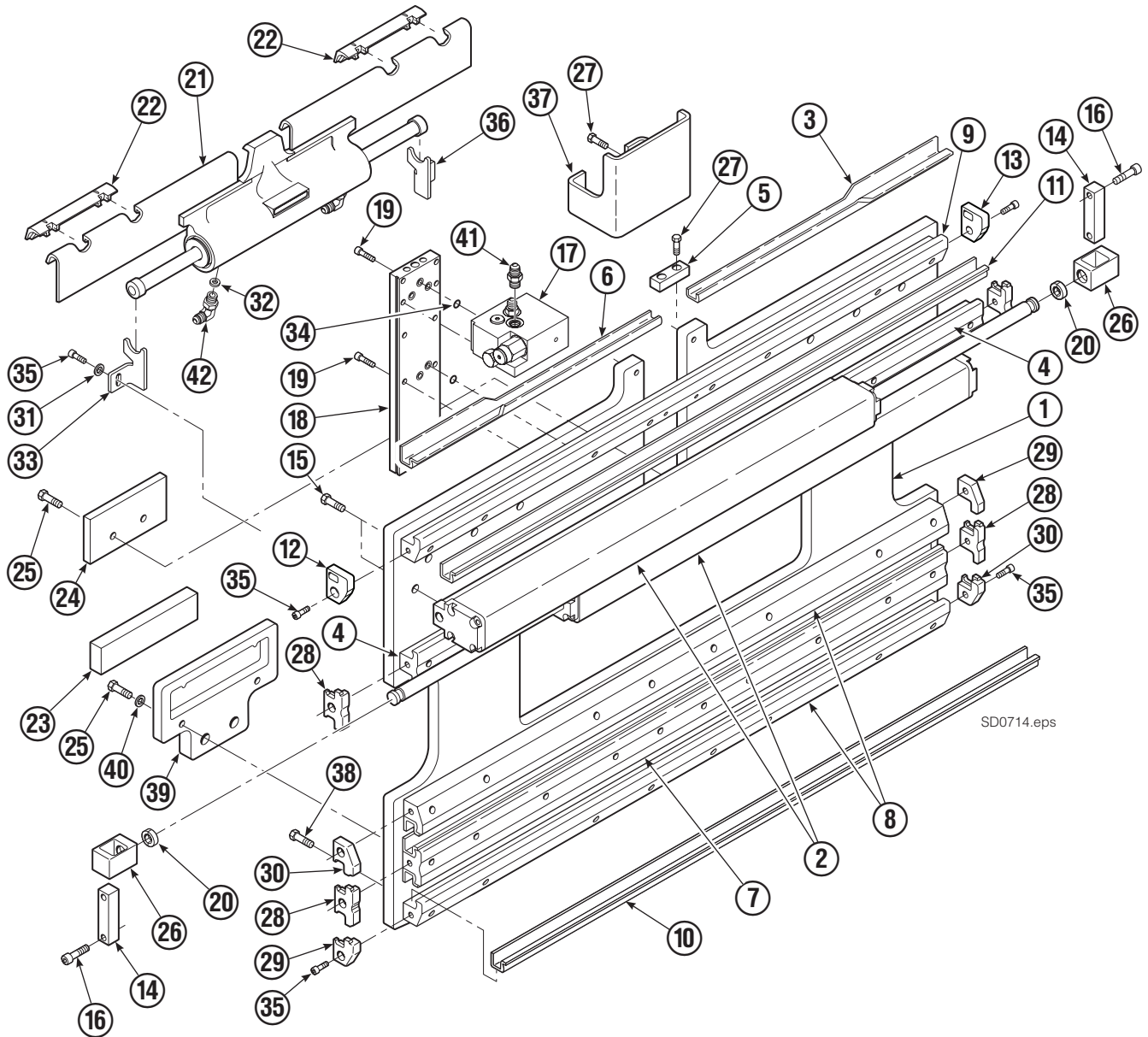
55E			
REF	QTY	PART NO.	DESCRIPTION
1	6	665595	No Hand Hold Decal
2	4	679150	No Step Decal

# Publications



55E	
215793	Service Manual
213580	Operator's Guide
213372	Installation Instructions
679929	Tool Catalog
673964	Literature Index Order Form

# Base Unit Group - ITA Class II



# Base Unit Group - ITA Class II

55E			
REF	QTY	PART NO.	DESCRIPTION
		6115067	Base Unit Group - Class II
1	1	6115073	Baseplate (S-20006)
2	2	6115074	Frame Cylinder ▼
3	1	4786-0488	Bearing Segment - LH
4	2	6115076	T-Bar - Upper (S-28323)
5	1	6101993	Fork Stop
6	1	4787-0488	Bearing Segment - RH
7	1	6116813	T-Bar - Lower (S-28324)
8	2	6116815	T-Bar - Lower (S-28325)
9	1	6116808	T-Bar - Upper (S-28322)
10	4	4730-1040	Bearing Segment
11	4	4730-1050	Bearing Segment

▼ See Frame Cylinder page for parts breakdown.  
Reference: SK-12083.

REF	QTY	PART NO.	DESCRIPTION	REF	QTY	PART NO.	DESCRIPTION
		6110804	Common Parts Group	27	4	648649	CapscREW, M10 x 25
12	1	211380	Retainer/Stop - RH	28	4	210140	Bearing Retainer
13	1	211379	Retainer/Stop - LH	29	2	212585	Bearing Retainer
14	2	210489	■ Rod End Anchor	30	2	212586	Bearing Retainer
15	22	211689	CapscREW, M12 x 30	31	2	787398	Washer
16	4	768303	■ CapscREW, M10 x 35	32	1	564226	Restrictor Washer
17	1	216838	Valve Assembly ▲	33	1	213737	Bracket - RH
18	1	211456	Manifold	34	7	214053	O-Ring
19	10	768208	CapscREW, M8 x 25	35	12	787375	CapscREW, M8 x 20 GR 8.8
20	4	210490	■ Retainer Half Ring	36	1	213736	Bracket - LH
21	1	205842	Sideshift Cylinder ●	37	1	6007050	Valve Guard
22	2	204187	Upper Bearing	38	30	214487	CapscREW, M12 x 40
23	2	208350	Lower Bearing	39	2	215226	Hanger
24	2	212709	Spacer Block	40	4	787383	Lockwasher, M10
25	8	767615	CapscREW, M10 x 25	41	2	604511	◆ Fitting, 6-6
26	2	209741	■ Rod End	42	2	601676	◆ Fitting, 6-6

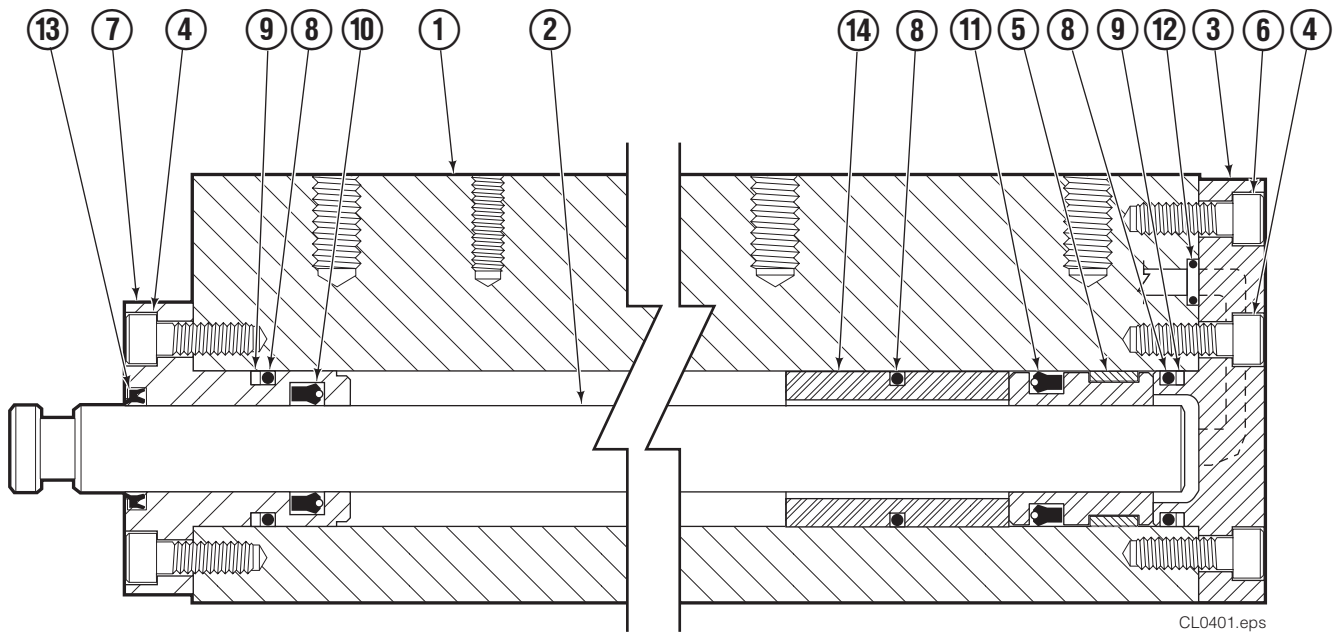
■ Included in Cylinder Rod Anchor Kit 213856.

▲ See Valve Assembly page for parts breakdown.

● See Sideshift Cylinder page for parts breakdown.

◆ Included in Fitting Group 213099.

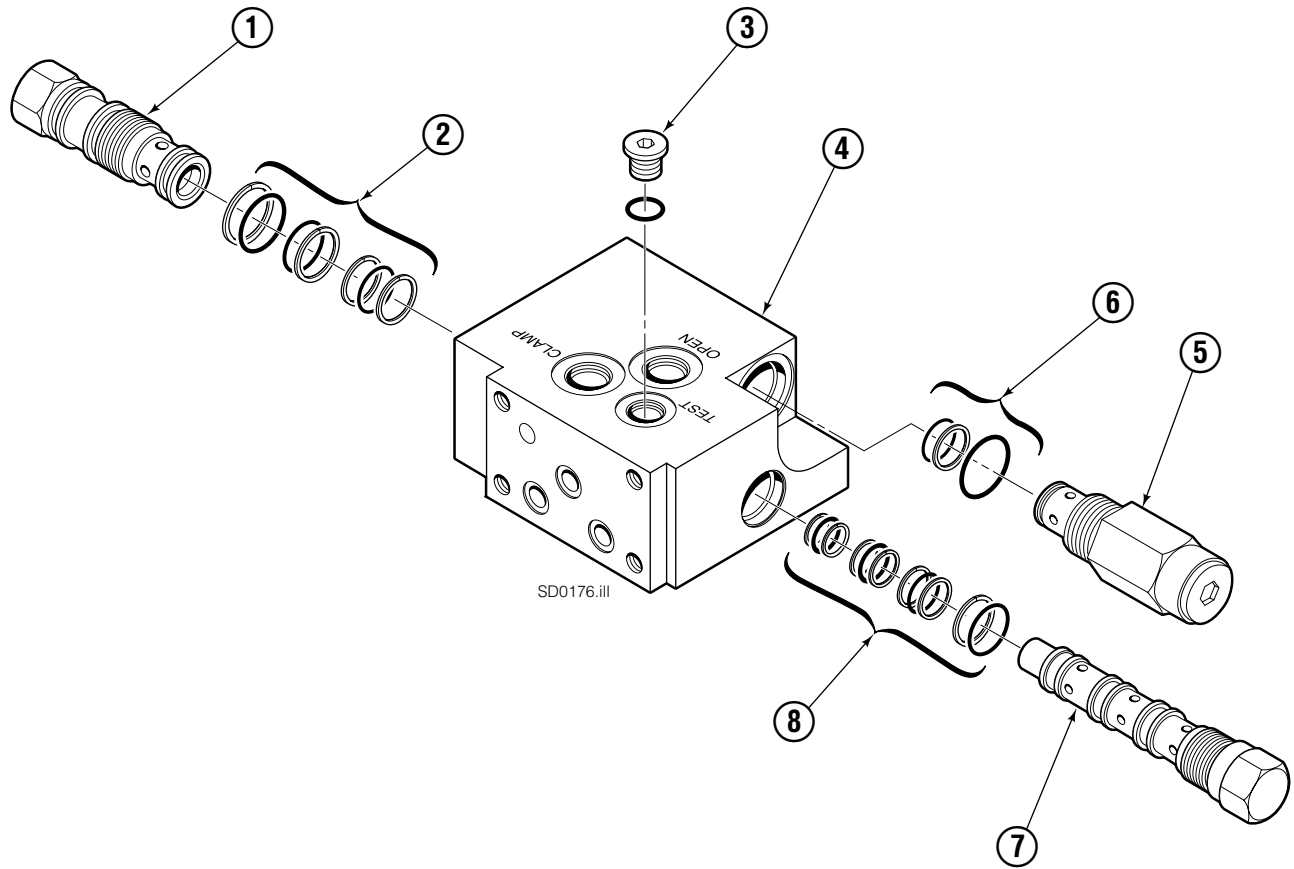
# Frame Cylinder



55E			
REF	QTY	PART NO.	DESCRIPTION
		6115074	Cylinder Assembly
1	1	6115075	Cylinder/Shell
2	1	4157-0813	Rod
3	1	213783	End Cap
4	8	768208	Capscrew, M8 x 25
5	1	209809	◆ Bearing
6	1	787375	Capscrew, M8 x 20
7	1	212452	Retainer
8	3	643379	◆ O-Ring
9	2	210050	◆ Back-Up Ring
10	1	212477	◆ Seal
11	1	209808	◆ Seal
12	1	214053	◆ O-Ring
13	1	562131	◆ Wiper
14	1	-	Spacer – Rod
		210090	Service Kit

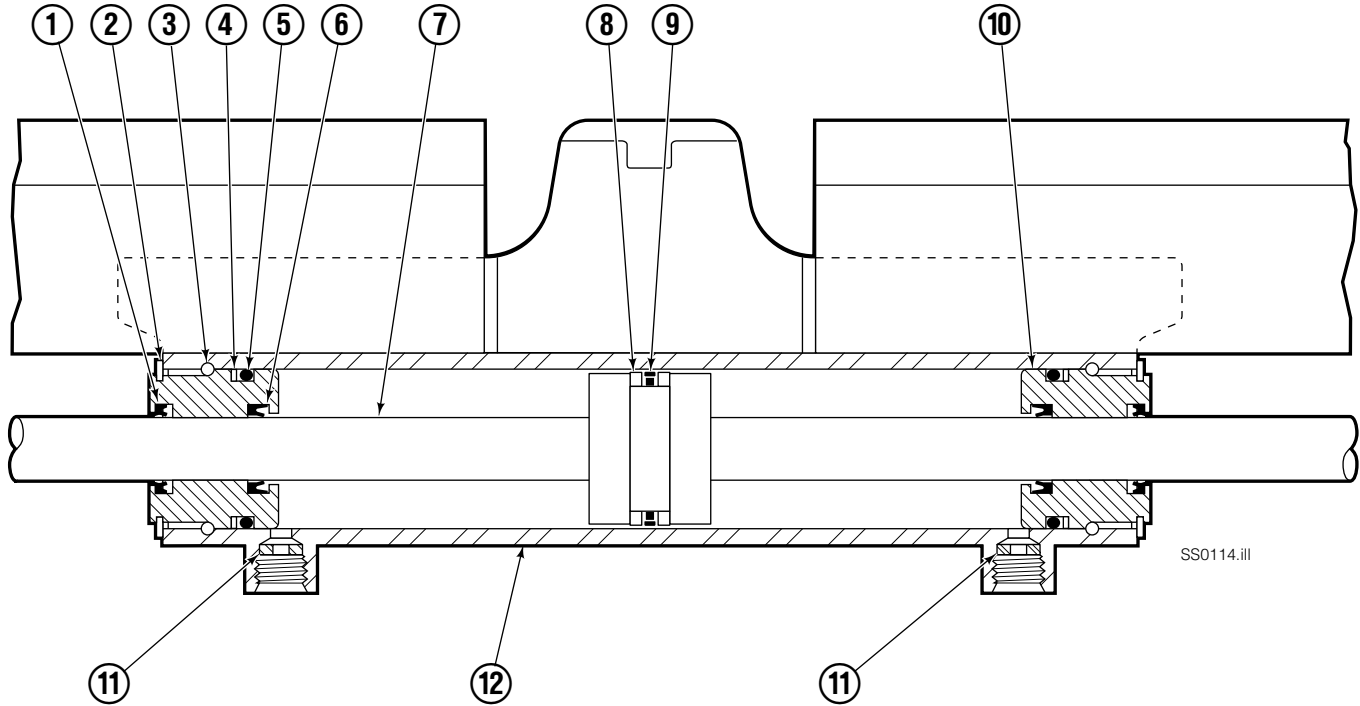
◆ Included in Service Kit 210090.  
Reference: S-4643, S-4644.

# Valve ITA Class III



55E			
REF	QTY	PART NO.	DESCRIPTION
		216838	Valve Assembly
1	1	219039	Check Valve
2	1	—	Service Kit
3	1	609234	Plug
4	1	216839	Valve Body
5	1	213535	Crossover Relief Valve
6	1	682170	Service Kit
7	1	219040	Flow Divider/Combiner
8	1	—	Service Kit

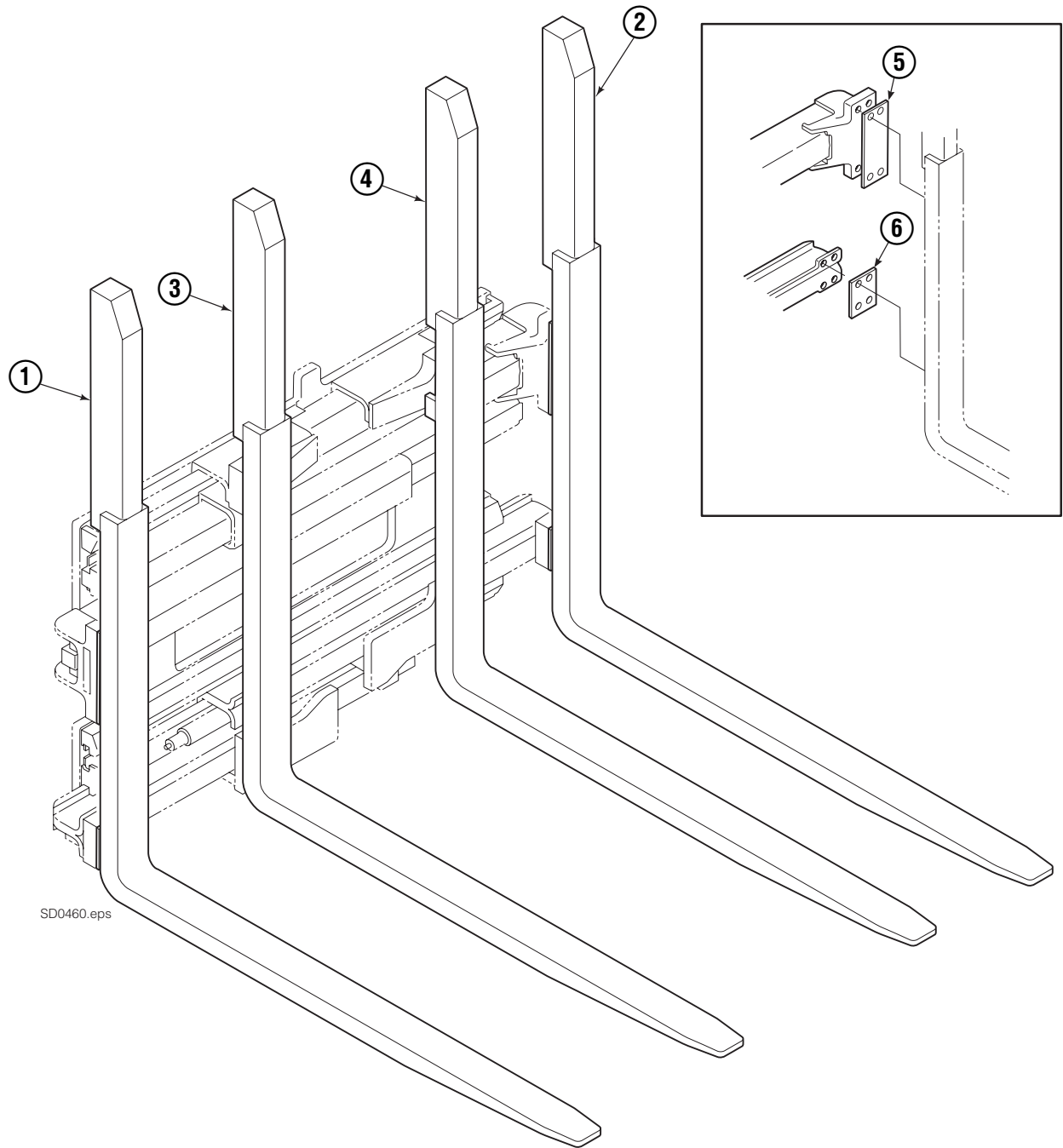
# Sideshift Cylinder ITA Class II



55E			
REF	QTY	PART NO.	DESCRIPTION
		205842	Cylinder Assembly
1	2	562131	● Wiper Seal
2	2	562951	Snap Ring
3	2	562942	Retaining Ring
4	2	563388	● Back-Up Ring
5	2	562127	● O-Ring
6	2	562132	● Rod Seal
7	1	562055	Rod
8	2	563278	● Bearing Ring
9	1	564141	● Piston Seal
10	2	562792	Retainer
11	2	564226	Speed Control Washer ▲
12	-	■	Cylinder Shell
		563487	Service Kit

- Included in Service Kit 563487.
- Not serviceable, order new cylinder assembly.
- ▲ Reference: Restrictor Group 205369.

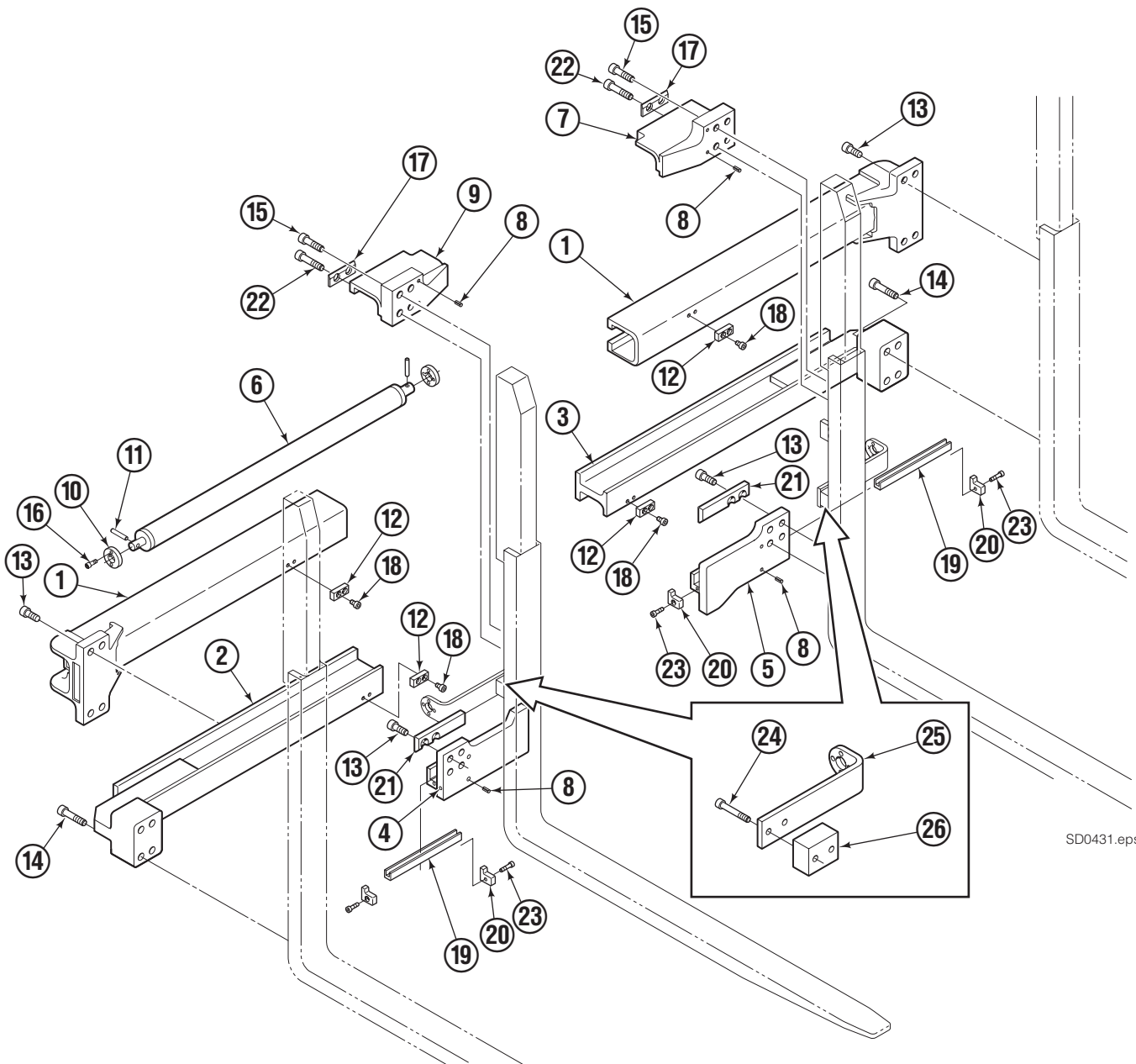
# Tube Backrest/Fork Group



SD0460.eps

55E			
REF	QTY	PART NO.	DESCRIPTION
		6115051	Fork Group
1	1	6115053	Outer Fork-RH
2	1	6115052	Outer Fork-LH
3	1	6115055	Inner Fork-RH
4	1	6115054	Inner Fork-LH
5	2	393138	Spacer (Upper Hook)
6	2	393137	Spacer (Lower Hook)

# Arm Group



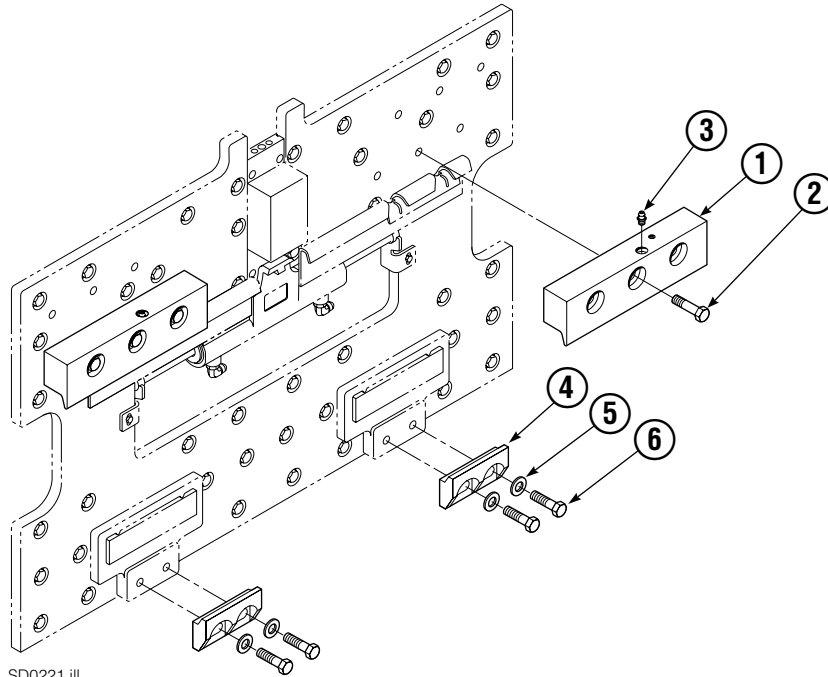
SD0431.eps

# Arm Group

55E			
REF	QTY	PART NO.	DESCRIPTION
		6115066	Arm Group
1	2	6115068	Upper Arm Bar
2	1	6115057	Lower Arm Bar - RH
3	1	6115056	Lower Arm Bar - LH
4	1	6115070	Lower Hook - RH
5	1	6115069	Lower Hook - LH
6	1	6111736	Spring Cylinder
7	1	6110789	Upper Hook - LH
8	4	769014	Roll Pin
9	1	6110790	Upper Hook - RH
10	2	6003311	Retainer
11	2	6110442	Pin, M6 x 32
12	4	212687	Fork Stop
13	8	769575	Capscrew, M16 x 40
14	8	769574	Capscrew, M16 x 35
15	4	769577	Capscrew, M16 x 50
16	4	787375	Capscrew, M8 x 20
17	2	6110402	Bearing Plate
18	8	214414	Capscrew, M10 x 12
19	2	4501-0222	Bearing Segment
20	4	225345	Bearing Retainer
21	2	213899	Bearing
22	12	682073	Capscrew, M16 x 70
23	4	787375	Capscrew, M8 x 20
24	4	768814	Capscrew, M10 x 60
25	2	28258-0216	Bracket
26	2	6113096	Spacer
27	2	210587	Spacer
28	4	797610	Spacer

Reference: Common Parts Group 6115084 R2.  
S-28207, S-28214, S-28343, S-28357, S-28358.

# Mounting Group ITA Class II



SD0221.ill

55E			
REF	QTY	PART NO.	DESCRIPTION
		212569	Upper Hook Group ▲
		211173	Lower Hook Group ★
1	2	210591	Upper Hook
2	6	751511	Capscrew, M16 x 55
3	2	7403	Grease Fitting
4	2	675968	Lower Hook
5	4	667225	Washer
6	4	751511	Capscrew, M16 x 55

▲ Includes items 1 & 2.

★ Includes items 4-6.

Reference: SK-6373.



**Do you have questions you need answered right now?** Call your nearest Cascade Parts Department. Visit us online at [www.cascorp.com](http://www.cascorp.com)

**Cascade Corporation  
U.S. Headquarters**  
2201 NE 201st  
Fairview, OR 97024-9718  
Tel: 800-CASCADE (227-2233)  
FAX: 888-329-8207

**Cascade Canada Inc.**  
5570 Timberlea Blvd.  
Mississauga, Ontario  
Canada L4W-4M6  
Tel: 905-629-7777  
FAX: 905-629-7785

**Cascade GmbH**  
Niederwippekühl 1  
58579 Schalksmühle  
Germany  
Tel: 02355-50900  
FAX: 02355-509020

**Cascade Finland**  
A. Petreliuksenkatu 3  
01370 Vantaa  
Finland  
Tel: 09-8361925  
FAX: 09-8361935

**Cascade N.V.  
Benelux Sales and Service**  
Damsluisweg 56  
PO Box 3009  
1300 El Almere  
The Netherlands  
Tel: 036-5492950  
FAX: 036-5492974

**Cascade Kenhar Ltd.**  
3 Kelbrook Road  
Parkhouse Ind. Estate  
Openshaw,  
Manchester M11 2DD  
England  
Tel: 0800-243015  
FAX: 0161-4384055

**Sales Scotland  
Macade Systems Ltd.**  
18 Melford Road  
Righead Ind. Estate  
Bellshill ML4 3LR  
Scotland  
Tel: 01698-845777  
FAX: 01698-845888

**Cascade (Africa) Pty. Ltd.**  
PO Box 625, Isando 1600  
60A Steel Road  
Sparton, Kempton Park  
South Africa  
Tel: 27-11-975-9240  
FAX: 27-11-394-1147

**Cascade Scandinavia AB**  
Hammarvägen 10  
PO Box 124  
S-56723 Vaggeryd  
Sweden  
Tel: 039-336950  
FAX: 039-336959

**Cascade France  
S.A.R.L. MHP**  
1D Rue De Charaintru BP 18,  
91360 Epinay-Sur-Orge  
France  
Tel: 01-6454-7500  
FAX: 01-6454-7501

**Cascade Hispania S.A.**  
Carrer 5, Sector C  
Zona Franca Duanera  
Poligono de la Zona Franca  
08040 Barcelona, Spain  
Tel: 93-264-07-30  
FAX: 93-264-07-31

**Cascade Italia S.R.L.**  
Via Dell'Artigianato 1  
37050 Vago di Lavagno (VR)  
Italy  
Tel: 39-045-8989111  
FAX: 39-045-8989160

**Movimenta Lda.**  
Parque Industrial  
Vale do Alecrim, Lote 108  
2950-403 Palmela  
Portugal  
Tel: 351-212387340  
FAX: 351-212387349

**Sales Switzerland  
Fahrzeugbedarf**  
8810, Horgen  
Switzerland  
Tel: 01-7279797  
FAX: 01-7279798

**Sales Poland**  
Targowa 35/61  
03-728 Warszawa  
Tel: 022-619 00 49  
FAX: 022-619 00 49  
Mobile Tel: 0501-27 29 55

**Sales Russia**  
EMCG Material Handling  
Equipment  
Moscow  
Tel: 095-795-2400  
FAX: 095-795-2475  
Email: [emcg@emcg.ru](mailto:emcg@emcg.ru)

**Cascade Japan Ltd.**  
2-23, 2-Chome,  
Kukuchi Nishimachi  
Amagasaki, Hyogo  
Japan, 661-0978  
Tel: 81-726-53-3490  
FAX: 81-726-53-3497

**Cascade Korea**  
121B 9L Namdong Ind.  
Complex, 691-8 Gojan-Dong  
Namdong-Ku  
Inchon, 405-310 Korea  
Tel: 82-32-821-2051  
FAX: 82-32-821-2055

**Cascade Australia**  
1445 Ipswich Road  
Rocklea, QLD 4107  
Australia  
Tel: 1-800-227-223  
FAX: 617-3373-7333

**Cascade New Zealand**  
15 Ra Ora Drive  
East Tamaki, Auckland  
New Zealand  
Tel: 64-9-273-9136  
FAX: 64-9-273-9137

**Cascade-Xiamen**  
No. 668 Yangguang Rd.  
Xinyang Industrial Zone  
Haicang, Xiamen City  
Fujian Province  
P.R. China 361026  
Tel: 86-592-651-2500  
FAX: 86-592-651-2571

**Sunstream Industries  
Pte Ltd.**  
No. 3 Tuas Link 1  
2263  
Singapore  
Tel: 65-6863-3488  
FAX: 65-6863-1368

**Cascade do Brasil  
LTDA**  
Rua João Guerra, 134  
Macuco, Santos - SP  
Brasil 11015-130  
Tel: 55-13-2105-8800  
Fax: 55-13-2105-8899

