



Parts Manual

30D QFM™ Quick Fork Mount Push/Pull

Serial Numbers 677190 through 679154

Manual Number 677712 R-1

cascade®

Cascade is a Registered Trademark of Cascade Corporation • QFM is a Trademark of Cascade Corporation

HOW TO USE THIS MANUAL

Introduction

This manual illustrates service replacement parts for standard production Cascade 30D QFM™ Push/Pull attachments.

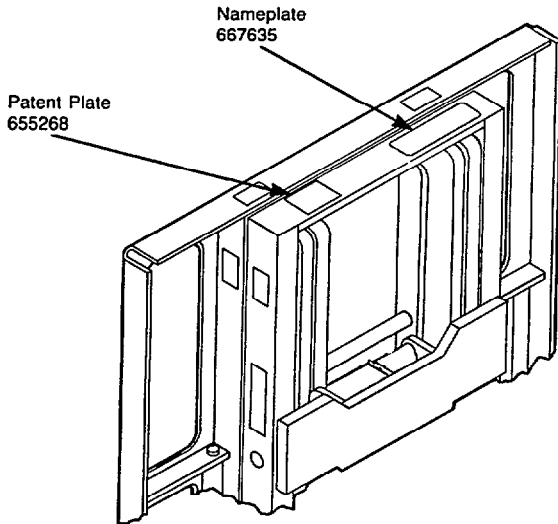
The parts manuals for attachments designed by the Application Engineering Department have an A.E.D. designation on the cover of the manual.

This standard attachment manual is not interchangeable with an A.E.D. Manual since it does not reflect the special engineering of an A.E.D. attachment.

To locate a replacement part for a standard attachment, follow the steps below.

1. Locate Nameplate

The nameplate is attached to the right top of the frame. If the nameplate is missing, all necessary information is stamped into the frame at the same location.



2. Note the Serial Number and Additional Equipment

Record the complete Serial Number and the six-digit numbers of the Additional Equipment stamped on the nameplate. See the example.

3. Refer to the Serial Number Index

Locate your Serial Number in the Base Unit Serial Number Index on the following page.

IMPORTANT: If any of your Additional Equipment numbers are 300,000 numbers (example: 392017), then the attachment is a specially engineered A.E.D. attachment. **DO NOT USE THIS MANUAL TO ORDER PARTS FOR AN A.E.D. ATTACHMENT.** Contact Cascade Corporation to obtain the correct parts manual. You must supply the serial number and all additional equipment numbers to order the correct manual.

4. Ordering

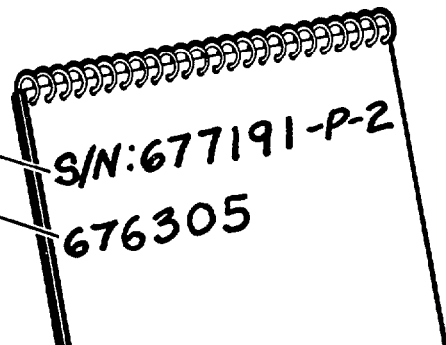
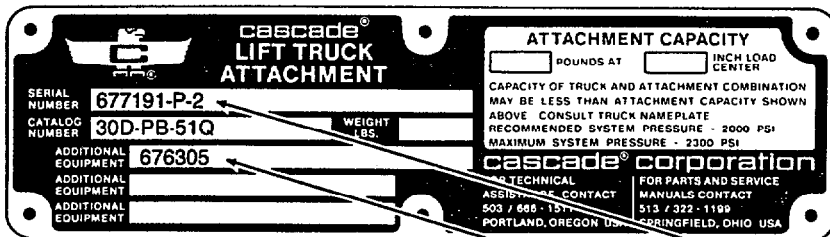
Retail Customers. Cascade Service Replacement Parts and Service Literature are sold through authorized lift truck dealers. To order, contact the lift truck dealer of your choice.

Lift Truck Dealers. To order Service Replacement Parts or Service Literature, contact:

Cascade Parts Depot
2501 Sheridan Avenue
P.O. Box 360
Springfield, Ohio 45505
(513) 322-1199
Telex: 279563
FAX: 1-513-325-9270

5. Parts Log

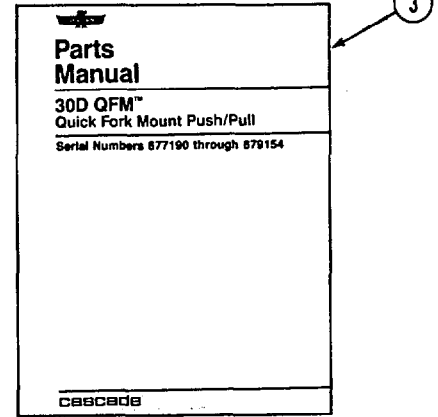
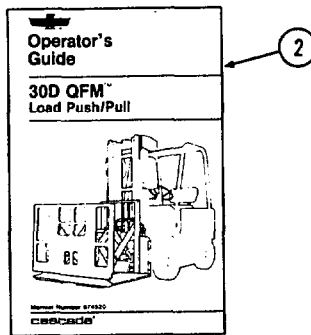
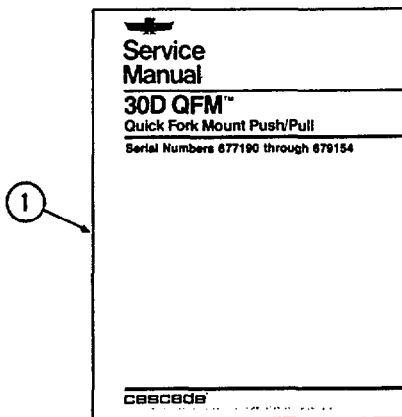
We have supplied a parts ordering log located on the last page. Use this log as a permanent record of parts ordered from this manual.



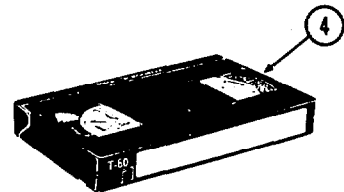
Serial Number Index

Serial Number (U.I.No.)	Model	Frame Group Page	Linkage Group Page	Faceplate Group Page	Push/Pull Cylinder Page	Gripper Cylinder Page	Valve Page	Platen Group Page	Backrest Group Page	Solenoid Group Page
677190	30D	1	3	5	6	7	8	9	11	12
677191	30D	1	3	5	6	7	8	9	11	12
677192	30D	1	3	5	6	7	8	9	11	12
679151	30D	1	2	4	6	7	8	9	11	12
679152	30D	1	2	4	6	7	8	9	11	12
679154	30D	1	2	4	6	7	8	9	11	12

Publications



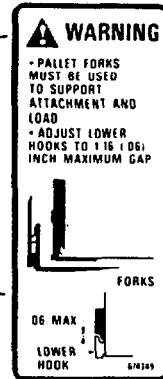
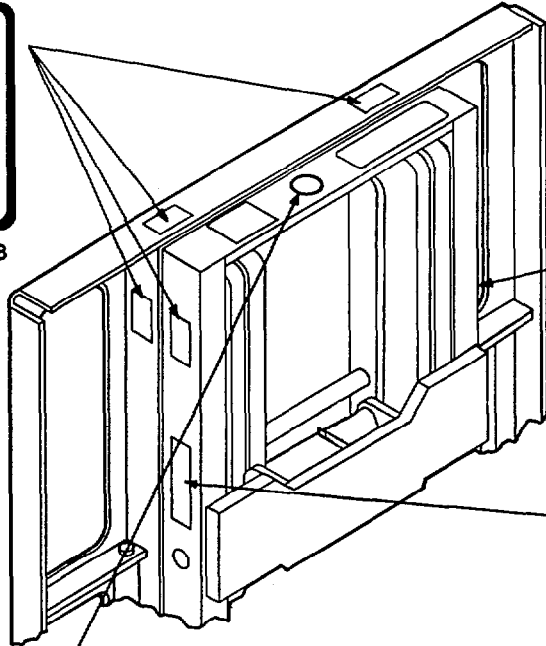
REF.	PART NO.	DESCRIPTION
1	674523 R-1	Service Manual
2	674520	Operator's Guide
3	677712 R-1	Parts Manual
4	677543	Driver Training Video - 3/4"
	677557	Driver Training Video - VHS
	677558	Driver Training Video - BETA



Decals



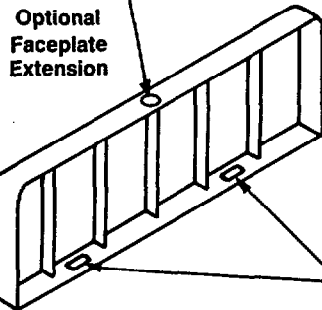
Part No. 656038
(6 places)



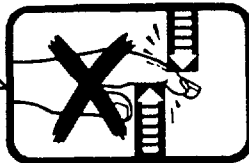
Part No. 674349
(2 places)



Part No. 679150
(2 places)



Optional
Faceplate
Extension

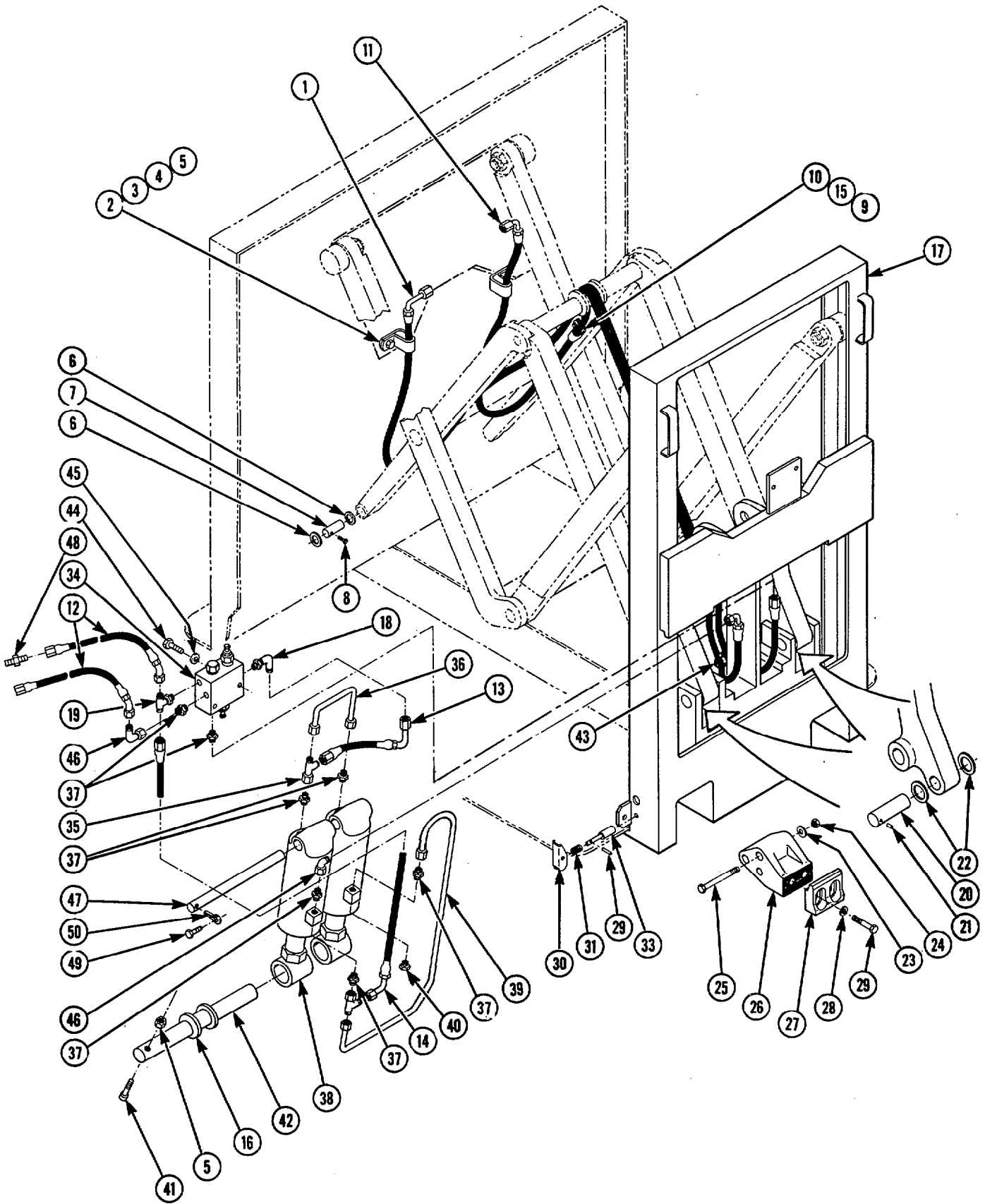


Part No. 665595
(2 places)

Recommended Spare Parts List

30D QFM PUSH/PULL				
PART NO.	DESCRIPTION	ATTACHMENTS SERVICED		
		1-5	6-19	20-50
	FRAME GROUP			
629311	Thrust Race	4	8	8
629312	Thrust Race	4	8	8
676067	Thrust Race	4	8	8
678252	Hook-Pivot	2	4	4
676280	Hook	2	4	4
4519	Hook Capscrew	4	8	8
677131	Hose	1	2	2
677197	Hose	1	2	2
677129	Hose	1	2	2
677132	Hose	1	2	2
677130	Hose	1	2	2
	LINKAGE GROUP			
674086	Cam Follower	4	8	8
674036	Bushing	2	4	4
629311	Thrust Race	18	36	36
674041	Bushing	2	4	4
674038	Bushing	6	12	12
675375	Bushing	4	8	8
676293	Spacer	2	4	4
676069	Shim (.03 in.)	5	10	10
676070	Shim (.06 in.)	5	10	10
	FACEPLATE GROUP			
7912	Roll Pin	2	4	4
7926	Roll Pin	2	4	4
672712	Gripper Pad	1	2	2
	VALVE			
677122	Valve Assembly	1	2	2
665597	Service Kit	2	4	4
667516	Service Kit	1	2	2
	PUSH/PULL CYLINDER			
555579	Cylinder Assembly	1	2	2
674037	Bushing	4	8	8
674042	Bushing	2	4	4
554989	Cylinder Service Kit	1	2	2
	GRIPPER CYLINDER			
674118	Cylinder Assembly	1	2	2
674221	Cylinder Service Kit	1	2	2
	PLATEN GROUP			
550218	Nut	8	16	16
4671	Capscrew	8	16	16
	PAINT, CASCADE YELLOW			
668209	12 oz. Aerosol Can	1	1	1
	PUBLICATIONS			
674523	Service Manual	1	1	1
674520	Operator's Guide	1	1	1
677712	Parts Manual	1	1	1
	TRAINING VIDEO			
677543	Driver Training Video - 3/4"	1	1	1
677557	Driver Training Video - VHS	1	1	1
677558	Driver Training Video - BETA	1	1	1

Frame Group

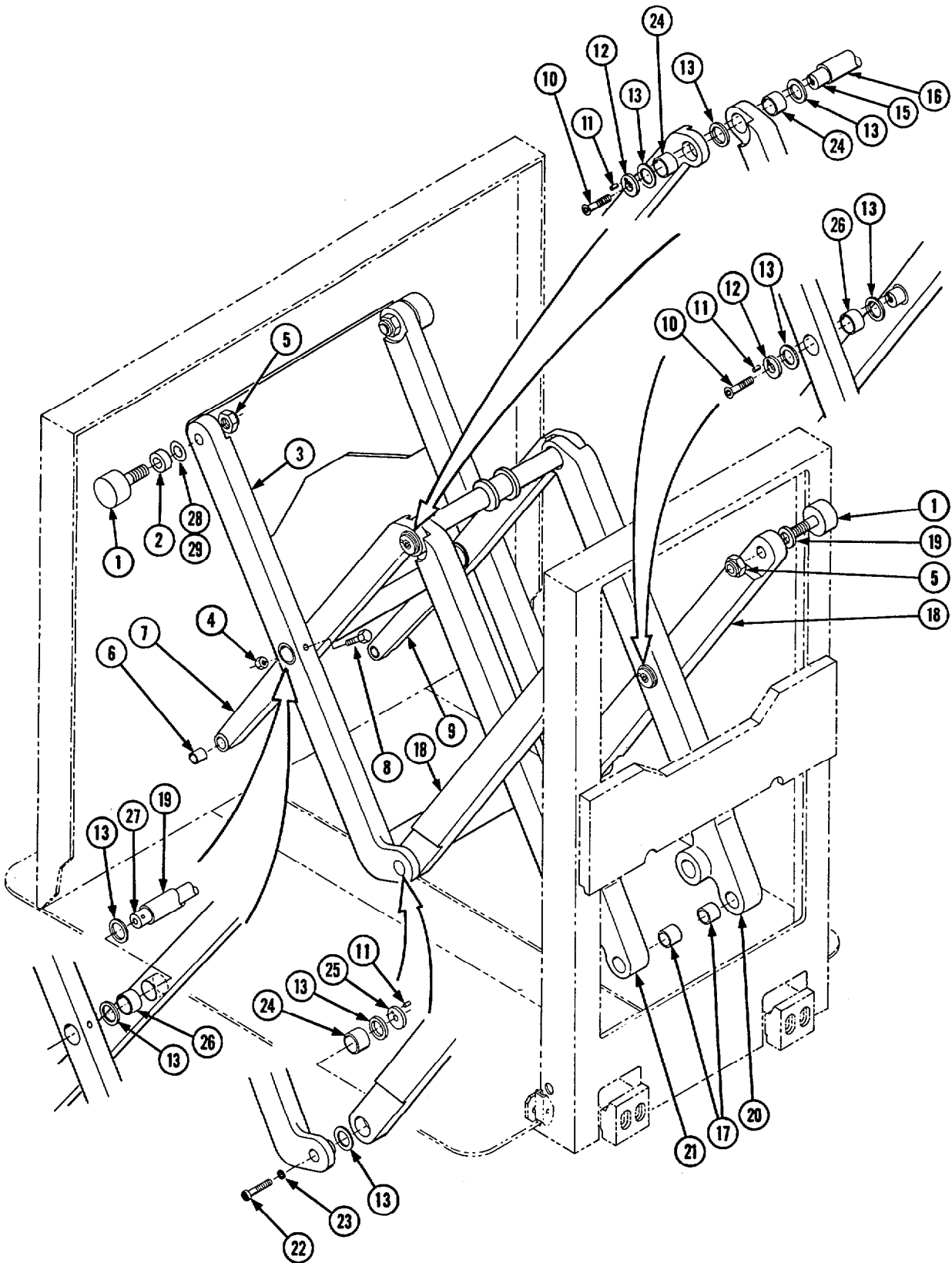


Frame Group

30D			
REF	QTY	PART NO	DESCRIPTION
		677119	Frame Group
1	1	677130	Hose
2	2	6201	Washer
3	2	674335	Clamp
4	2	4731	Capscrew, 1/4 NC x .75 GR8
5	3	645986	Nut, 1/4 NC
6	■	629312	Thrust Race (.06 in.)
	■	676067	Thrust Race (.03 in.)
7	2	677144	Pin
8	2	3580	Capscrew, 5/16 NC x 1.75
9	2	674217	Capscrew, 5/16 NC x .75 GR5
10	2	6202	Washer
11	1	677131	Hose
12	2	677197	Hose
13	1	667129	Hose
14	1	677132	Hose
15	2	677187	Clamp
16	1	675405	Guide
17	1	677120	Frame
18	1	601676	Fitting, 6-6
19	1	611311	Fitting, 6-6
20	2	674046	Pin
21	2	7920	Roll Pin
22	4	629311	Thrust Race
23	2	6290	Lockwasher
24	2	5904	Nut, 1/2 NC
25	2	4519	Capscrew, 1/2 NC x 6.00 GR8
26	2	678252	Pivot Hook
27	2	676280	Hook
28	4	667910	Washer
29	4	643538	Capscrew, 1/2 NC x 1.50 GR8
30	2	622897	Handle
31	2	622908	Spring
32	2	8007	Rivet
33	2	676164	Pin
★34	1	677122	Valve
35	2	611329	Fitting, 6-6
36	1	677127	Tube
37	7	604511	Fitting, 6-6
●38	2	555579	Push/Pull Cylinder
39	1	677128	Tube
40	1	604510	Plug
41	1	643508	Capscrew, 1/4 NC x 3.00 GR8
42	1	675390	Pin
43	2	649085	Cable Tie
44	2	3560	Capscrew, 1/4 NC x 2.25
45	2	6286	Lockwasher
46	1	2680	Fitting, 6-6
47	1	674043	Pin
48	2	611288	Fitting, 6-6
49	1	674057	Capscrew, 1/4 NC x .625 GR5
50	1	6548	Cotter Pin

- As required.
- See page 6 for parts breakdown.
- ★ See page 8 for parts breakdown.

Linkage Group

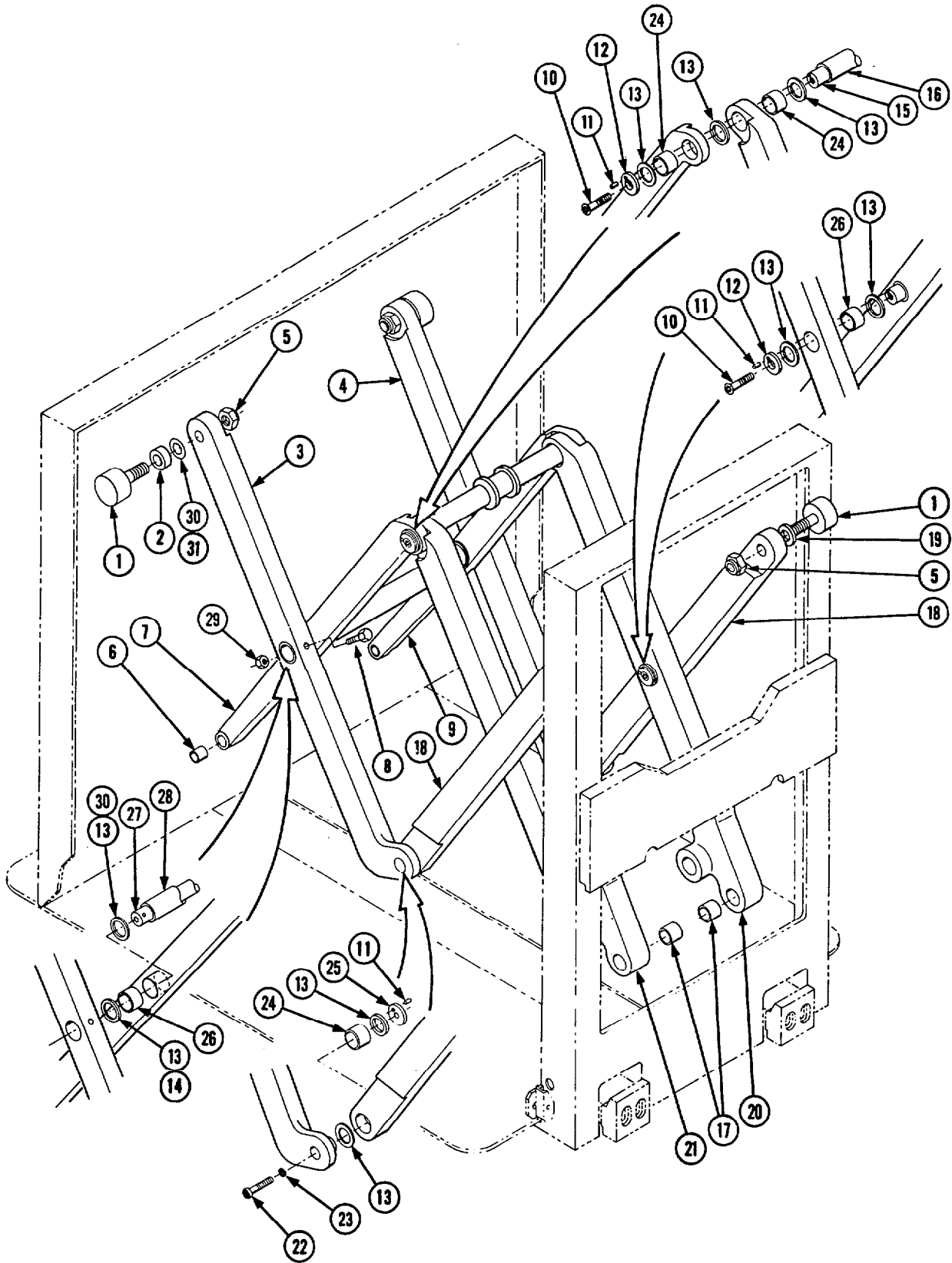


Linkage Group

30D			
REF	QTY	PART NO	DESCRIPTION
		679155	Linkage Group
1	4	674086	Cam Follower
2	4	676293	Spacer
3	1	679168	Secondary Link - Outer
4	1	645986	Nut
5	4	678608	Nut
6	2	674036	Bushing
7	1	679165	Secondary Link - L.H. Inner
8	1	643507	Capscrew, 1/2 NC x 2.75 GR8
9	1	679167	Secondary Link - R.H. Inner
10	4	674322	Capscrew, 3/8 NC x .75 GR5
11	6	7878	Roll Pin
12	4	674321	Cap
13	●	629311	Thrust Race
14	●	676068	Thrust Race
15	1	675386	Pivot Pin
16	1	675486	Tube
17	2	674041	Bushing
18	2	675376	Primary Link - Outer
19	1	675388	Tube
20	1	679161	Primary Link - R.H Inner
21	1	679156	Primary Link - L.H. Inner
22	2	4472	Capscrew, 3/8 NC x 1.50
23	2	6372	Lockwasher
24	6	674038	Bushing
25	2	677988	Cap
26	4	675375	Bushing
27	1	675387	Pivot Pin
28	●	676069	Shim (.03 in.)
29	●	676070	Shim (.06 in.)

● As required.

Linkage Group

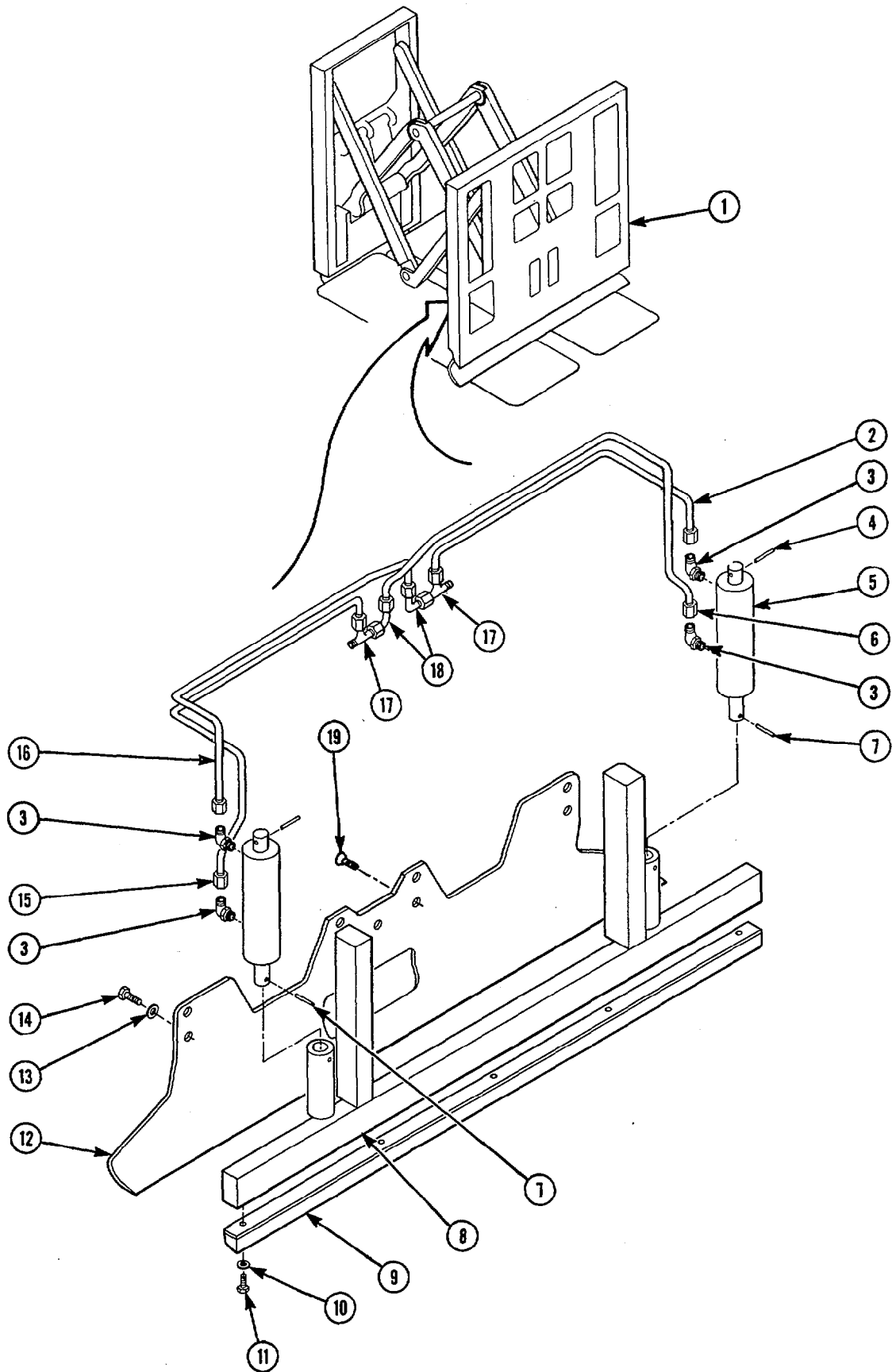


Linkage Group

30D			
REF	QTY	PART NO	DESCRIPTION
		675360	Linkage Group
1	4	674086	Cam Follower
2	2	676293	Spacer
3	1	675378	Secondary Link - L.H. Outer
4	1	675383	Secondary Link - R.H. Outer
5	4	678608	Nut, 7/8 NF
6	2	674036	Bushing
7	1	675372	Secondary Link - L.H. Inner
8	2	643507	Capscrew, 1/2 NC x 2.75 GR8
9	1	675374	Secondary Link - R.H. Inner
10	4	674322	Capscrew, 3/8 NC x .75 GR5
11	6	7878	Roll Pin
12	4	674321	Cap
13	●	629311	Thrust Race
14	●	676068	Thrust Race
15	1	675386	Pivot Pin
16	1	675486	Tube
17	2	674041	Bushing
18	2	675376	Primary Link - Outer
19	2	676292	Spacer
20	1	675368	Primary Link - R.H Inner
21	1	675361	Primary Link - L.H. Inner
22	2	4472	Capscrew, 3/8 NC x 1.50
23	2	6372	Lockwasher
24	6	674038	Bushing
25	2	677988	Cap
26	4	675375	Bushing
27	1	675387	Pivot Pin
28	1	675388	Tube
29	2	645986	Nut
30	●	676069	Shim (.03 in.)
31	●	676070	Shim (.06 in.)

● As required.

Faceplate Group

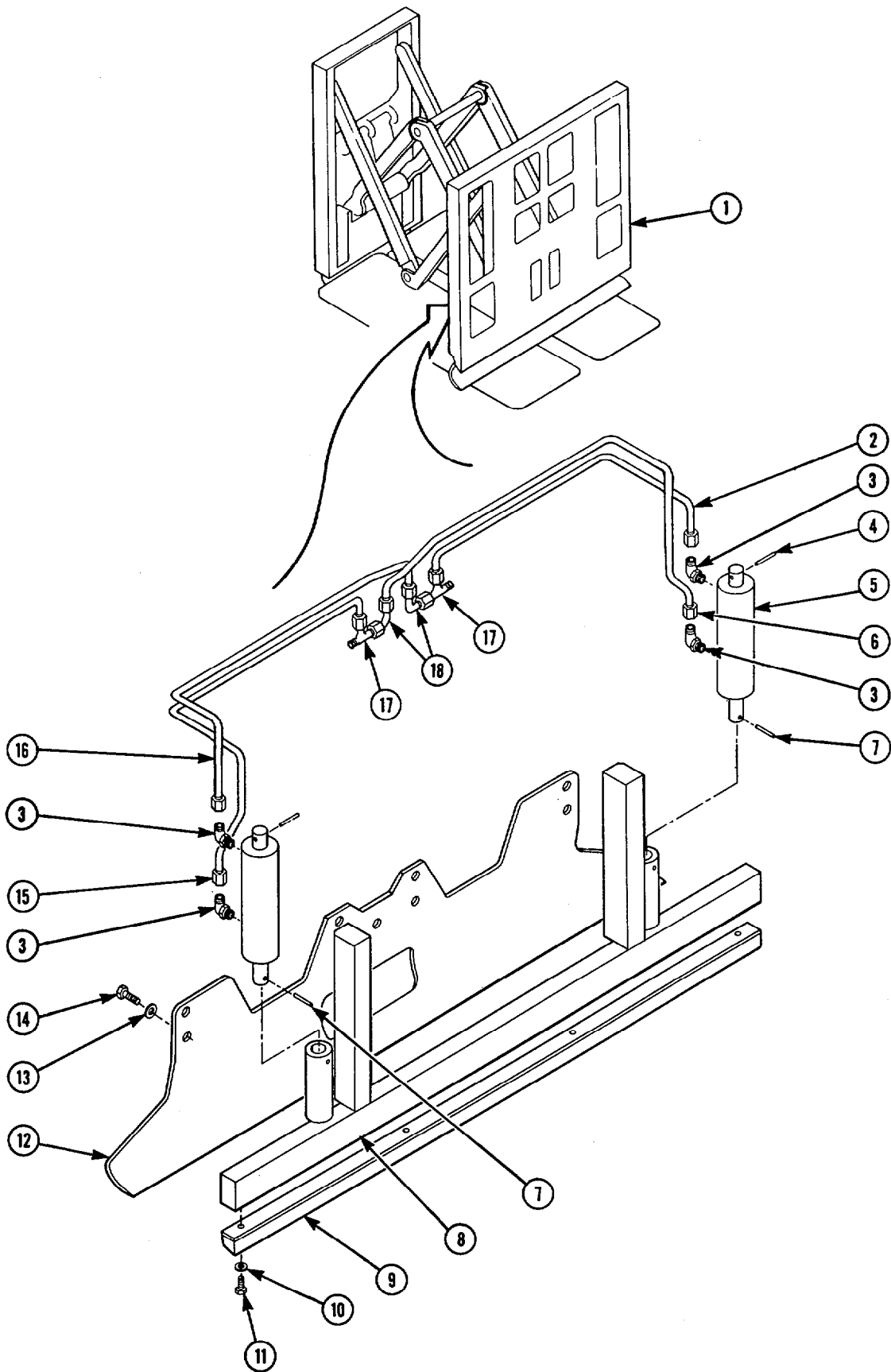


Faceplate Group

30D			
REF	QTY	PART NO	DESCRIPTION
		679221	Faceplate Group
1	1	677140	Faceplate
2	1	677134	Tube
3	4	601676	Fitting
4	2	7926	Roll Pin
5	●2	674118	Cylinder
6	1	677133	Tube
7	2	7912	Pin
8	1	677186	Gripper Bar
9	1	672712	Gripper Pad
10	5	6444	Lockwasher
11	5	607054	Capscrew, 5/16 NC x .75 GR8
12	1	679222	Gripper Jaw
13	4	6290	Lockwasher
14	4	643538	Capscrew, 1/2 NC x 1.5 GR8
15	1	677135	Tube
16	1	677136	Tube
17	2	2576	Fitting, 6-6
18	2	2680	Fitting, 6-6
19	5	662011	Capscrew

● See page 7 for parts breakdown.

Faceplate Group

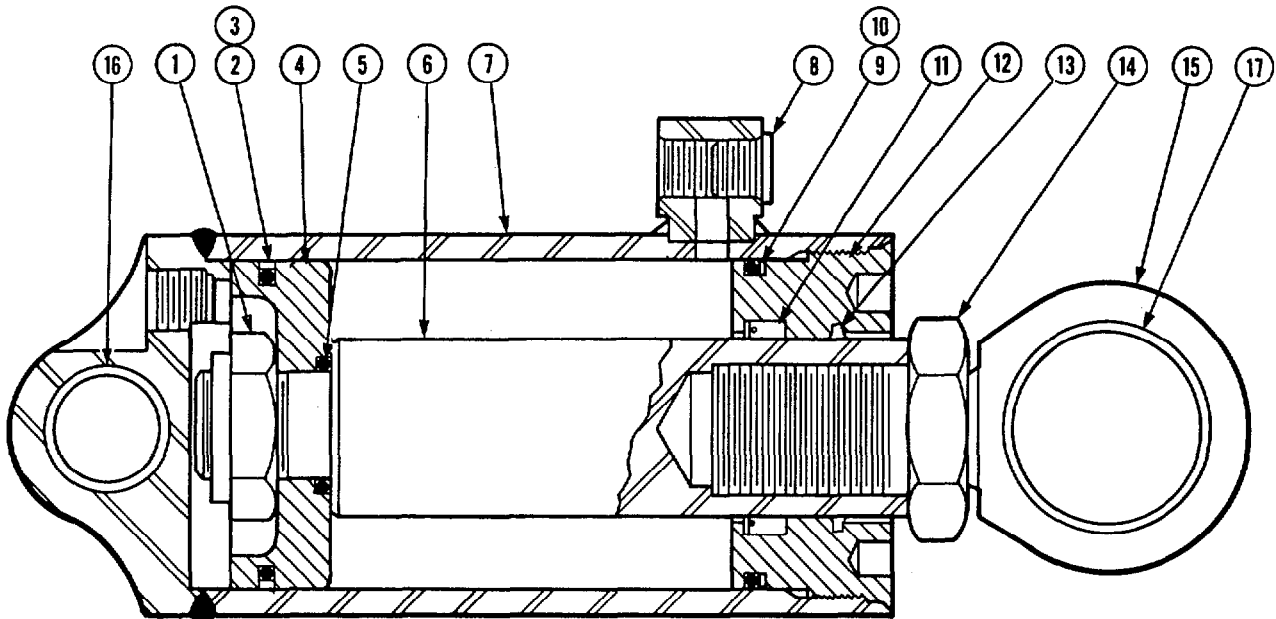


Faceplate Group

30D			
REF	QTY	PART NO	DESCRIPTION
		677138	Faceplate Group
1	1	677140	Faceplate
2	1	677134	Tube
3	4	601676	Fitting
4	2	7926	Roll Pin
5	●2	674118	Cylinder
6	1	677133	Tube
7	2	7912	Pin
8	1	677186	Gripper Bar
9	1	672712	Gripper Pad
10	5	6444	Lockwasher
11	5	607054	Capscrew, 5/16 NC x .75 GR8
12	1	674102	Gripper Jaw
13	9	6290	Lockwasher
14	9	643538	Capscrew, 1/2 NC x 1.5 GR8
15	1	677135	Tube
16	1	677136	Tube
17	2	2576	Fitting, 6-6
18	2	2680	Fitting, 6-6

● See page 7 for parts breakdown.

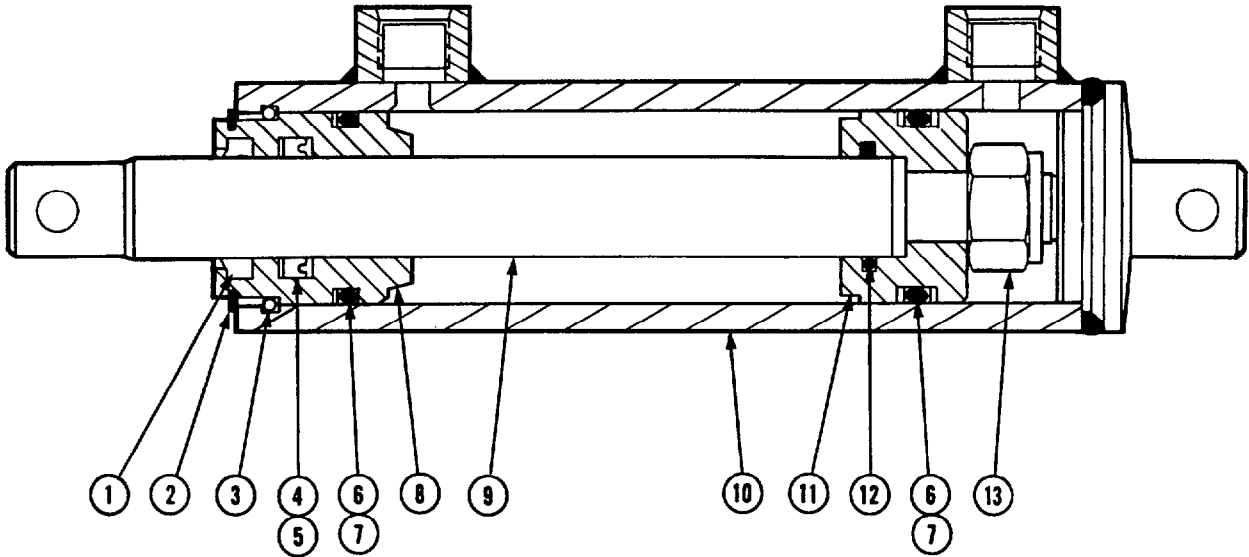
Push/Pull Cylinder



30D			
REF	QTY	PART NO	DESCRIPTION
		555579	Push/Pull Cylinder Assembly
1	1	555010	Nut
●2	1	2794	O-ring
●3	1	661653	Seal
4	1	555580	Piston
●5	1	2716	O-ring
6	1	554890	Rod
7	1	554886	Shell
8	1	604510	Plug
●9	1	2795	O-ring
●10	1	615138	Back-up Ring
●11	1	662453	Seal
12	1	554889	Retainer
●13	1	636855	Wiper
14	1	555011	Nut
15	1	554891	Rod End
16	2	674037	Bushing
17	1	674042	Bushing

● Included in Service Kit 554989.

Gripper Cylinder

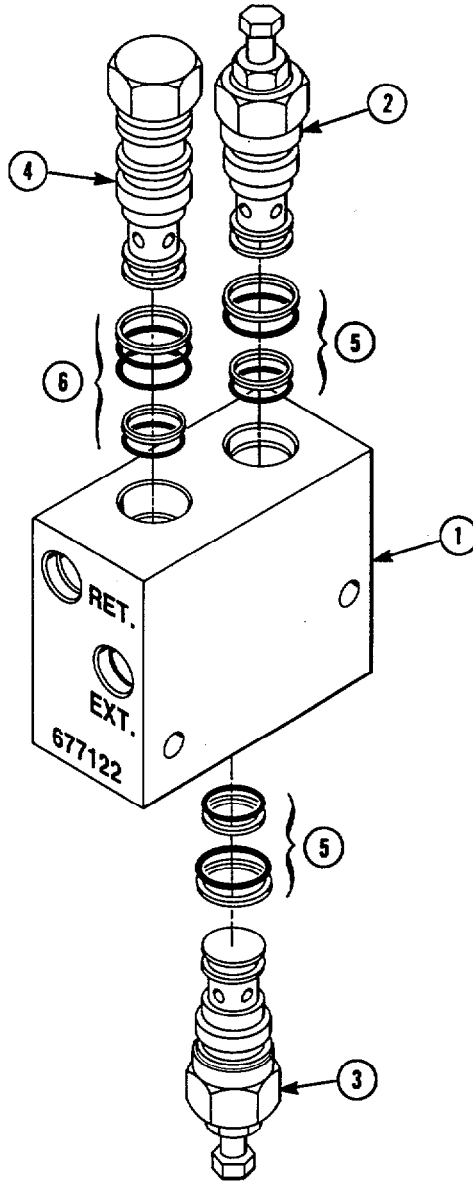


30D			
REF	QTY	PART NO	DESCRIPTION
		674118	Gripper Cylinder Assembly
● 1	1	674279	Seal
● 2	1	674284	Snap Ring
● 3	1	674277	Stop Ring
● 4	1	674278	Seal
● 5	1	674283	Back-up Ring
● 6	2	674280	O-ring
● 7	3	674282	Back-up Ring
8	1	674275	Retainer
9	1	674274	Rod
10	1	674273	Shell
11	1	674276	Piston
● 12	1	674281	O-ring
● 13	1	674285	Nut

● Included in Service Kit 674221.

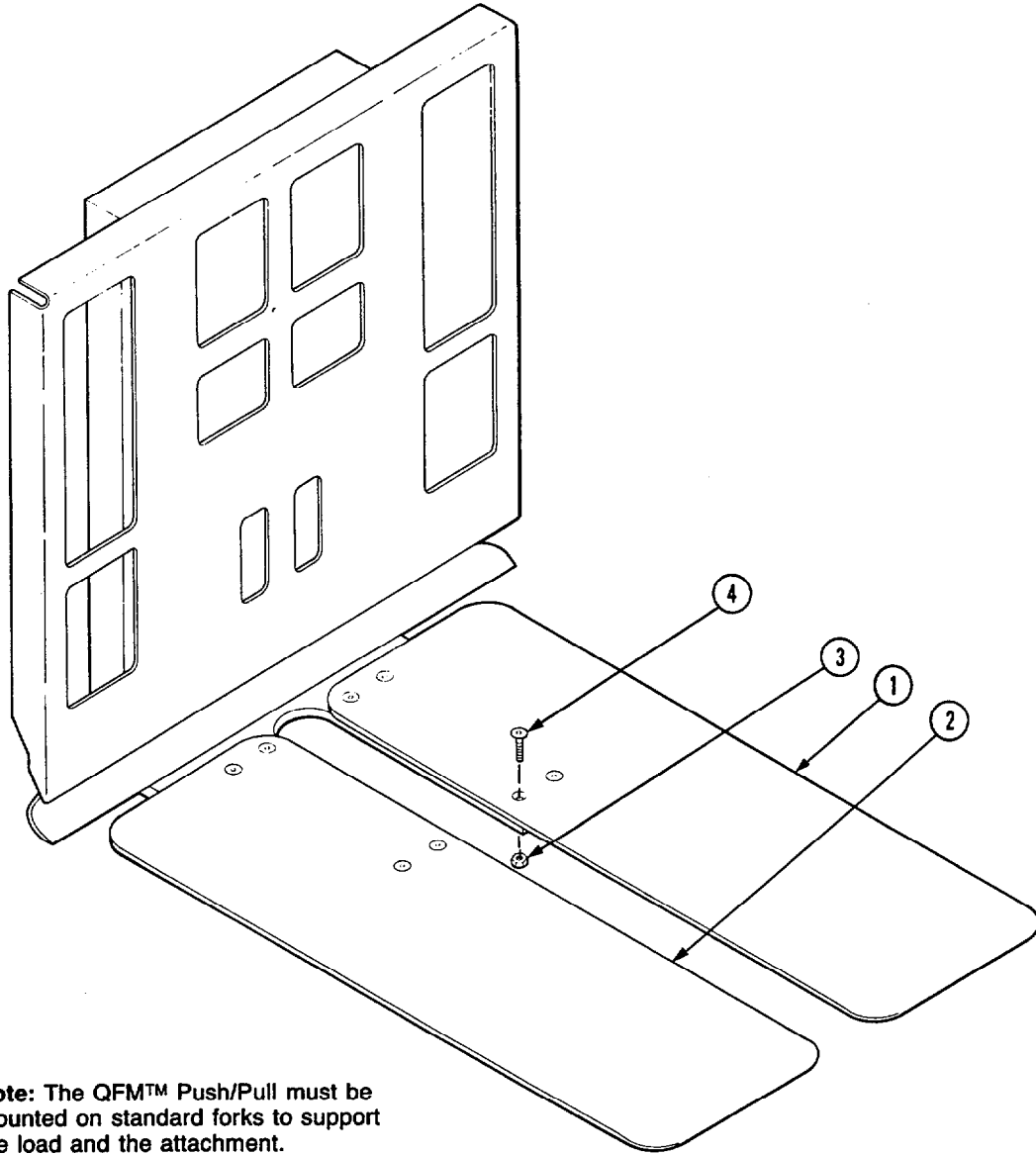


Valve



30D			
REF	QTY	PART NO	DESCRIPTION
		677122	Valve
1	1	677123	Valve Body
2	1	677124	Valve Cartridge - Relief
3	1	677125	Valve Cartridge - Relief
4	1	659058	Check Valve Pilot
5	1	665597	Service Kit
6	1	667516	Service Kit

Platen Groups

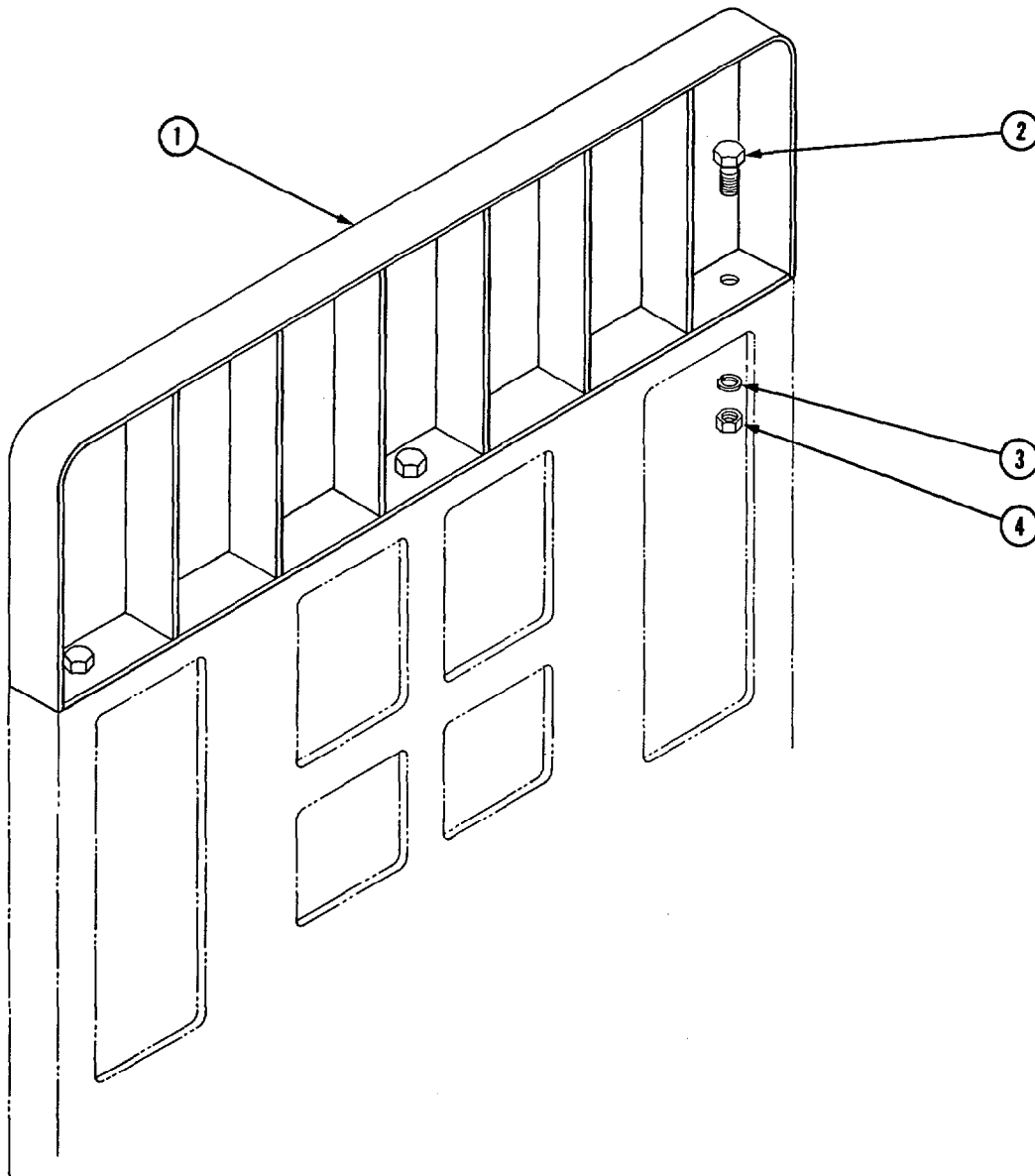


Note: The QFM™ Push/Pull must be mounted on standard forks to support the load and the attachment.

30D			
REF	QTY	PART NO	DESCRIPTION
		676304	Platen Group - 14" x 48" Platens
		676305	Platen Group - 15" x 48" Platens
		676306	Platen Group - 18" x 48" Platens
1	1	676298	Platens - 14" x 48" L.H.
	1	676300	Platens - 15" x 48" L.H.
	1	676302	Platens - 18" x 48" L.H.
2	1	676299	Platens - 14" x 48" R.H.
	1	676301	Platens - 15" x 48" R.H.
	1	676302	Platens - 18" x 48" R.H.
3	8	550218	Nut
4	8	4671	Capscrew

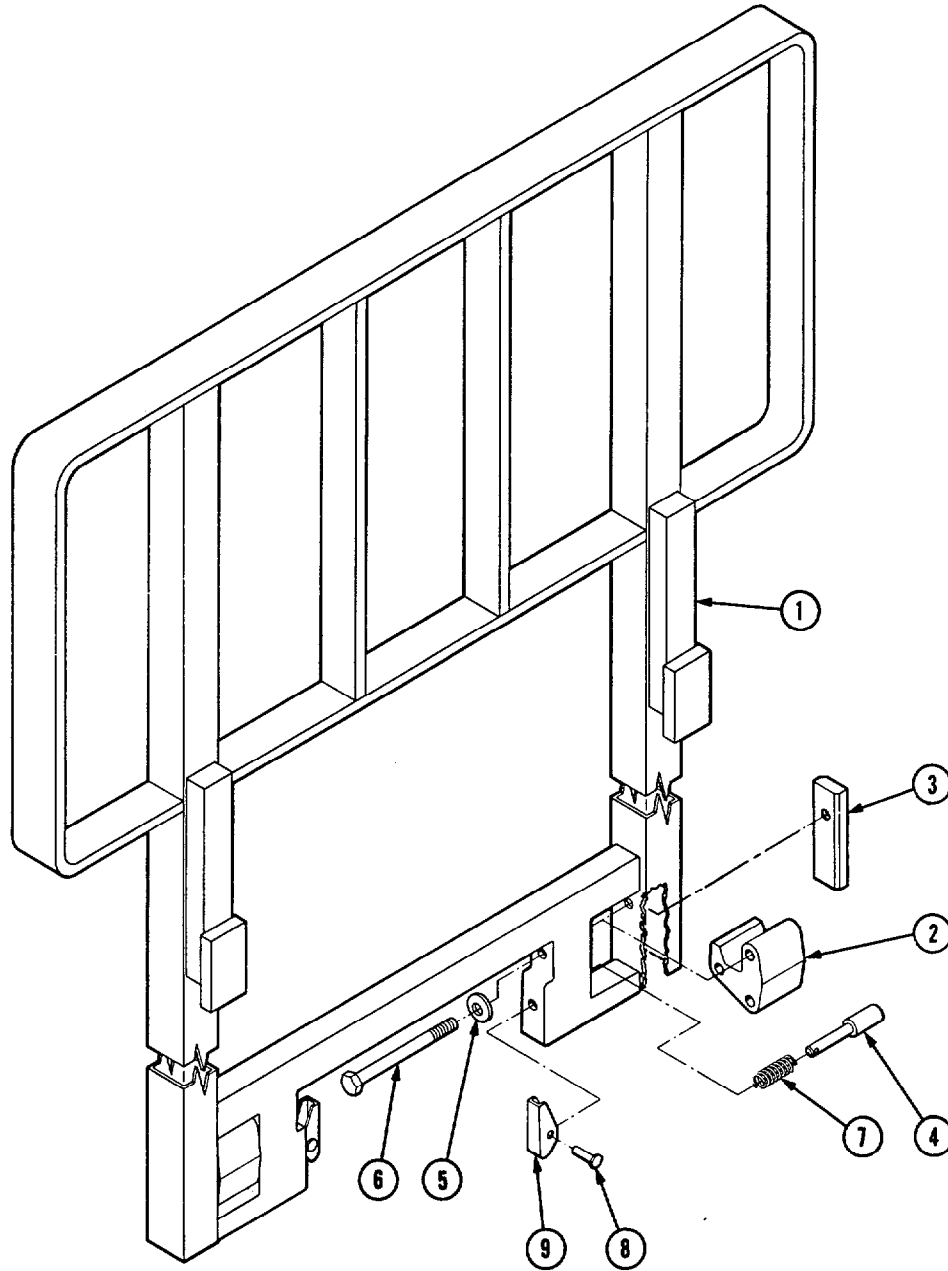


Faceplate Extension



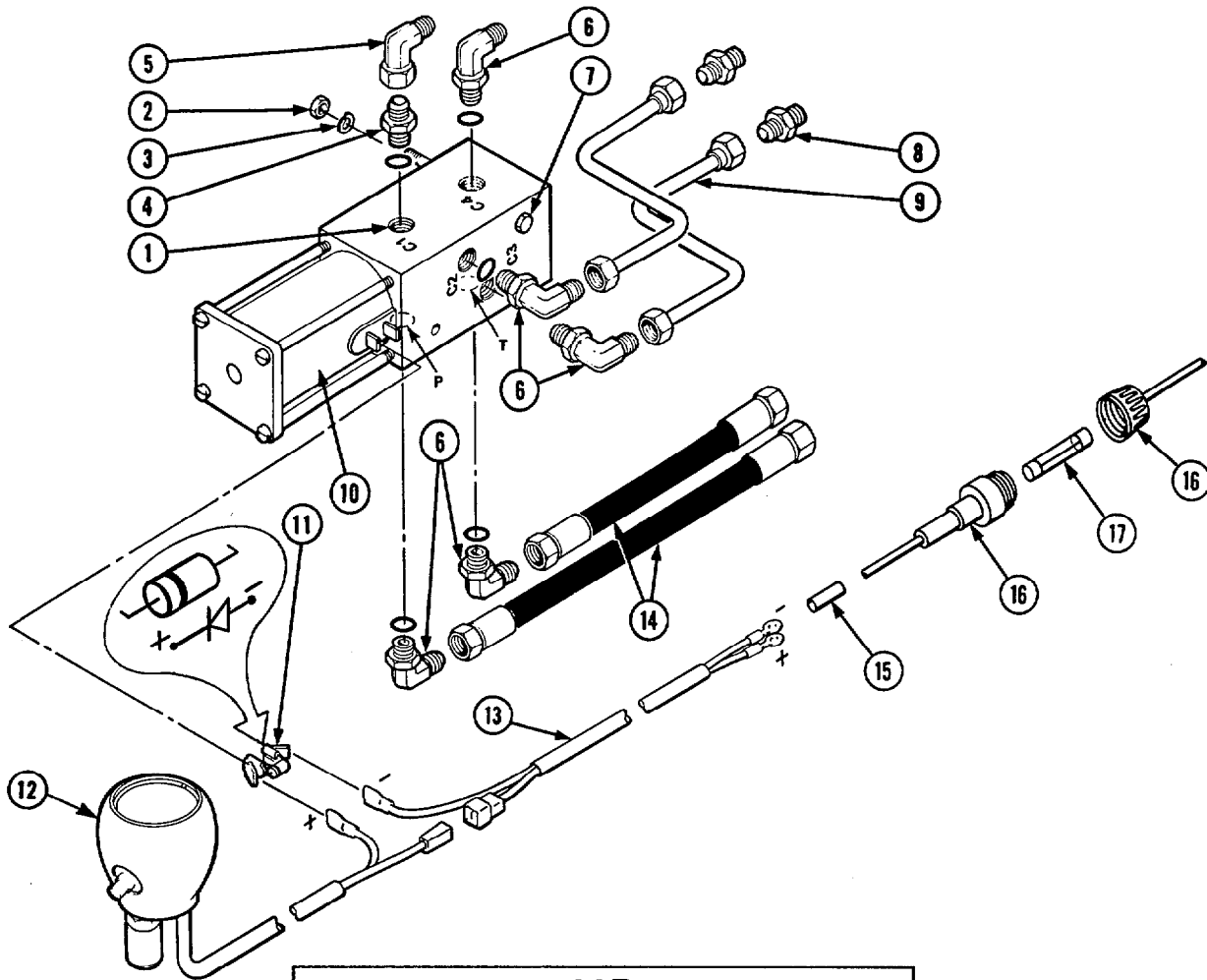
30D			
REF	QTY	PART NO	DESCRIPTION
		676295	Faceplate Ext. Group - 48"
1	1	676296	Faceplate Extension - 48"
2	3	601854	Capscrew, 1/2 NC x 1.0 GR5
3	3	6290	Lockwasher
4	3	5904	Nut, 1/2 NC

Quick Disconnect Backrest Group



30D			
REF	QTY	PART NO	DESCRIPTION
		674390	Backrest Group
1	1	674478	Backrest
2	2	674486	Hook
3	2	674488	Bar
4	2	622907	Pin
5	2	6290	Lockwasher
6	2	639171	Capscrew, 1/2 NC x 4.50 GR5
7	2	622908	Spring
8	2	8007	Rivet
9	2	622897	Handle

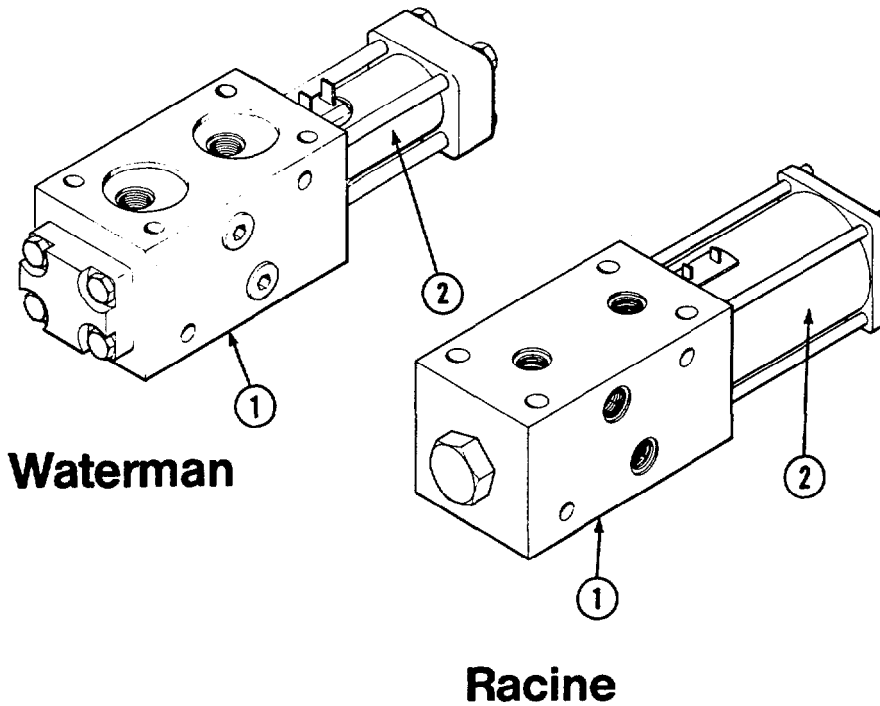
Solenoid Adaption Group



30D			
REF	QTY	PART NO	DESCRIPTION
		674303	Solenoid Adaption Group
■ 1	1	●	Solenoid Valve
2	2	5900	Nut, 1/4 NC
3	2	6201	Lockwasher
4	1	604511	Fitting, 6-6
5	1	2680	Fitting, 6-6
6	5	601676	Fitting, 6-6
7	2	3565	Capscrew, 1/4 NC x 3.50
8	2	2347	Fitting, 6-6
9	2	674304	Tube
10	1	●	Coil
11	1	669432	Diode
★ 12	1	674305	Knob Assembly
13	1	665083	Cord
14	2	2161	Hose
15	1	666970	Butt Connector
16	1	677489	Fuse Holder
17	1	677490	Fuse, 7.5 Amps.

- Includes item 10.
- See page 13 for parts breakdown.
- ★ See page 14 for parts breakdown.

Solenoid Valves

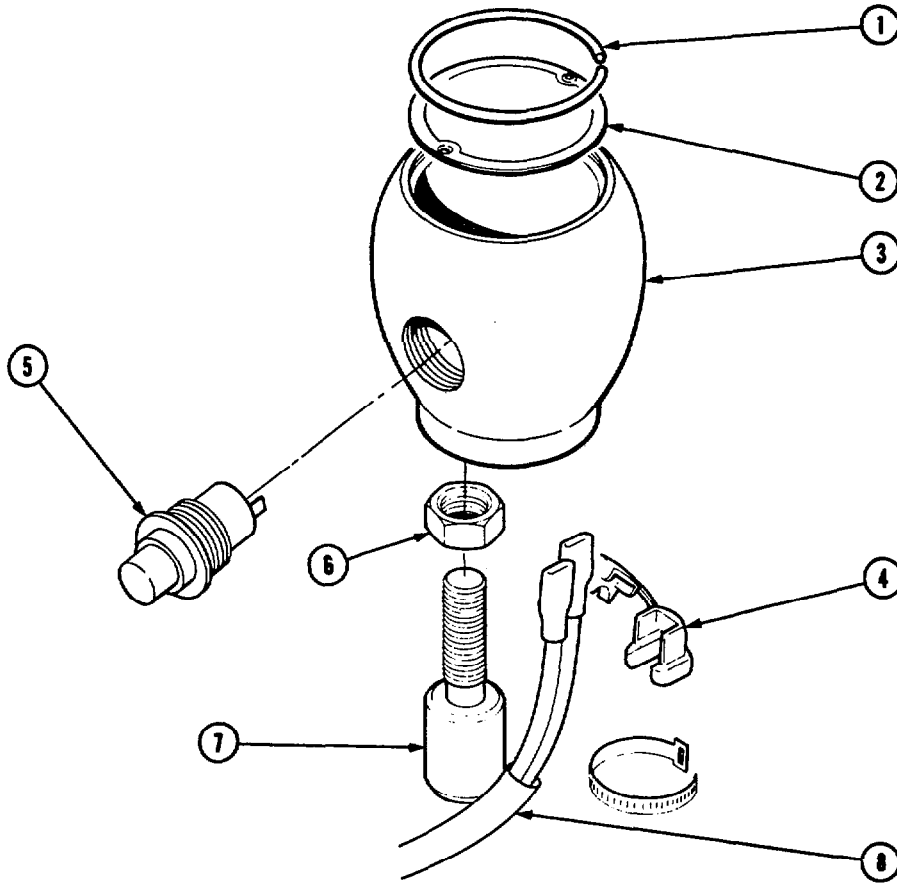


Note: Racine and Waterman Solenoid Valve assemblies are interchangeable as a unit. Coils must match valve. If one brand is preferred over another you must specify both part number and brand name.

REF	QTY	Waterman PART NO	Racine PART NO	DESCRIPTION
	1	614089	614089	Solenoid Valve - 12V
1	1	614091	614091	Solenoid Valve - 24V
1	1	614092	614092	Solenoid Valve - 36V
1	1	614093	614093	Solenoid Valve - 48V
2	1	611458	665044	Coil - 12V
2	1	611460	665045	Coil - 24V
2	1	611461	665046	Coil - 36V
2	1	614097	665047	Coil - 48V

2258x

Knob Assembly



30D			
REF	QTY	PART NO	DESCRIPTION
		674305	Knob Assembly
1	1	665250	Snap Ring
2	1	673131	Cover
3	1	665012	Knob
4	1	665076	Strain Relief
5	1	665004	Switch
6	1	5902	Nut, 3/8 NC
7	1	665081	Adapter
8	1	665077	Cable Assembly

Do you have questions you need answered right now? Call your nearest Cascade Parts Department.

Cascade Corporation
2501 Sheridan Avenue
P.O. Box 360
Springfield, Ohio 45505
Tel.: (513) 322-1199
Telex: 279563
FAX: 1-513-325-9270

**Cascade N.V.
European Headquarters**
P.O. Box 50086
1305 AB Almere-Haven
Achterwerf 240
1357 CB Almere-Haven
The Netherlands
Tel.: 03240-92911
Telex: 40838 case nl
FAX: 011-31-3240-92286

**Cascade N.V.
Benelux Sales and Service**
P.O. Box 170
1110 AD Diemen
Weesperstratt 110
1112 AP Diemen
The Netherlands
Tel.: 020-906411
Telex: 14495 casc nl

Cascade GmbH
Klosterhofweg 52
4050 Mönchengladbach 3
B.R. Deutschland
Tel.: 02166-602091
Telex: 852812 casc d

**Cascade Scandinavia
Hydraulik A.B.**
Muskötgatan 17-(E.8-9)
252 55 Helsingborg
Sweden
Tel.: 042-151135
Telex: 72565 caschbg s

Cascade France S.A.R.L.
11, rue Jean Charcot
Zone Industrielle Sud
B.P. 22
91421 Morangis Cedex
France
Tel.: (1)69091139
Telex: cascade 690016f

Cascade Hispania S.A.
Avenida De La Fabregada, 7
Hospitalet De Llobregat
Barcelona
Spain
Tel.: 93-3355158
Telex: 54018 casc e

Cascade (UK) Ltd.
15, Orgreave Crescent
Dore House Industrial Estate
Handsworth
Sheffield S13 9NQ
England
Tel.: 0742-697524/5/6/7
Telex: 547254 cascsh g

Cascade Hydraulics Ltd.
7615 Kimbel Street
Mississauga, Ontario
Canada L5S-1A8
Tel: 416/677-9695
Direct Parts Line:
416/677-9686
416/677-9684
Tel/Ac: 06-968715

**Cascade Materials Handling
(Aust.) Pty. Ltd.
(Incorporated in N.S.W.)**
121 Long Street
Smithfield, N.S.W. 2164
Australia
Tel.: 02-604-6222
Tel/Ac: (790)24302
Cable: Cascaus
FAX: 011-61-2-609-2742

**Cascade Materials Handling
(Aust.) Pty. Ltd.**
44E Winterton Road
Clayton, Victoria 3168
Australia
Tel.: 03-543-4344
Cable: Casmel

Cascade (Africa) Pty. Ltd.
P.O. Box 625
15 Power Street
Isando 1600
South Africa
Tel.: 011-974-5611/2/3/4/5
Telex: 4-29718 S.A.

Cascade Japan Ltd.
4-1, 1-Chome,
Shin Senri Higashimachi
Toyonaka, Osaka 565
Japan
Tel.: 06-835-2900
Tel/Ac: 781-5287115 Cascade J
Cable: Cascadecfe, Osaka
FAX: 011-816-835-2905