



# Parts Manual

---

Model \_\_\_\_\_ **Paper Roll Clamp**

Serial Number \_\_\_\_\_ **45F-RCP-05AR0**

---

**cascade**<sup>®</sup>  
**corporation**

**For Technical Assistance call:** 800-227-2233, Fax: 888-329-8207

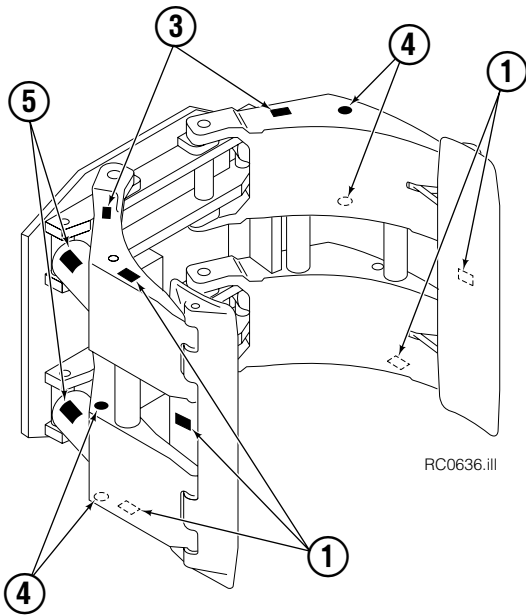
**To Order Parts call:** 888-227-2233, Fax: 888-329-0234

**OR**

**Write:** Cascade Corporation, P.O. Box 20187, Portland, OR 97220

**Internet:** [www.cascorp.com](http://www.cascorp.com)

# Safety Decals



RC0636.ill



Roll Clamp Safety Decals			
REF	QTY	PART NO.	DESCRIPTION
1	6	665595	No Hand Hold Decal
2	3	660269	Short Arm Rotation Position Decal
3	4	656038	Caution Decal
4	4	679150	No Step Decal
5	4	665677	Trapped Pressure Decal
6	1	679059	Quick-Change Hook Decal

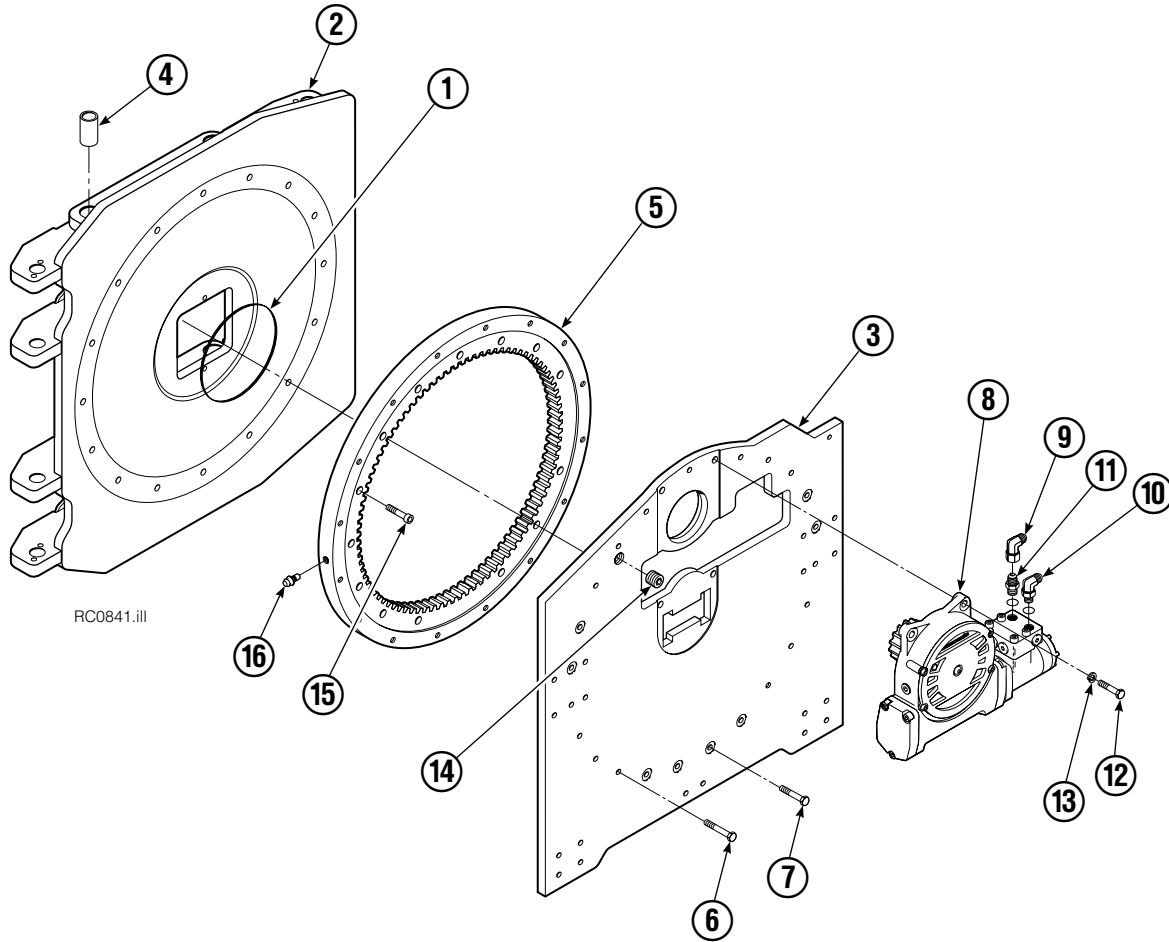
# Publications



GA0006.ill

Roll Clamp Publications	
674512	Service Manual
674509	Operator's Guide – Fixed Frame
676268	Operator's Guide – Swing Frame
674510	Installation Instructions – Fixed Frame
674511	Installation Instructions – Swing Frame
677555	Driver Training Video – VHS
678363	Troubleshooting Video – VHS
680664	Servicing Cascade Cylinders – VHS
679929	Tool Catalog
673964	Literature Index Order Form

# Frame Group



45F			
REF	QTY	PART NO.	DESCRIPTION
		3011196	Frame Group
1	1	670931	Seal
2	1	3011197	Faceplate
3	1	680679	Baseplate
4	8	674843	Bushing
5	1	672828	Bearing Assembly ▲
6	9	643539	Capscrew, 1/2 NC x 1.75
7	7	643538	Capscrew, 1/2 NC x 1.50
8	1	795491	Drive Group ●
9	1	605761	Fitting, 8-8
10	1	601250	Fitting, 8-8
11	1	601377	Fitting, 8-8
12	4	661742	Capscrew, 1/2 NC x 1.25
13	4	6290	Lockwasher
14	1	6605	Plug
15	16	4505	Capscrew ▲
16	1	7401	Grease Fitting

▲ Included in Bearing Service Kit 672481.

● See Drive Group page for parts breakdown.

Reference: Common Parts Group 680700, SK-5359.

# Drive Group



REF	QTY	PART NO.	DESCRIPTION	REF	QTY	PART NO.	DESCRIPTION
		795491	Drive Group with 2.8 c.i. Motor	19	1	206392	Drive Motor – 2.8 c.i. ▼
1	6	769570	Capscrew, M12 x 25	20	4	4468	Capscrew, 3/8 NC x .75 GR8
2	1	676855	Cover	21	1	670580	Bearing
3	●	674513	Shim – .005" (blue)	22	1	675609	Worm Gear
4	●	670574	Shim – .010" (brown)	23	1	670581	Bearing
5	●	671757	Shim – .015" (pink)	24	1	7214	Snap Ring
6	●	671758	Shim – .020" (yellow)	25	1	643423	O-Ring
7	2	670579	Bearing	26	1	775552	Cover
8	1	670582	Key	27	1	783609	Seal
9	1	670506	Pinion	28	1	783608	Capscrew, M12 x 16
10	1	775551	Housing	29	4	200882	Capscrew, M8 x 20
11	1	686465	Gasket	30	1	644010	Relief Fitting
12	1	675608	Worm	31	1	604510	Fitting, 6
13	1	775553	Adapter	32	1	656300	Gear Box Lube – 48 oz.
14	2	2705	O-Ring	33	1	668184	Sealant
15	1	670549	Check Valve ▲			670578	Shim Service Kit (items 3-6,25,33)
16	4	6444	Lockwasher			675637	Bearing Service Kit (items 21 & 33)
17	4	607059	Capscrew, 5/16 NC x 1.75 GR8			675638	Bearing Service Kit (items 3-7,25)
18	1	670575	Gasket			685227	Motor Kit-4.5 (items 4,14,18)

- Quantity as required.
- ▲ See Check Valve page for parts breakdown.
- ▼ See Drive Motor page for parts breakdown.

## Drive Motor



REF	QTY	PART NO.	DESCRIPTION
		206392	Drive Motor
1	1	675478	Shaft
2	1	675477	Drive
3	1	675479	Spacer Plate
4	1	675480	■ Gerotor Set (101-1768-007)
4	1	685075	■ Gerotor Set (101-1768-009)
5	1	675482	End Cap
6	1	206405	● Service Kit
7	1	685089	■ Flange (101-1768-007)
7	1	685090	■ Flange (101-1768-009)

Cascade provides service replacement parts for the listed parts only. Due to cost, if others parts need replacement, the complete drive motor should be replaced.

■ See Nameplate under valve for correct part number of Gerotor Set and Flange.

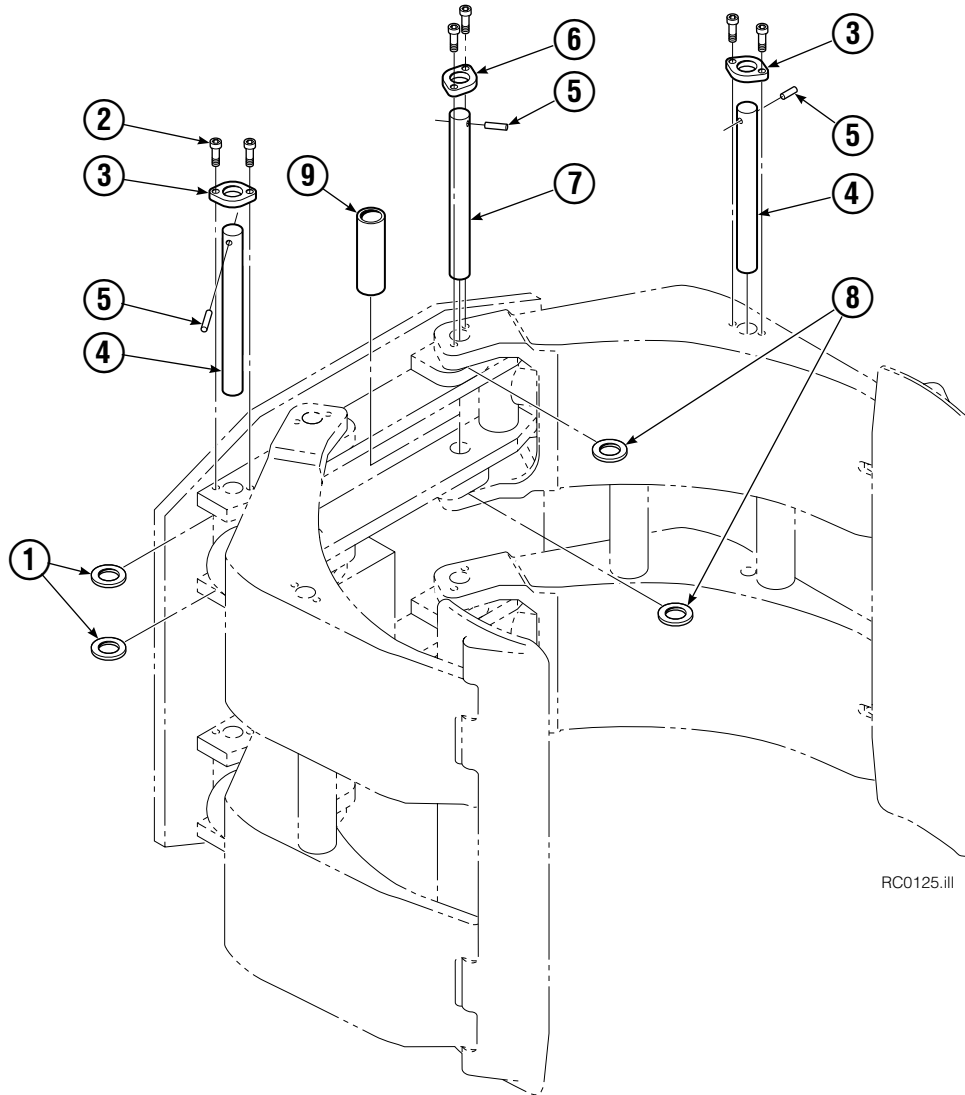
● Compatible with water glycol based hydraulic fluids.

## Check Valve



REF	QTY	PART NO.	DESCRIPTION
		670549	Check Valve Assembly
1	2	609453	Fitting, 10
2	2	670552	Spring
3	2	670551	Guide
4	2	7020	Ball
5	2	602580	Fitting, 8
6	2	673989	Spring
7	1	670550	Body
8	1	670553	Spool

# Common Components Group

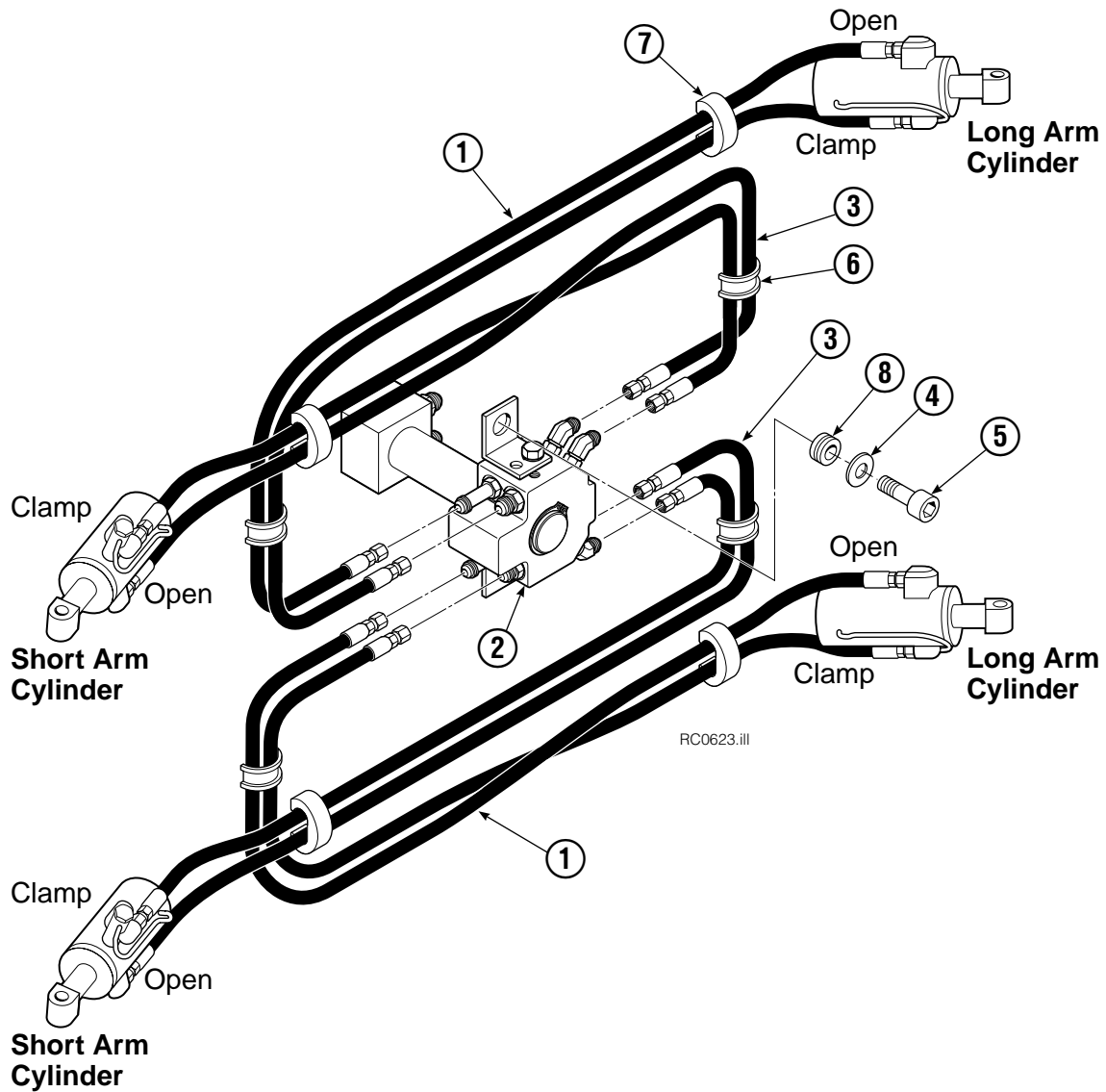


RC0125.ill

45F			
REF	QTY	PART NO.	DESCRIPTION
		680634	Common Components Group
1	26	674837	Shim
2	24	4466	Capscrew, 3/8 NC x .50
3	8	674827	Retainer
4	8	680639	Pin
5	12	673385	Drive Pin
6	4	206589	Retainer
7	4	674835	Pin
8	20	660200	Shim
9	4	681669	Spacer

Reference: SK-4962, SK-4963.

# Hosing Group

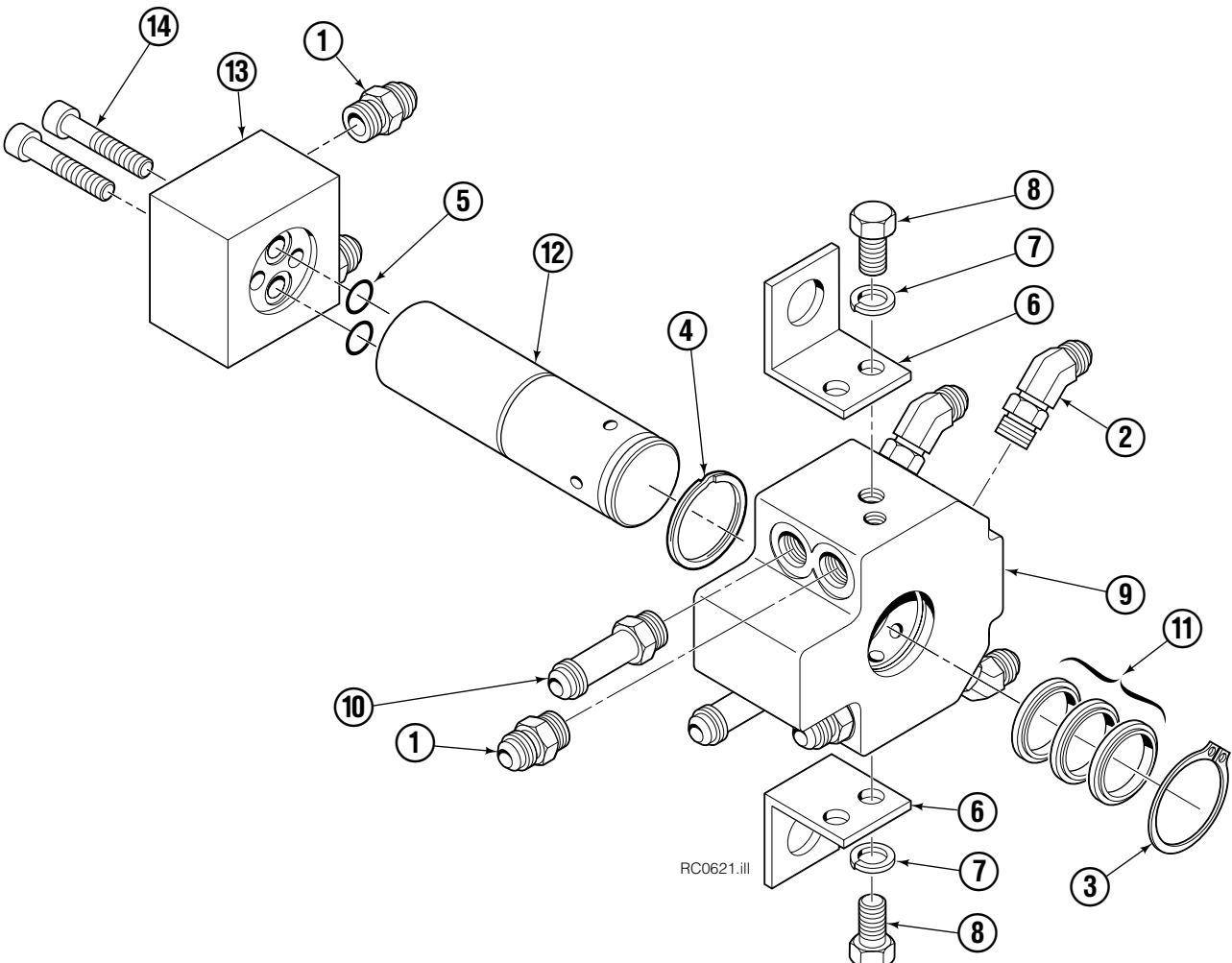


REF	QTY	PART NO.	DESCRIPTION
		6010625	Hosing Group
1	4	206486	Hose, 45.75 in.
2	1	222670	Revolving Connection ▲
3	4	680115	Hose, 43.75 in.
4	2	209019	Washer
5	2	645565	Shoulder Bolt
6	4	680113	Insert
7	4	673416	Segment
8	2	208764	Grommet

▲ See Revolving Connection page for parts breakdown.

Reference: Common Parts Group 223452R0.

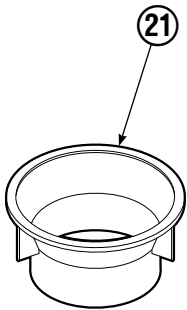
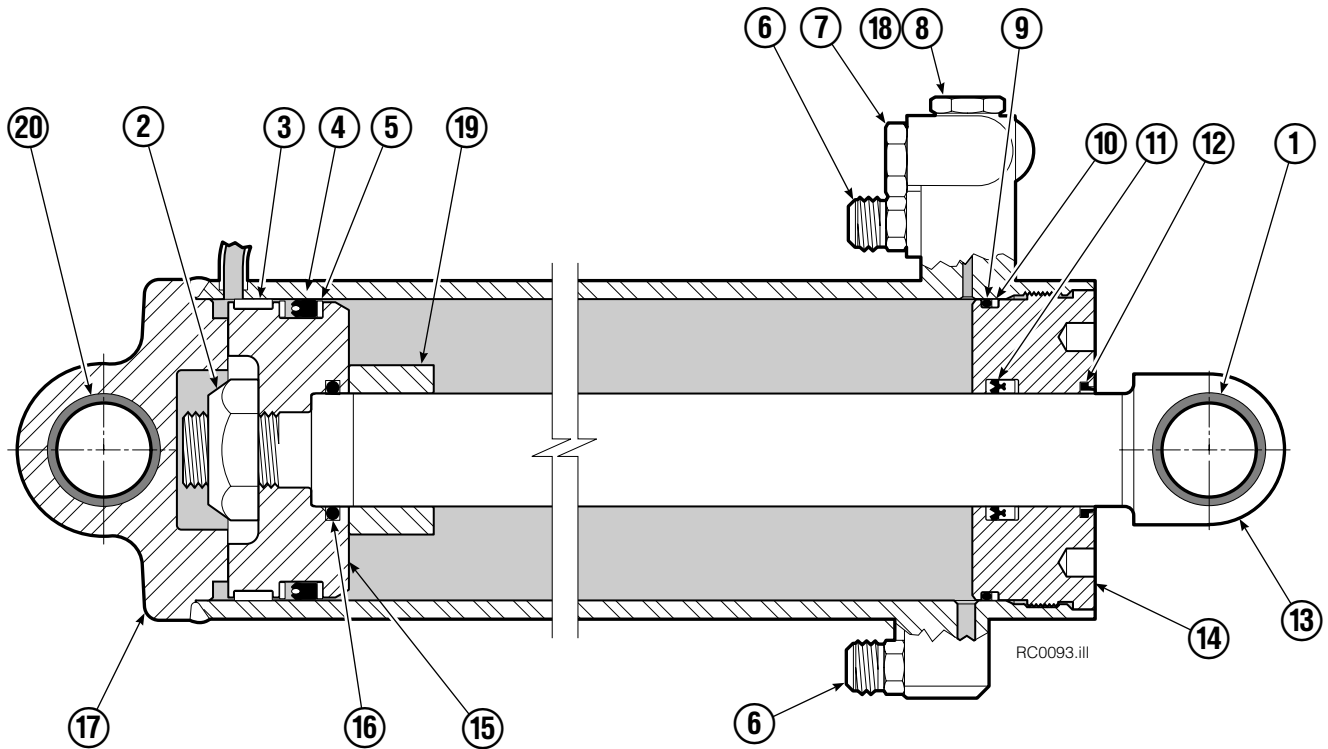
# Revolving Connection



RC0621.iii

REF	QTY	PART NO.	DESCRIPTION
		222670	Revolving Connection
1	4	604511	Fitting, 6-6
2	4	611302	Fitting, 6-6
3	1	3138	Snap Ring
4	1	7341	Snap Ring
5	2	564448	O-Ring
6	1	222675	Bracket
7	2	681238	Lockwasher, M10
8	2	212632	Capscrew, M10 x 20
9	1	222671	Body
10	2	605743	Fitting Adapter
11	3	214649	Seal
12	1	222674	Shaft
13	1	222683	End Block
14	2	768796	Capscrew, M8 x 35
		222694	Service Kit

# Short Arm Cylinder

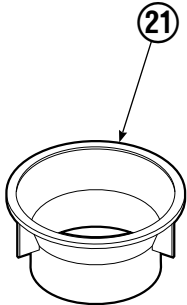
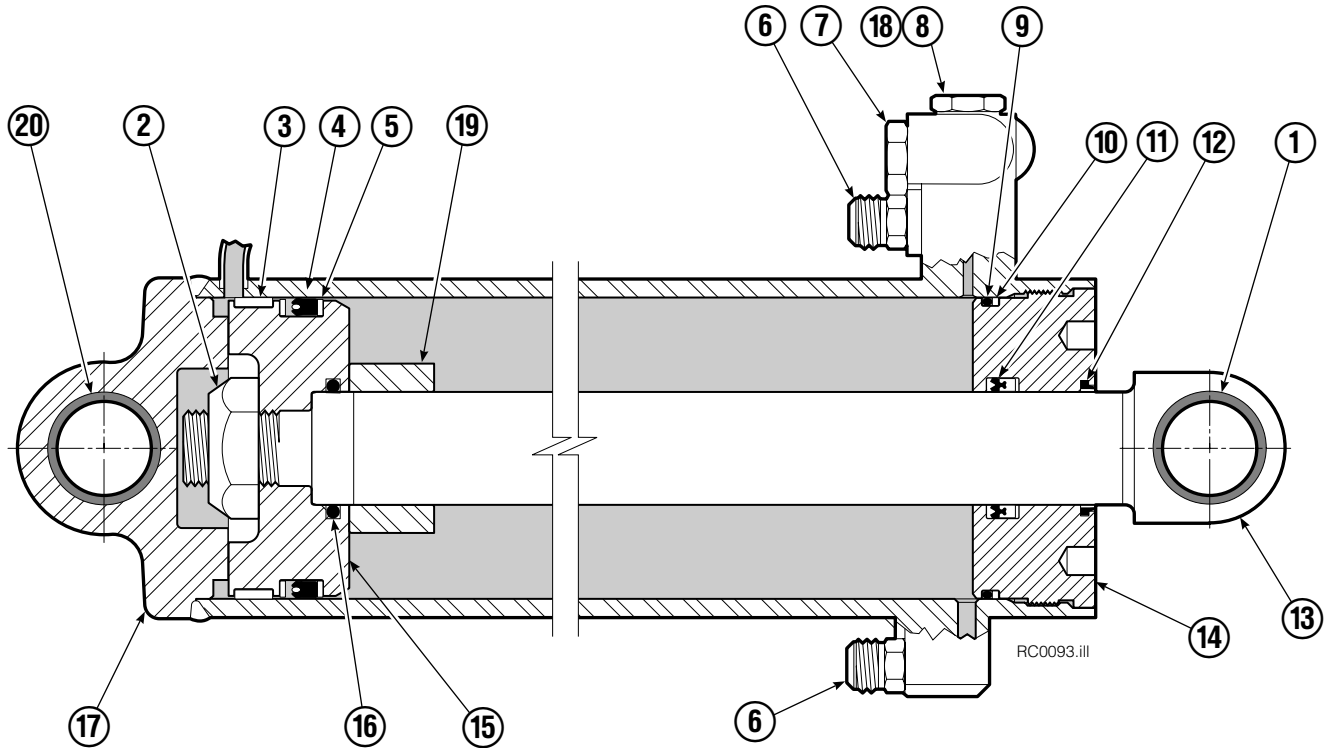


REF	QTY	PART NO.	DESCRIPTION
		3011194	Cylinder Assembly
1	1	674840	Bearing
2	1	560997	Nut
3	1	660767	◆ Bearing
4	1	662460	◆ Seal
5	2	638293	◆ Back-Up Ring
6	2	604511	Fitting, 6-6
7	1	556852	Fitting, 4
8	1	557212	Check Valve
9	1	2797	◆ O-Ring
10	1	615140	◆ Back-Up Ring
11	1	554598	◆ Seal
12	1	564930	◆ Wiper
13	1	561838	Rod
14	1	555207	Retainer
15	1	555226	Piston
16	1	2722	◆ O-Ring
17	1	3011228	Shell
18	1	667516	Check Valve Service Kit
19	1	560523	Spacer
20	2	674840	Bearing
21	1	672909	Seal Loader
		555227	Service Kit

◆ Included in Service Kit 555227.

Reference: S-5306, S-5561.

# Long Arm Cylinder

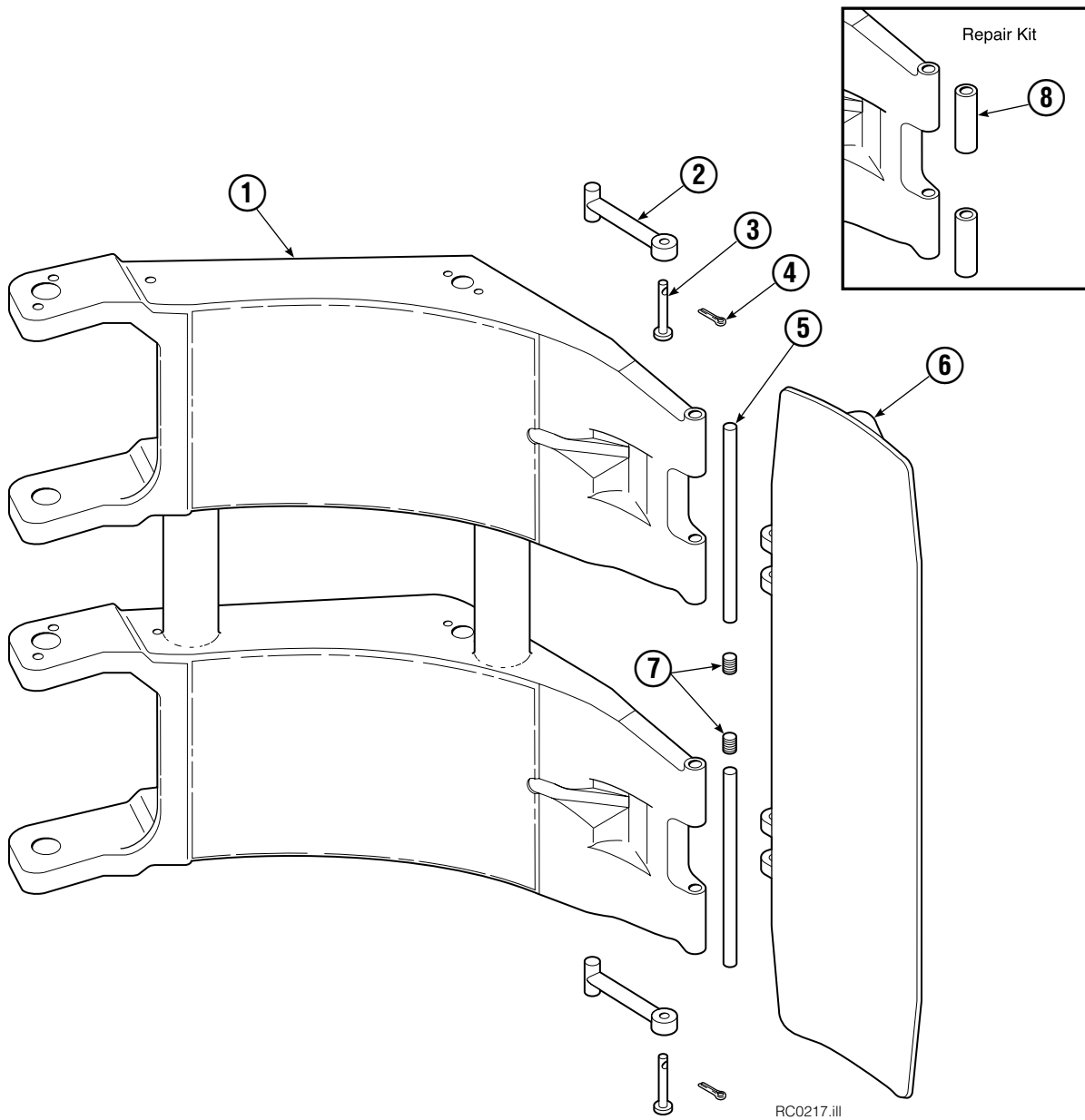


REF	QTY	PART NO.	DESCRIPTION
		345711	Cylinder Assembly
1	1	674840	Bearing
2	1	560997	Nut
3	1	660767	◆ Bearing
4	1	662460	◆ Seal
5	2	638293	◆ Back-Up Ring
6	2	604511	Fitting, 6-6
7	1	556852	Fitting, 4
8	1	557212	Check Valve
9	1	2797	◆ O-Ring
10	1	615140	◆ Back-Up Ring
11	1	554598	◆ Seal
12	1	564930	◆ Wiper
13	1	557080	Rod
14	1	555207	Retainer
15	1	555226	Piston
16	1	2722	◆ O-Ring
17	1	560532	Shell
18	1	667516	Check Valve Service Kit
19	1	-	Spacer
20	2	674840	Bearing
21	1	672909	Seal Loader
		555227	Service Kit

◆ Included in Service Kit 555227.

Ref: S-5305, S-5559

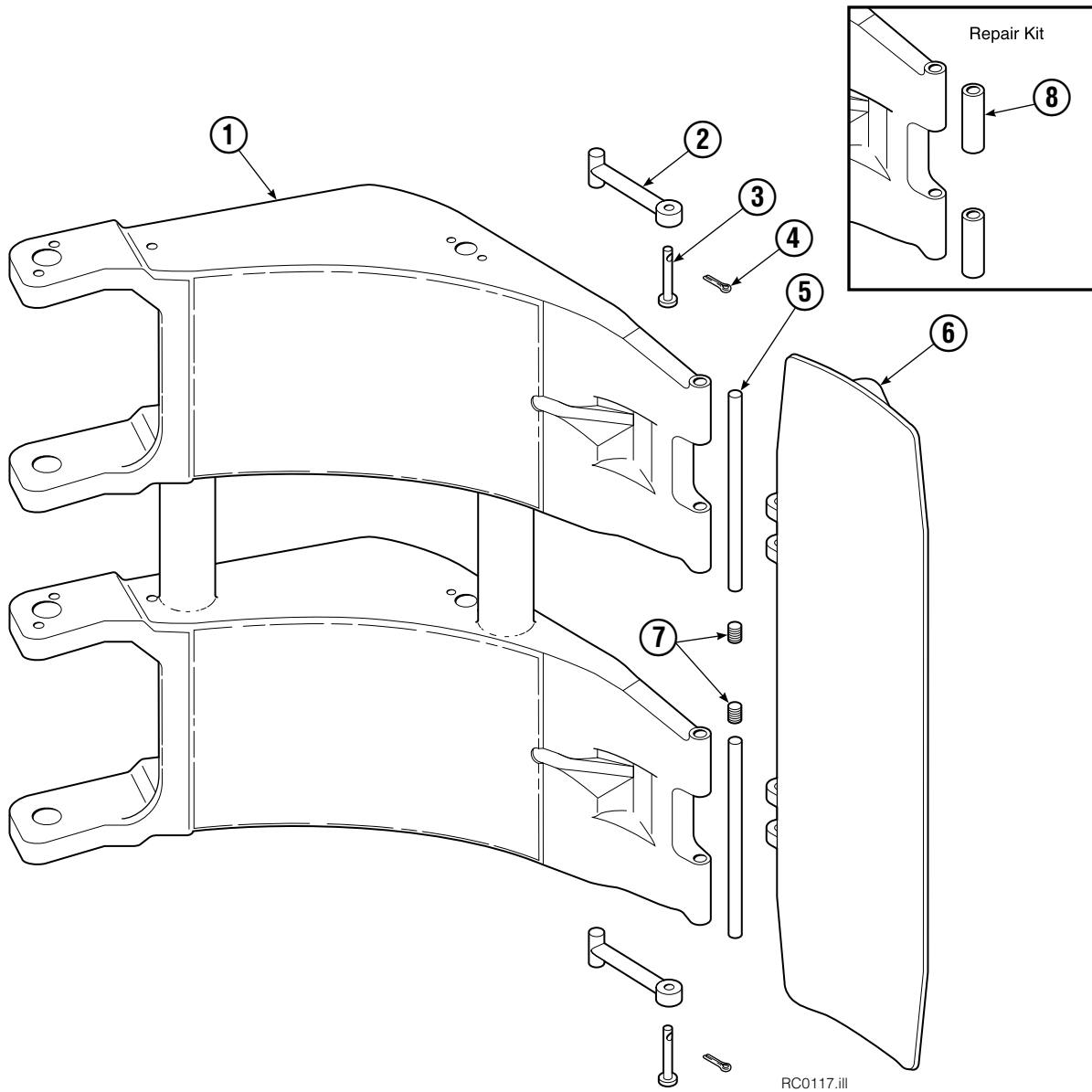
# Contact Pad Group



45F			
REF	QTY	PART NO.	DESCRIPTION
		6002783	Contact Pad Group (2 thru 7)
1	1	3011193	Short Arm
2	2	674700	Link
3	2	674265	Clevis Pin
4	2	6525	Cotter Pin
5	2	352355	Pin
6	1	6002784	Contact Pad
7	4	689900	Plug
8	1	674928	Arm Tip Repair Kit

Reference: S-20185.

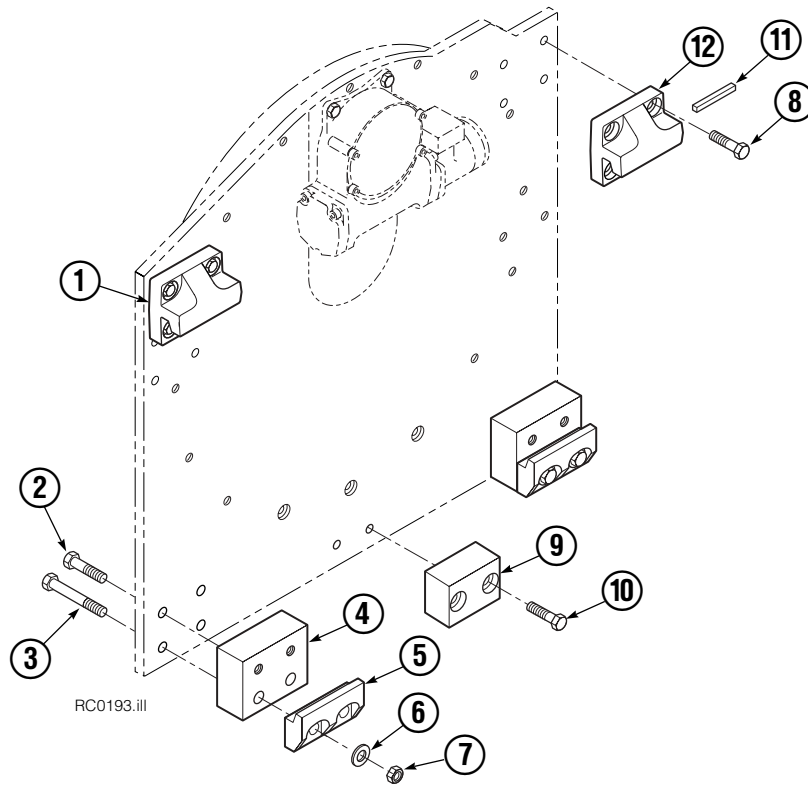
# Contact Pad Group



45F			
REF	QTY	PART NO.	DESCRIPTION
		6002783	Contact Pad Group (2 thru 7)
1	1	333951	Long Arm
2	2	674700	Link
3	2	674265	Clevis Pin
4	2	6525	Cotter Pin
5	2	352355	Pin
6	1	6002784	Contact Pad
7	4	689900	Plug
8	1	674928	Arm Tip Repair Kit

Reference: S-20185.

# Bolt-On Mounting Group



Class II, 0°			
REF	QTY	PART NO.	DESCRIPTION
		680630	Mounting Group
1	1	670523	Upper Hook – LH
2	4	3709	Capscrew, 5/8 NC x 1.50
3	4	674261	Capscrew, 5/8 NC x 3.75
4	2	676037	Spacer
5	2	675968	Lower Hook
6	4	667225	Washer
7	4	676281	Nut, 5/8 in. ID
8	8	667765	Capscrew, 5/8 NC x 1.50
9	1	680683	Center Spacer
10	2	677828	Capscrew, 1/2 NC x 1.00
11	1	669344	Stop Kit
12	1	670524	Upper Hook – RH

**Do you have questions you need answered right now?** Call your nearest Cascade Parts Department. Visit us online at [www.cascorp.com](http://www.cascorp.com)

**Cascade Corporation**  
2501 Sheridan Avenue  
Springfield, OH 45505  
Tel: 888-CASCADE (227-2233)  
FAX: 888-329-0234

**Cascade Canada Inc.**  
5570 Timberlea Blvd.  
Mississauga, Ontario  
Canada L4W-4M6  
Tel: 905-629-7777  
FAX: 905-629-7785

**Cascade GmbH**  
D-41199 Monchengladbach  
Klosterhofweg 52  
Germany  
Tel: 49-216-668230  
FAX: 49-216-6682323

**Cascade Finland**  
Albert Petreliuksenkatu 3  
01370 Vantaa  
Finland  
Tel: 358-9-836-1925  
FAX: 358-9-836-1935

**Cascade N.V.  
European Headquarters**  
P.O. Box 3009  
1300 El Almere  
Damsluisweg 56  
1332 ED Almere  
The Netherlands  
Tel: 31-36-5492911  
FAX: 31-36-5492964

**Cascade N.V.  
Benelux Sales and Service**  
P.O. Box 3009  
1300 El Almere  
Damsluisweg 56  
1332 ED Almere  
The Netherlands  
Tel: 31-36-5492950  
FAX: 31-36-5492974

**Cascade (UK) Ltd.**  
15, Orgreave Crescent  
Dore House Industrial Estate  
Handsworth  
Sheffield S13 9NQ  
England  
Tel: 742-697524  
FAX: 742-695121

**Cascade Scandinavia AB**  
Box 124  
Hammarvägen 10  
567 23 Vaggeryd  
Sweden  
Tel: 42-0-393-36950  
FAX: 46-0-393-36959

**Cascade Norway**  
Østerliveien 37A  
1153 Oslo  
Norway  
Tel: 47-22-743160  
FAX: 47-22-743157

**Cascade France S.A.R.L.**  
1D Rue De Charaintru  
BP 18, 91360 Epinay-Sur-Orge  
Morangis Cedex, France  
Tel: 33-1- 64547500  
FAX: 33-1-64547501

**Cascade Hispania S.A.**  
Carrer 5 Sector C  
Zona Franca Duanera  
Poligono de la Zon Franca  
08040 Barcelona, Spain  
Office No. 256  
Tel: 93-264-07-30  
FAX: 93-264-07-31

**Cascade Japan Ltd.**  
5-5-41,  
Torikai Kami  
Settsu, Osaka  
Japan, 566  
Tel: 81-726-53-3490  
FAX: 81-726-53-3497

**Cascade Korea**  
108B, Namdong Ind Complex  
658-3 Gojan-Dong  
Namdong-Gu  
Inchon, 405-310 Korea  
Tel: 82-32-821-2051  
FAX: 82-32-821-2055

**Cascade Australia**  
1445 Ipswich Road  
Rocklea, QLD 4106  
Australia  
Tel: 1-800227-223  
FAX: (07) 3373-7333

**Cascade New Zealand**  
15 Ra Ora Drive  
East Tamaki, Auckland  
New Zealand  
Tel: 9-273-9136  
FAX: 9-273-9137

**Cascade (Africa) Pty. Ltd.**  
P.O. Box 625, Isando 1600  
60A Steel Road  
Sparton, Kempton Park  
South Africa  
Tel: 27-11-975-9240  
FAX: 27-11-394-1147

**Cascade-Xiamen**  
No. 668 Yangguang Rd.  
Xinyang Industrial Zone  
Haicang, Xiamen City  
Fujian Province  
P.R. China 361026  
Tel: 86-592-651-2500  
FAX: 86-592-651-2571

**Cascade (Singapore)  
Trading Co.**  
Four Seasons Park  
Autumn Block - Apt. 1802  
12 Cuscaden Walk  
Singapore  
Tel: 65-834-1935  
FAX: 65-834-1936

