



# Parts Manual

---

Model Single-Double Pallet Handler

Serial Number 55E-FDS-1164

---

**cascade**<sup>®</sup>  
corporation

**For Technical Assistance call:** 800-227-2233, Fax: 888-329-8207

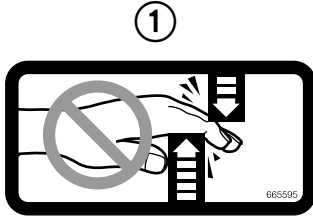
**To Order Parts call:** 888-227-2233, Fax: 888-329-0234

**OR**

**Write:** Cascade Corporation, P.O. Box 20187, Portland, OR 97220

**Internet:** [www.cascorp.com](http://www.cascorp.com)

# Decals



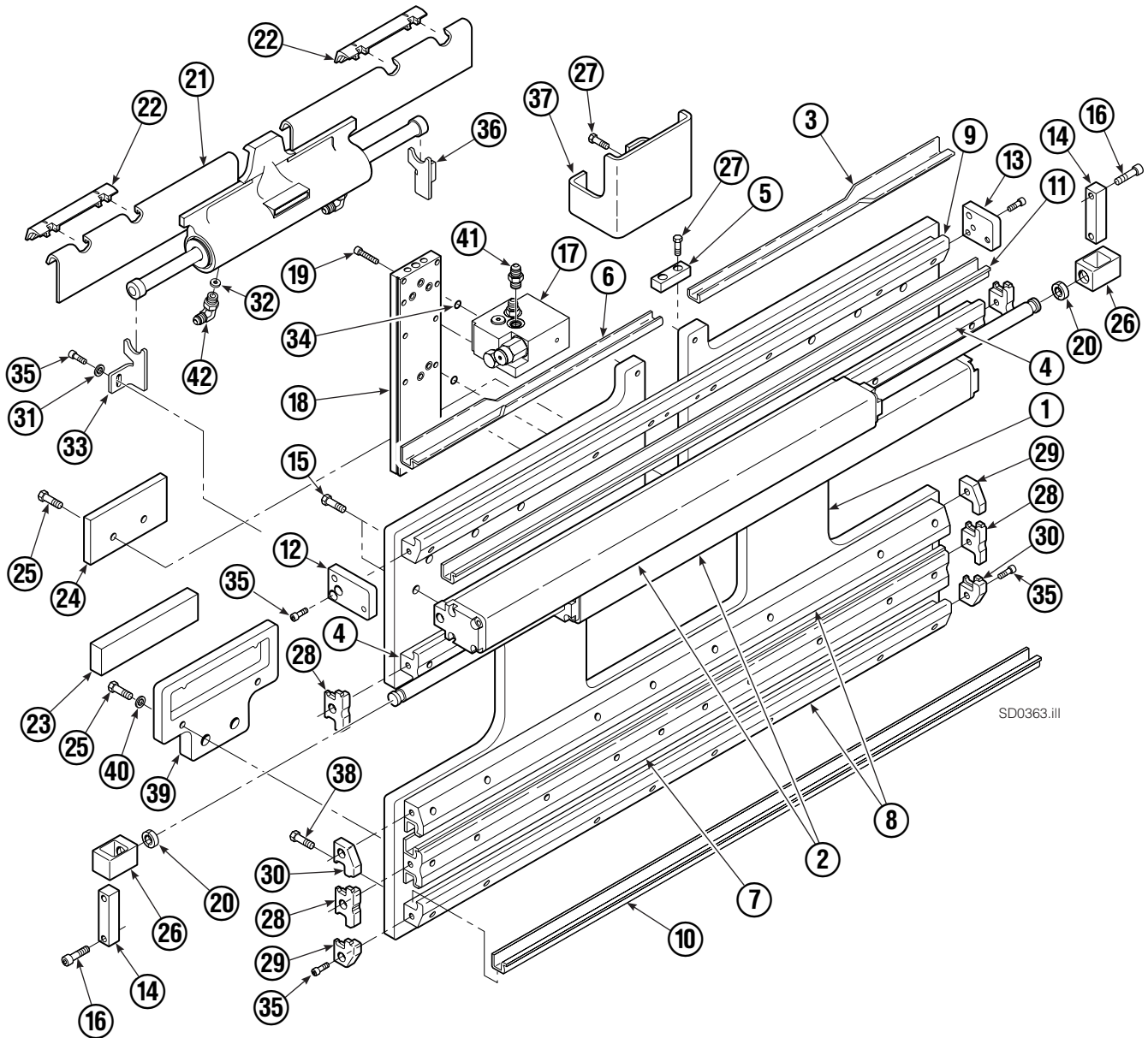
| 55E |     |          |                    |
|-----|-----|----------|--------------------|
| REF | QTY | PART NO. | DESCRIPTION        |
| 1   | 6   | 665595   | No Hand Hold Decal |
| 2   | 4   | 679150   | No Step Decal      |

# Publications



| 55E      |                             |
|----------|-----------------------------|
| PART NO. | DESCRIPTION                 |
| 214269   | Parts Manual                |
| 213580   | Operator's Guide            |
| 213372   | Installation Instructions   |
| 679929   | Tool Catalog                |
| 673964   | Literature Index Order Form |

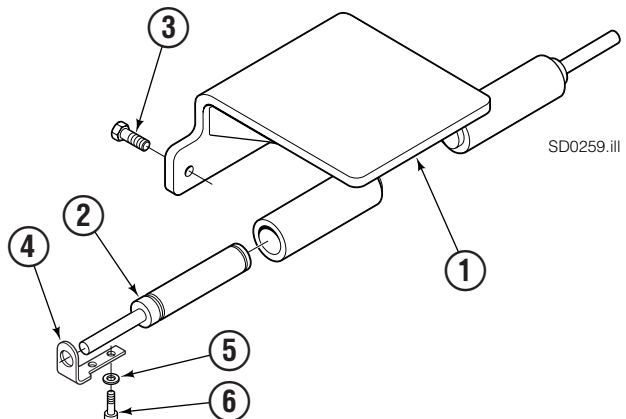
# Base Unit Group – ITA Class III



## Inner Fork Control Group

| 55E |     |          |                            |
|-----|-----|----------|----------------------------|
| REF | QTY | PART NO. | DESCRIPTION                |
|     |     | 225394   | Inner Fork Control Group ▼ |
| 1   | 1   | 225396   | Bracket                    |
| 2   | 2   | 225395   | Gas Cylinder               |
| 3   | 3   | 623821   | Capscrew, M12 x 20         |
| 4   | 2   | 230791   | Retainer                   |
| 5   | 4   | 202346   | Washer, M6                 |
| 6   | 4   | 768785   | Capscrew, M6 x 10          |

▼ Included in Base Unit Group 6104007.



# Base Unit Group – ITA Class III

| 55E |     |           |                               |
|-----|-----|-----------|-------------------------------|
| REF | QTY | PART NO.  | DESCRIPTION                   |
|     |     | 6104007   | Base Unit Group – Class III ▲ |
| 1   | 1   | 3003738   | Baseplate                     |
| 2   | 2   | 214622    | Frame Cylinder ★              |
| 3   | 1   | 4786-0468 | Bearing Segment – LH          |
| 4   | 2   | 214629    | T-Bar – Upper                 |
| 5   | 1   | 212723    | Fork Stop                     |
| 6   | 1   | 4787-0468 | Bearing Segment – RH          |
| 7   | 1   | 214631    | T-Bar – Lower                 |
| 8   | 2   | 214633    | T-Bar – Lower                 |
| 9   | 1   | 220143    | T-Bar – Upper                 |
| 10  | 4   | 4730-1040 | Bearing Segment               |
| 11  | 4   | 4730-1050 | Bearing Segment               |

▲ Includes Inner Fork Control Group 225394.

## Common Parts

| REF | QTY | PART NO. | DESCRIPTION          | REF | QTY | PART NO. | DESCRIPTION              |
|-----|-----|----------|----------------------|-----|-----|----------|--------------------------|
|     |     | 6105188  | Common Parts Group   | 28  | 4   | 210140   | Bearing Retainer         |
| 12  | 1   | 220009   | Retainer/Stop – RH   | 29  | 2   | 212585   | Bearing Retainer         |
| 13  | 1   | 6101490  | Retainer/Stop – LH   | 30  | 2   | 212586   | Bearing Retainer         |
| 14  | 2   | 210489   | Rod End Anchor ■     | 31  | 2   | 787398   | Washer                   |
| 15  | 22  | 211689   | Capscrew, M12 x 30   | 32  | 1   | 564226   | Restrictor Washer        |
| 16  | 4   | 768303   | Capscrew, M10 x 35 ■ | 33  | 1   | 213737   | Bracket – RH             |
| 17  | 1   | 216838   | Valve Assembly ▲     | 34  | 7   | 214053   | O-Ring                   |
| 18  | 1   | 211456   | Manifold             | 35  | 14  | 787375   | Capscrew, M8 x 20 GR 8.8 |
| 19  | 10  | 768208   | Capscrew, M8 x 25    | 36  | 1   | 213736   | Bracket – LH             |
| 20  | 4   | 210490   | Retainer Half Ring ■ | 37  | 1   | 6007050  | Valve Guard              |
| 21  | 1   | 6105189  | Sideshift Cylinder ● | 38  | 30  | 214487   | Capscrew, M12 x 40       |
| 22  | 2   | 672018   | Upper Bearing        | 39  | 2   | 215226   | Hanger                   |
| 23  | 2   | 208350   | Lower Bearing        | 40  | 4   | 787383   | Lockwasher, M10          |
| 24  | 2   | 212709   | Spacer Block         | 41  | 2   | 604511   | Fitting, 6-6 ◆           |
| 25  | 8   | 767615   | Capscrew, M10 x 25   | 42  | 2   | 601676   | Fitting, 6-6 ◆           |
| 26  | 2   | 209741   | Rod End ■            |     |     |          |                          |
| 27  | 4   | 684649   | Capscrew, M10 x 25   |     |     |          |                          |

★ See Frame Cylinder page for parts breakdown.

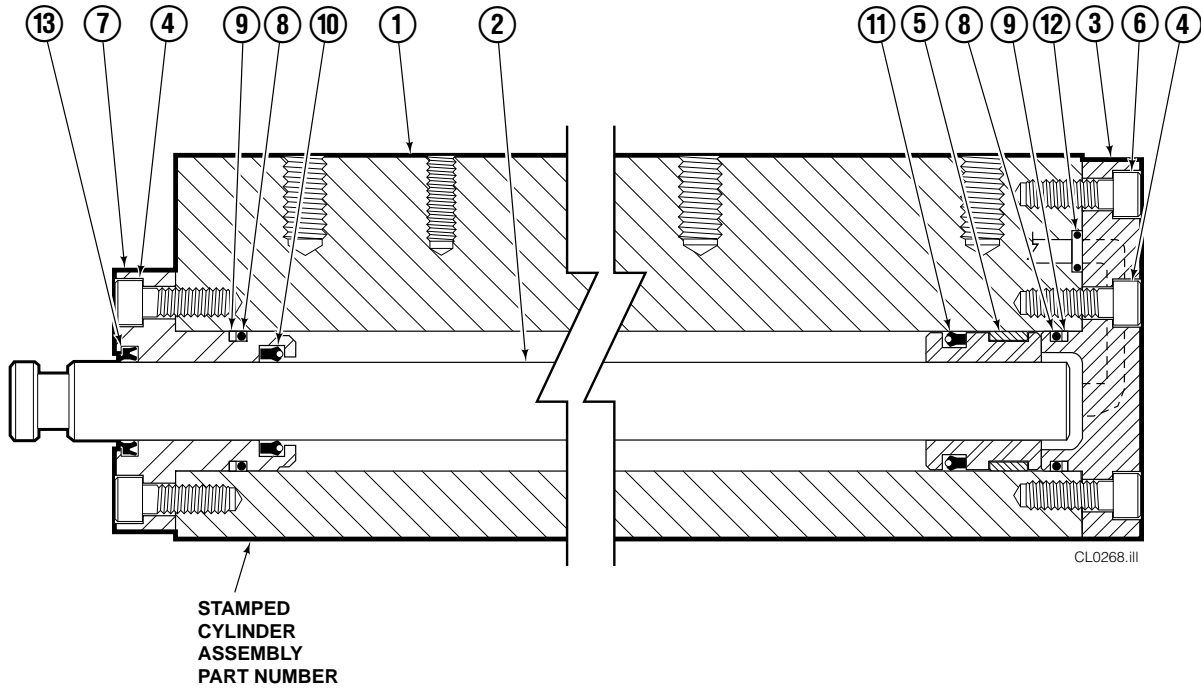
● See Sideshift Cylinder page for parts breakdown.

▲ See Valve Assembly page for parts breakdown.

◆ Included in Fitting Group 213099.

■ Included in Cylinder Rod Anchor Kit 213856.

# Frame Cylinder



| 55E |     |          |                   |
|-----|-----|----------|-------------------|
| REF | QTY | PART NO. | DESCRIPTION       |
|     |     | 214622   | Cylinder Assembly |
| 1   | 1   | 214623   | Cylinder/Shell    |
| 2   | 1   | 4157-825 | Rod               |
| 3   | 1   | 213783   | End Cap           |
| 4   | 8   | 768208   | Capscrew, M8 x 25 |
| 5   | 1   | 209809   | ▲ Bearing         |
| 6   | 1   | 787375   | Capscrew, M8 x 20 |
| 7   | 1   | 212452   | Retainer          |
| 8   | 3   | 643379   | ▲ O-Ring          |
| 9   | 2   | 210050   | ▲ Back-Up Ring    |
| 10  | 1   | 212477   | ▲ Seal            |
| 11  | 1   | 209808   | ▲ Seal            |
| 12  | 2   | 214053   | ▲ O-Ring          |
| 13  | 1   | 562131   | ▲ Wiper           |
|     |     | 210090   | Service Kit       |

▲ Included in Service Kit 210090.

Reference: S-4643, S-4644.

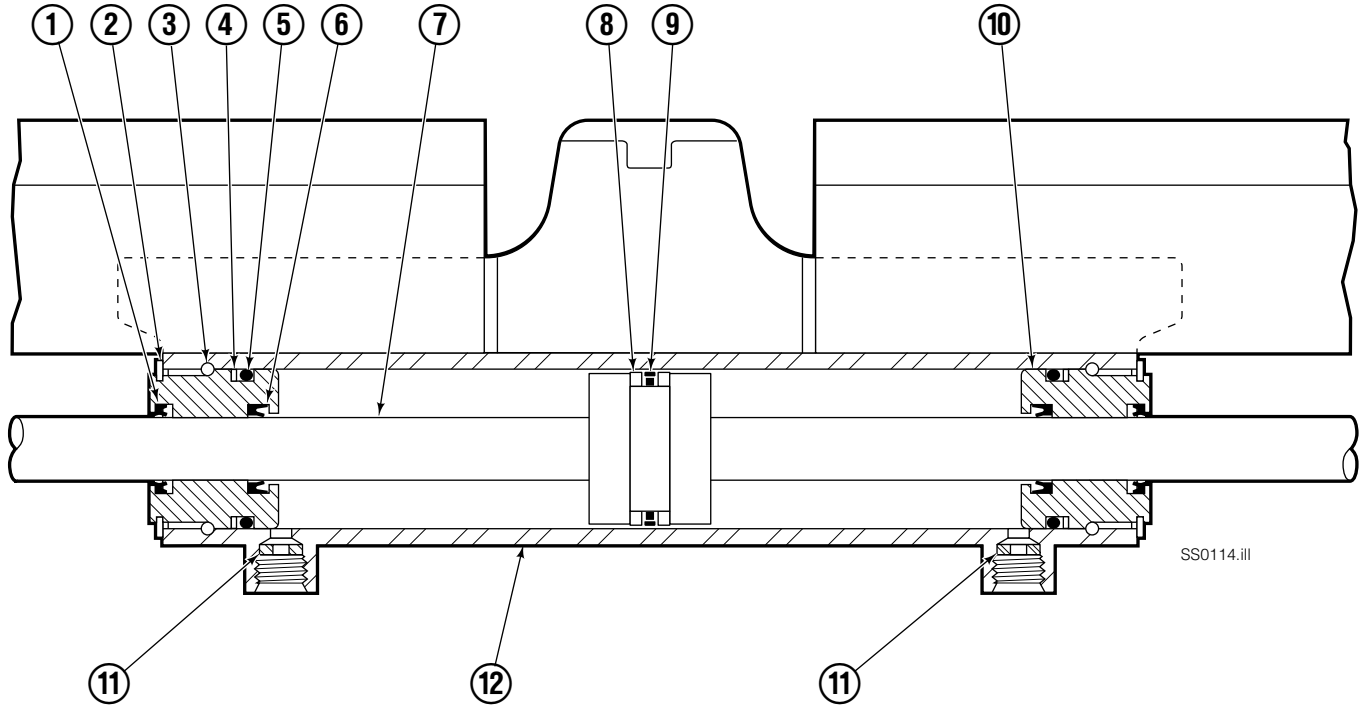
# Valve ITA Class III



SD0176.ill

| 55E |     |          |                        |
|-----|-----|----------|------------------------|
| REF | QTY | PART NO. | DESCRIPTION            |
|     |     | 216838   | Valve Assembly         |
| 1   | 1   | 219039   | Check Valve            |
| 2   | 1   | —        | Service Kit            |
| 3   | 1   | 609234   | Plug                   |
| 4   | 1   | 216839   | Valve Body             |
| 5   | 1   | 213535   | Crossover Relief Valve |
| 6   | 1   | 682170   | Service Kit            |
| 7   | 1   | 219040   | Flow Divider/Combiner  |
| 8   | 1   | —        | Service Kit            |

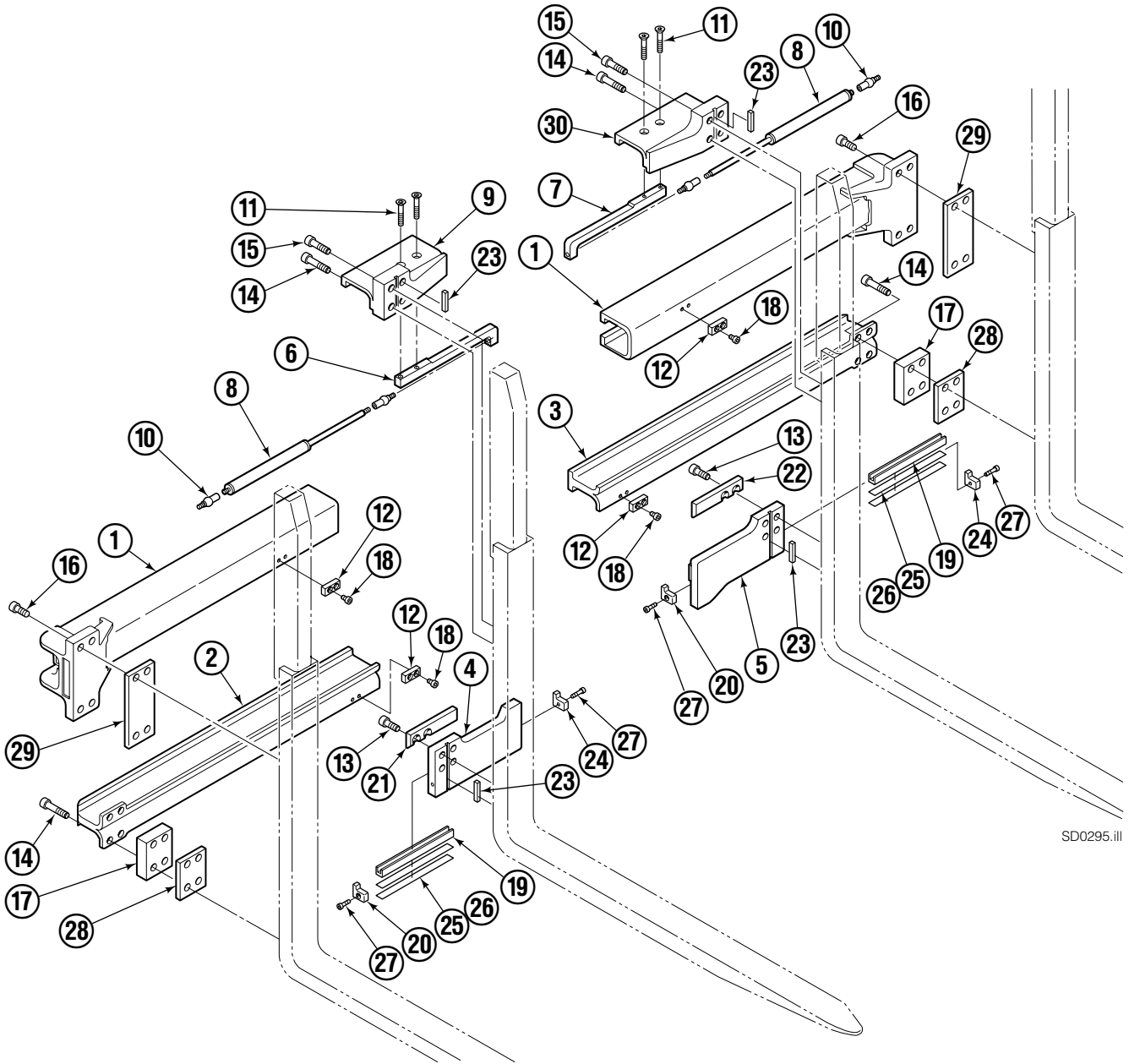
# Sideshift Cylinder ITA Class II



| 55E |     |          |                        |
|-----|-----|----------|------------------------|
| REF | QTY | PART NO. | DESCRIPTION            |
|     |     | 6105189  | Cylinder Assembly      |
| 1   | 2   | 562131   | ● Wiper Seal           |
| 2   | 2   | 562951   | Snap Ring              |
| 3   | 2   | 562942   | Retaining Ring         |
| 4   | 2   | 563388   | ● Back-Up Ring         |
| 5   | 2   | 562127   | ● O-Ring               |
| 6   | 2   | 562132   | ● Rod Seal             |
| 7   | 1   | 562055   | Rod                    |
| 8   | 2   | 563278   | ● Bearing Ring         |
| 9   | 1   | 564141   | ● Piston Seal          |
| 10  | 2   | 562792   | Retainer               |
| 11  | 2   | 564226   | Speed Control Washer ▲ |
| 12  | -   | ■        | Cylinder Shell         |
|     |     | 563487   | Service Kit            |

- Included in Service Kit 563487.
- Not serviceable, order new cylinder assembly.
- ▲ Reference: S-6105, Restrictor Group 205369.

# Arm Group



SD0295.iii

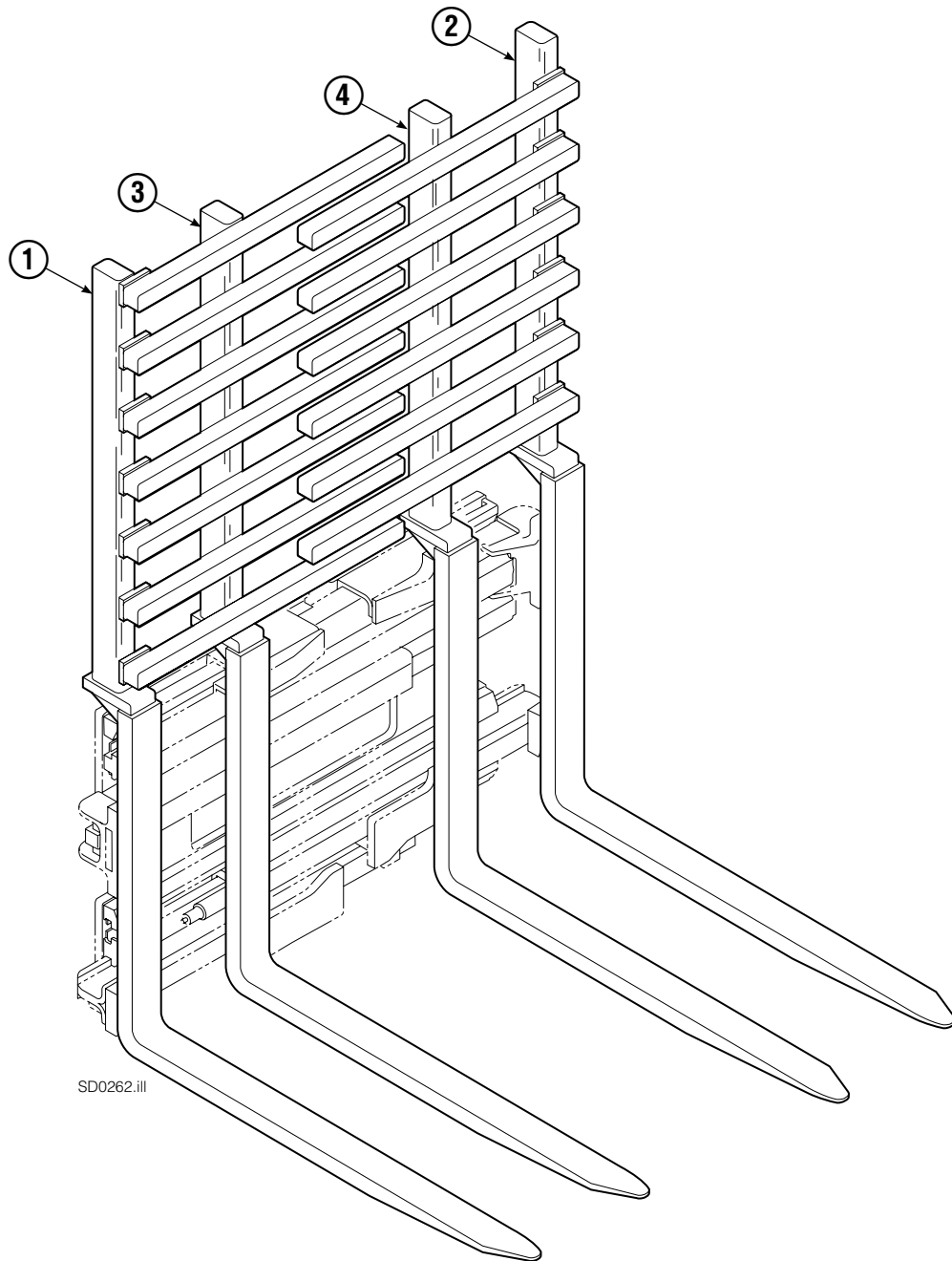
# Arm Group

| 55E |     |            |                    |
|-----|-----|------------|--------------------|
| REF | QTY | PART NO.   | DESCRIPTION        |
|     |     | 6104472    | Arm Group          |
| 1   | 2   | 220176     | Upper Arm Bar      |
| 2   | 1   | 220216     | Lower Arm Bar – RH |
| 3   | 1   | 220206     | Lower Arm Bar – LH |
| 4   | 1   | 220136     | Lower Hook – RH    |
| 5   | 1   | 220139     | Lower Hook – LH    |
| 6   | 1   | 28088-0354 | Bracket – RH       |
| 7   | 1   | 28087-0354 | Bracket – LH       |
| 8   | 2   | 6104267    | Gas Spring         |

| REF | QTY | PART NO.  | DESCRIPTION        | REF | QTY | PART NO. | DESCRIPTION           |
|-----|-----|-----------|--------------------|-----|-----|----------|-----------------------|
| 9   | 1   | 220095    | Upper Hook – RH    | 20  | 2   | 225345   | Bearing Retainer      |
| 10  | 4   | 213011    | Ball Joint         | 21  | 1   | 213899   | Bearing – RH          |
| 11  | 4   | 766646    | Capscrew, M10 x 20 | 22  | 1   | 213899   | Bearing – LH          |
| 12  | 4   | 212687    | Fork Stop          | 23  | 4   | 213364   | Key                   |
| 13  | 8   | 769574    | Capscrew, M16 x 35 | 24  | 2   | 225345   | Bearing Retainer      |
| 14  | 12  | 769578    | Capscrew, M16 x 60 | 25  | 6   | 212559   | Shim, .04 in. (1 mm)  |
| 15  | 4   | 769577    | Capscrew, M16 x 50 | 26  | –   | —        | Shim, .02 in. (.5 mm) |
| 16  | 8   | 769574    | Capscrew, M16 x 35 | 27  | 4   | 787375   | Capscrew, M8 x 20     |
| 17  | 2   | 210587    | Spacer             | 28  | –   | —        | Spacer                |
| 18  | 8   | 214414    | Capscrew, M10 x 12 | 29  | 4   | 797610   | Spacer                |
| 19  | 2   | 4501-0222 | Bearing Segment    | 30  | 1   | 6101471  | Upper Hook – LH       |

Reference: SK-6373, SK-6374, Common Parts Group 6105251.

# Interlocking Backrest/Fork Group

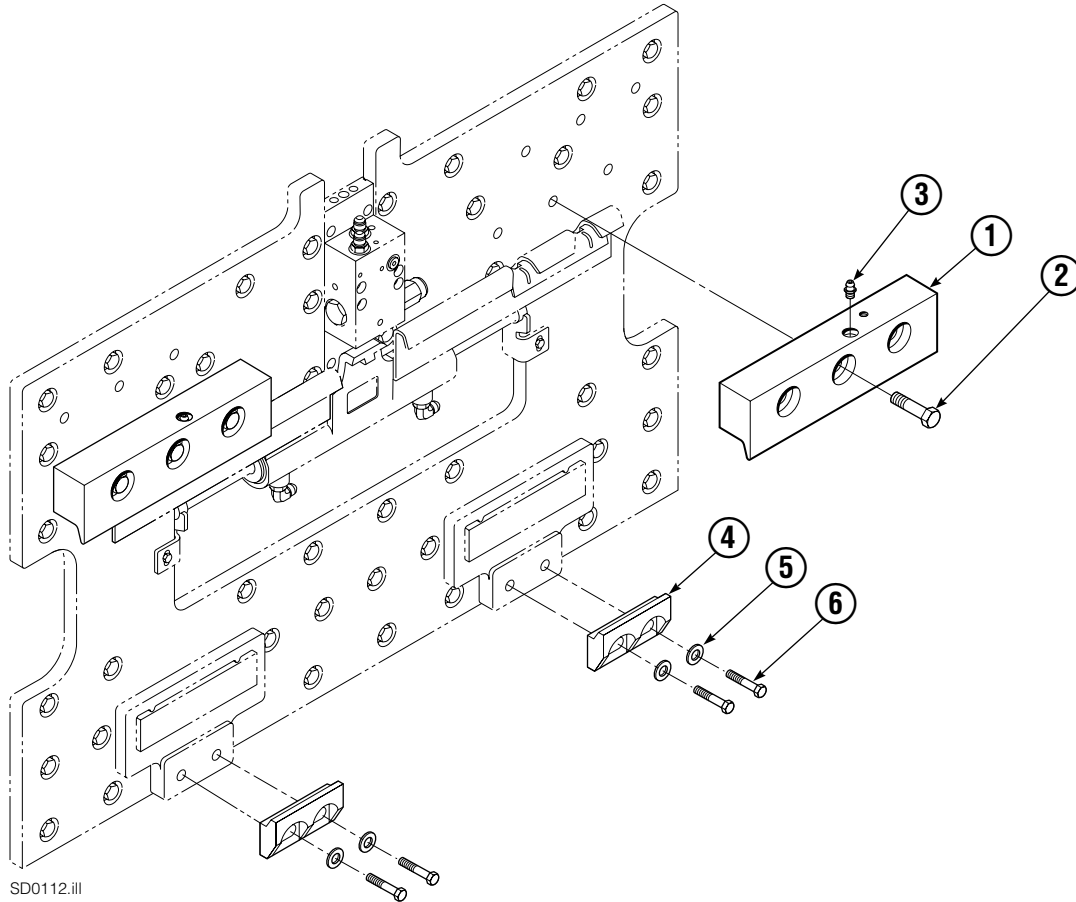


SD0262.iii

| REF | QTY | PART NO. | DESCRIPTION     |
|-----|-----|----------|-----------------|
|     |     | 6109103  | Fork Group      |
| 1   | 1   | 6109105  | Outer Fork - RH |
| 2   | 1   | 6109104  | Outer Fork - LH |
| 3   | 1   | 6109107  | Inner Fork - RH |
| 4   | 1   | 6109106  | Inner Fork - LH |

Reference: S-4555, S-4560, S-4559, S-4554, S-4563, S-4558.

# Mounting Group ITA Class III



| 55E |     |          |                    |
|-----|-----|----------|--------------------|
| REF | QTY | ITA III  | DESCRIPTION        |
|     |     | PART NO. |                    |
|     |     | 3001382  | Upper Hook Group ▲ |
|     |     | 211175   | Lower Hook Group ★ |
| 1   | 2   | 219379   | Upper Hook         |
| 2   | 6   | 678997   | Capscrew, M16x70   |
| 3   | 2   | 7403     | Grease Fitting     |
| 4   | 2   | 675969   | Lower Hook         |
| 5   | 4   | 667910   | Washer             |
| 6   | 4   | 211128   | Capscrew, M16 x 30 |

▲ Includes items 1 & 2.

★ Includes items 4, 5, & 6.

Reference: SK-6116.

**Do you have questions you need answered right now?** Call your nearest Cascade Parts Department. Visit us online at [www.cascorp.com](http://www.cascorp.com)

**Cascade Corporation**  
2501 Sheridan Avenue  
Springfield, OH 45505  
Tel: 888-CASCADE (227-2233)  
FAX: 888-329-0234

**Cascade Canada Inc.**  
5570 Timberlea Blvd.  
Mississauga, Ontario  
Canada L4W-4M6  
Tel: 905-629-7777  
FAX: 905-629-7785

**Cascade GmbH**  
D-41199 Monchengladbach  
Klosterhofweg 52  
Germany  
Tel: 49-216-668230  
FAX: 49-216-6682323

**Cascade Finland**  
Albert Petreliuksenkatu 3  
01370 Vantaa  
Finland  
Tel: 358-9-836-1925  
FAX: 358-9-836-1935

**Cascade N.V.  
European Headquarters**  
P.O. Box 3009  
1300 El Almere  
Damluisweg 56  
1332 ED Almere  
The Netherlands  
Tel: 31-36-5492911  
FAX: 31-36-5492964

**Cascade N.V.  
Benelux Sales and Service**  
P.O. Box 3009  
1300 El Almere  
Damluisweg 56  
1332 ED Almere  
The Netherlands  
Tel: 31-36-5492950  
FAX: 31-36-5492974

**Cascade (UK) Ltd.**  
15, Orgreave Crescent  
Dore House Industrial Estate  
Handsworth  
Sheffield S13 9NQ  
England  
Tel: 742-697524  
FAX: 742-695121

**Cascade Scandinavia AB**  
Box 124  
Hammarvägen 10  
567 23 Vaggeryd  
Sweden  
Tel: 42-0-393-36950  
FAX: 46-0-393-36959

**Cascade Norway**  
Østerliveien 37A  
1153 Oslo  
Norway  
Tel: 47-22-743160  
FAX: 47-22-743157

**Cascade France S.A.R.L.**  
1D Rue De Charaintru  
BP 18, 91360 Epinay-Sur-Orge  
Morangis Cedex, France  
Tel: 33-1- 64547500  
FAX: 33-1-64547501

**Cascade Hispania S.A.**  
Carrer 5 Sector C  
Zona Franca Duanera  
Poligono de la Zon Franca  
08040 Barcelona, Spain  
Office No. 256  
Tel: 93-264-07-30  
FAX: 93-264-07-31

**Cascade Japan Ltd.**  
5-5-41,  
Torikai Kami  
Settsu, Osaka  
Japan, 566  
Tel: 81-726-53-3490  
FAX: 81-726-53-3497

**Cascade Korea**  
108B, Namdong Ind Complex  
658-3 Gojan-Dong  
Namdong-Gu  
Inchon, 405-310 Korea  
Tel: 82-32-821-2051  
FAX: 82-32-821-2055

**Cascade Australia**  
1445 Ipswich Road  
Rocklea, QLD 4106  
Australia  
Tel: 1-800227-223  
FAX: (07) 3373-7333

**Cascade New Zealand**  
15 Ra Ora Drive  
East Tamaki, Auckland  
New Zealand  
Tel: 9-273-9136  
FAX: 9-273-9137

**Cascade (Africa) Pty. Ltd.**  
P.O. Box 625, Isando 1600  
60A Steel Road  
Sparton, Kempton Park  
South Africa  
Tel: 27-11-975-9240  
FAX: 27-11-394-1147

**Cascade-Xiamen**  
No. 668 Yangguang Rd.  
Xinyang Industrial Zone  
Haicang, Xiamen City  
Fujian Province  
P.R. China 361026  
Tel: 86-592-651-2500  
FAX: 86-592-651-2571

**Cascade (Singapore)  
Trading Co.**  
Four Seasons Park  
Autumn Block - Apt. 1802  
12 Cuscaden Walk  
Singapore  
Tel: 65-834-1935  
FAX: 65-834-1936

