



Parts Manual

Model Visionary Multi Load Handler

Serial Number 55E-FD-014

cascade[®]

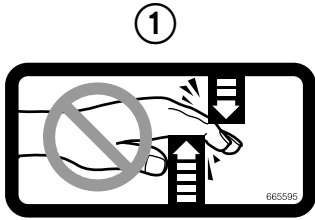
For Technical Assistance and to Order Parts . . .

Call: 1-800-CASCADE or 503-669-6300

OR

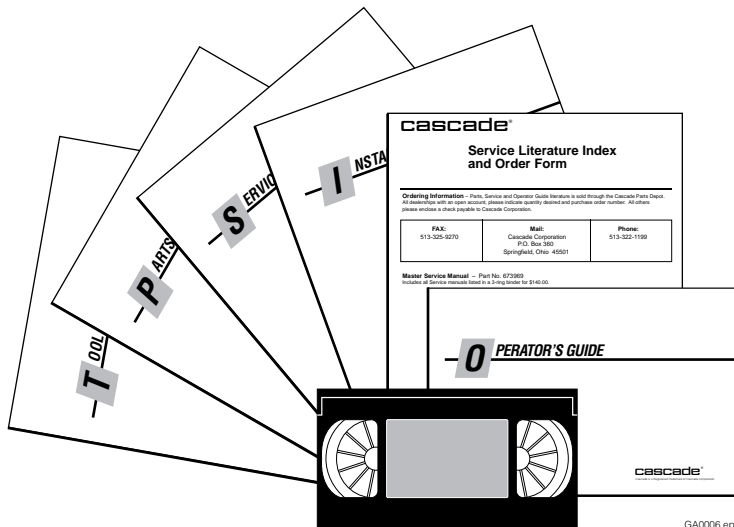
Write: Cascade Corporation, P.O. Box 20187, Portland, OR 97294-0187

Decals



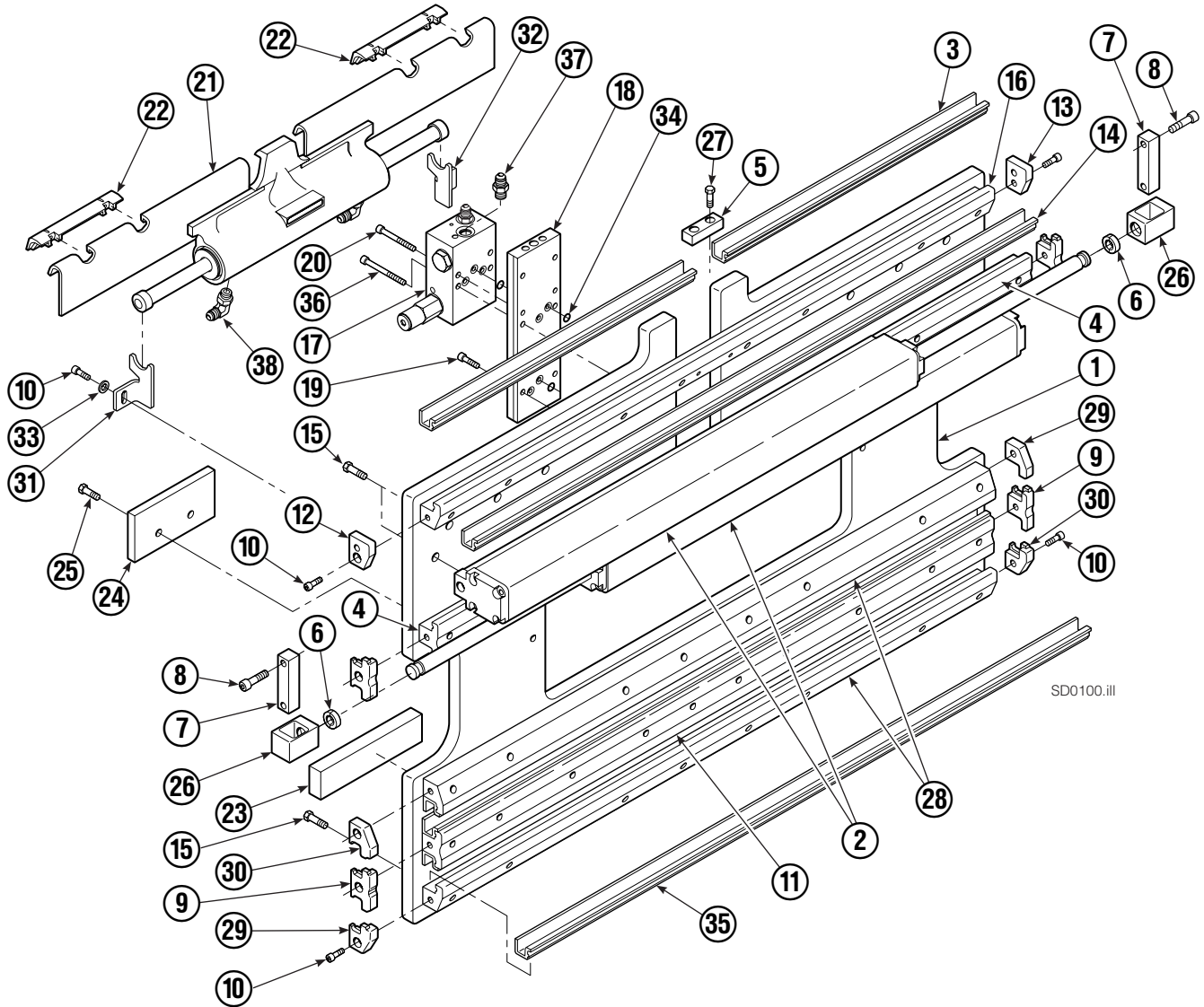
55E			
REF	QTY	PART NO.	DESCRIPTION
1	6	665595	No Hand Hold Decal
2	4	679150	No Step Decal

Publications



55E	
PART NO.	DESCRIPTION
	Parts Manual
213580	Operator's Guide
213372	Installation Instructions
679929	Tool Catalog
673964	Literature Index Order Form

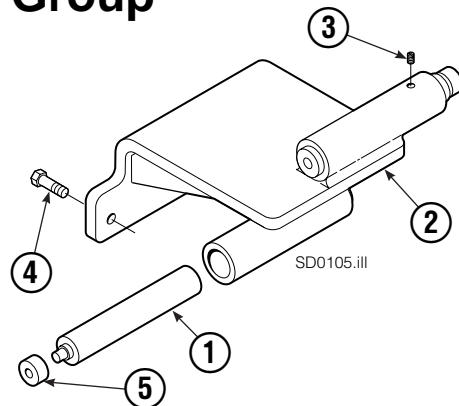
Base Unit Group – ITA Class II



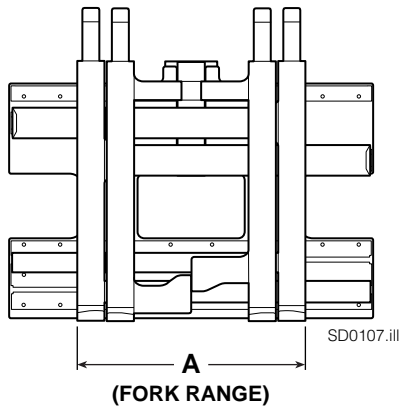
Inner Fork Control Group

55E			
REF	QTY	PART NO.	DESCRIPTION
		214046	Inner Fork Control Group ▼
1	2	213853	Gas Spring
2	1	213852	Actuator Bracket
3	2	5134	Setscrew
4	3	767810	Capscrew, M12 x 25
5	2	214043	Rod End

▼ Included in Base Unit Group 212549.



Base Unit Group – ITA Class II



NOTE: Position the outer forks to minimum width and measure **A** to determine minimum outer fork outside to outside (OTO) range.

55E					
		DIMENSION – A			
		MINIMUM OTO FORK RANGE			
		26 in. (660 mm)	27.5 in. (700 mm)	31.9 in. (810 mm)	
REF	QTY	PART NO.	PART NO.	PART NO.	DESCRIPTION
		212547	212549 ▼	212551	Base Unit Group – Class II
1	1	212422	214045	212430	Baseplate Class – II
2	2	212696	212698	212700	Frame Cylinder ★
3	2	4318-0490	4318-0470	4318-0415	Bearing Segment
4	2	212554	212555	212555	T-Bar – Upper
5	1	212722	212723	212724	Fork Stop

▼ Includes Inner Fork Control Group 214046.

Common Parts

REF	QTY	PART NO.	DESCRIPTION	REF	QTY	PART NO.	DESCRIPTION
6	4	210490	Retainer Half Ring ■	23	2	208350	Lower Bearing
7	2	210489	Rod End Anchor ■	24	2	212709	Spacer Block
8	4	768303	Capscrew, M10 x 35 ■	25	4	767615	Capscrew, M10 x 25
9	4	210140	Bearing Retainer	26	2	209741	Rod End ■
10	12	787375	Capscrew, M8 x 20 GR 8.8	27	2	684649	Capscrew, M10 x 25
11	1	212556	T-Bar – Lower	28	2	212571	T-Bar – Lower
12	1	211380	Retainer/Stop – RH	29	2	212585	Bearing Retainer
13	1	211379	Retainer/Stop – LH	30	2	212586	Bearing Retainer
14	4	4318-1050	Bearing Segment	31	1	213737	Bracket – RH
15	50	211689	Capscrew, M12 x 30 GR 10.9	32	1	213736	Bracket – LH
16	1	212562	T-Bar – Upper	33	2	787398	Washer, M8
17	1	212567	Valve Assembly ▲	34	7	214053	O-Ring
18	1	211455	Manifold	35	4	4318-1040	Bearing Segment
19	6	768208	Capscrew, M8 x 25	36	2	768802	Capscrew, M8 x 70
20	2	768800	Capscrew, M8 x 60	37	2	604511	Fitting, 6-6
21	1	205842	Sideshift Cylinder ●	38	2	601676	Fitting, 6-6
22	2	204187	Upper Bearing				

★ See Frame Cylinder page for parts breakdown.

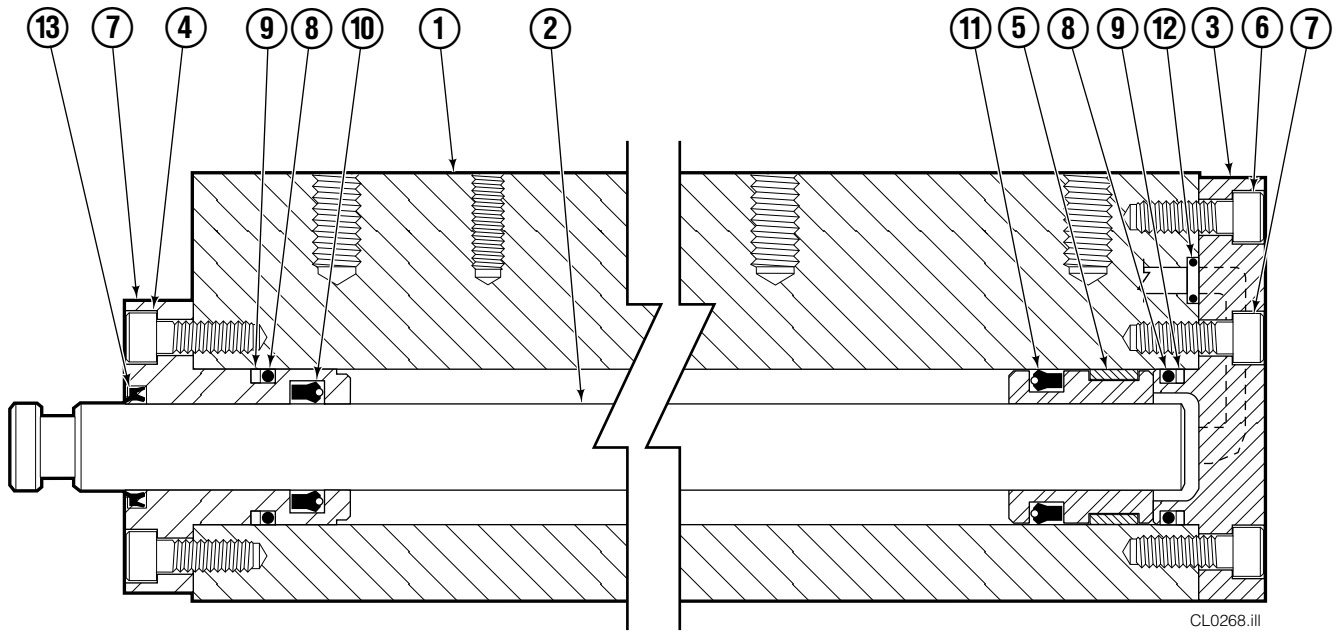
● See Sideshift Cylinder page for parts breakdown.

▲ See Valve Assembly – Class II page for parts breakdown.

Reference: SK-6116.

■ Included in Cylinder Rod Anchor Kit 213856.

Frame Cylinder

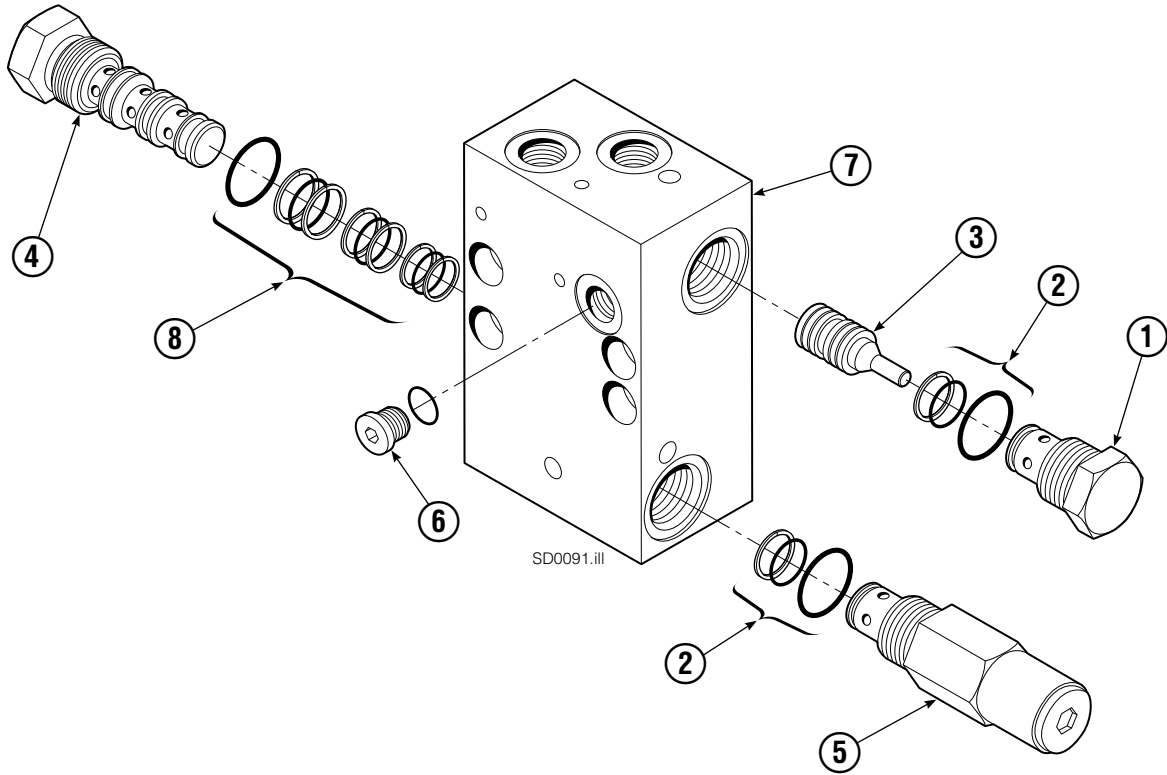


55E							
REF	QTY	PART NO.	DESCRIPTION	REF	QTY	PART NO.	DESCRIPTION
		212696	Cylinder Assembly-26 in. (660 mm)	8	3	210053	O-Ring ▲
1	1	212697	Cylinder/Shell	9	2	210050	Back-Up Ring ▲
2	1	4157-805	Rod	10	1	212477	Seal ▲
3	1	209801	End Cap	11	1	209808	Seal ▲
4	8	768208	Capscrew, M8 x 25	12	2	210092	O-Ring ▲
5	1	209809	Bearing ▲	13	1	562131	Wiper ▲
6	1	787375	Capscrew, M8 x 20			210090	Service Kit
7	1	212452	Retainer				

▲ Included in Service Kit 210090.

Reference: S-4152, S-4151.

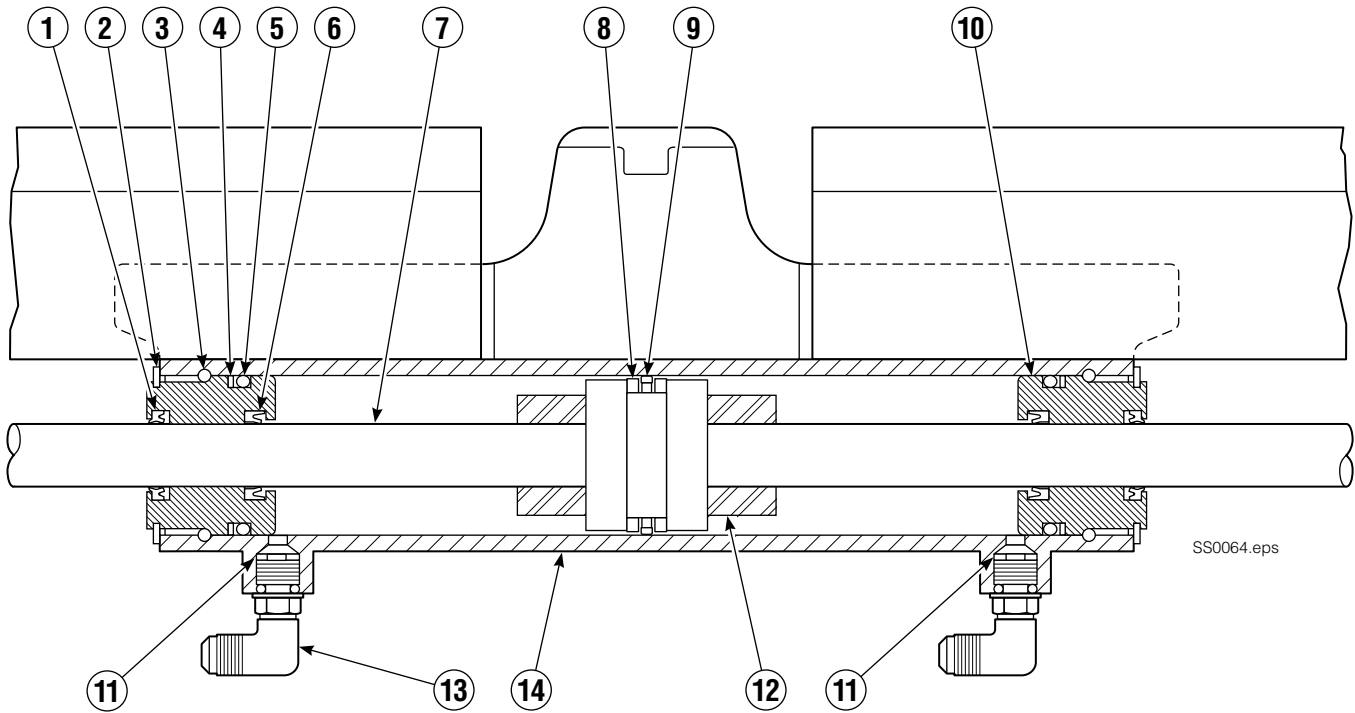
Valve ITA Class II



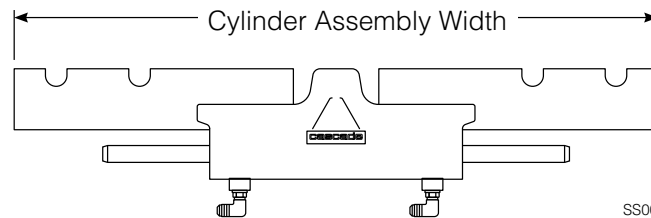
55E			
REF	QTY	PART NO.	DESCRIPTION
		212567	Valve Assembly
1	1	209847	Check Valve
2	2	682170	Service Kit ▲
3	1	210265	Piston
4	1	210266	Flow Divider/Combiner
5	1	213535	Crossover Relief Valve
6	1	609234	Fitting, 4
7	1	211453	Valve Body
8	1	679992	Service Kit ▲
		213604	Valve Service Kit

▲ Included in Valve Service Kit 213604.

Cylinder



SS0064.eps



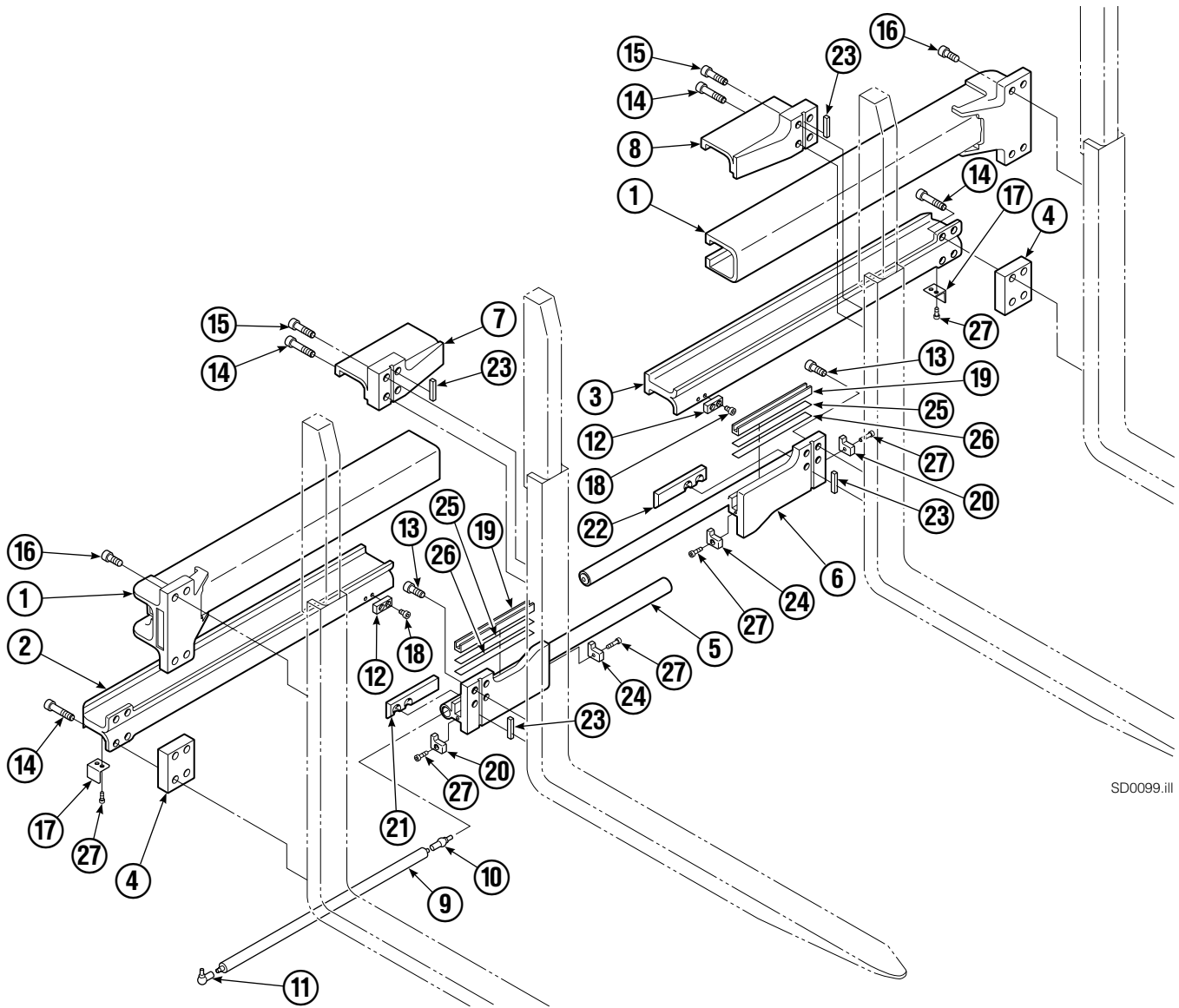
SS0065.eps

55E

REF	QTY	PART NO.	DESCRIPTION	REF	QTY	PART NO.	DESCRIPTION
		205842	Cylinder Assembly, 31.9 in. (810 mm)	● 8	2	563278	Bearing Ring
● 1	2	562131	Wiper Seal	● 9	1	564141	Piston Seal
2	2	562951	Snap Ring	10	2	562792	Retainer
3	2	562942	Retaining Ring	11	1	205369	Speed Control Washer
● 4	2	563388	Back-Up Ring	12	2	-	Spacer
● 5	2	562127	O-Ring	13	2	601676	Fitting, JIC 6-6
● 6	2	562132	Rod Seal	14	-	■	Cylinder Shell
7	1	562055	Rod			563487	Service Kit

- Included in Service Kit 563487.
- Not serviceable, order new cylinder assembly.

Arm Group



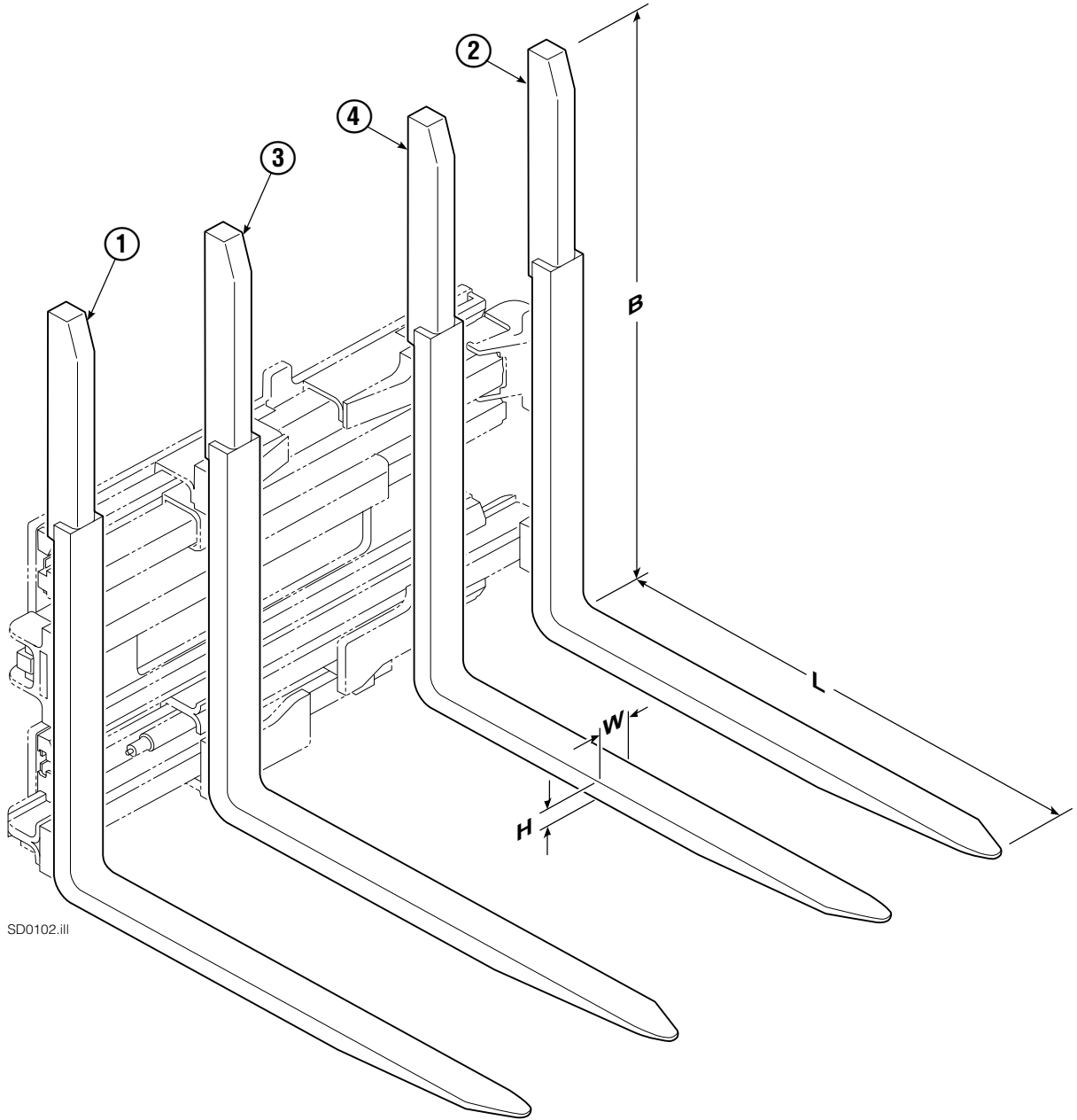
SD0099.ill

55E							
REF	QTY	PART NO.	DESCRIPTION	REF	QTY	PART NO.	DESCRIPTION
		212580	Arm Group	14	12	769578	Capscrew, M16 x 60
1	2	4316-0799	Upper Arm Bar	15	4	769577	Capscrew, M16 x 50
2	1	211674	Lower Arm Bar - RH	16	8	769573	Capscrew, M16 x 30
3	1	211673	Lower Arm Bar - LH	17	2	213022	Guard
4	2	210587	Spacer	18	4	213023	Capscrew, M10 x 16
5	1	212994	Lower Hook - RH	19	2	4501-0222	Bearing Segment
6	1	212997	Lower Hook - LH	20	2	212979	Bearing Retainer
7	1	211384	Upper Hook - RH	21	1	212682	Bearing - RH
8	1	211383	Upper Hook - LH	22	1	213899	Bearing - LH
9	2	212683	Gas Spring ▲	23	4	213364	Key
10	2	213011	Ball Joint ▲	24	2	213360	Bearing Retainer
11	2	213012	Ball Joint ▲	25	4	212559	Shim, .04 in. (.1 mm)
12	2	212687	Lower Fork Stop	26	4	213913	Shim, .020 in. (.5 mm)
13	8	769574	Capscrew, M16 x 35	27	8	787375	Capscrew, M8 x 20

▲ Included in Gas Spring Kit 213855.

Reference: SK-6116.

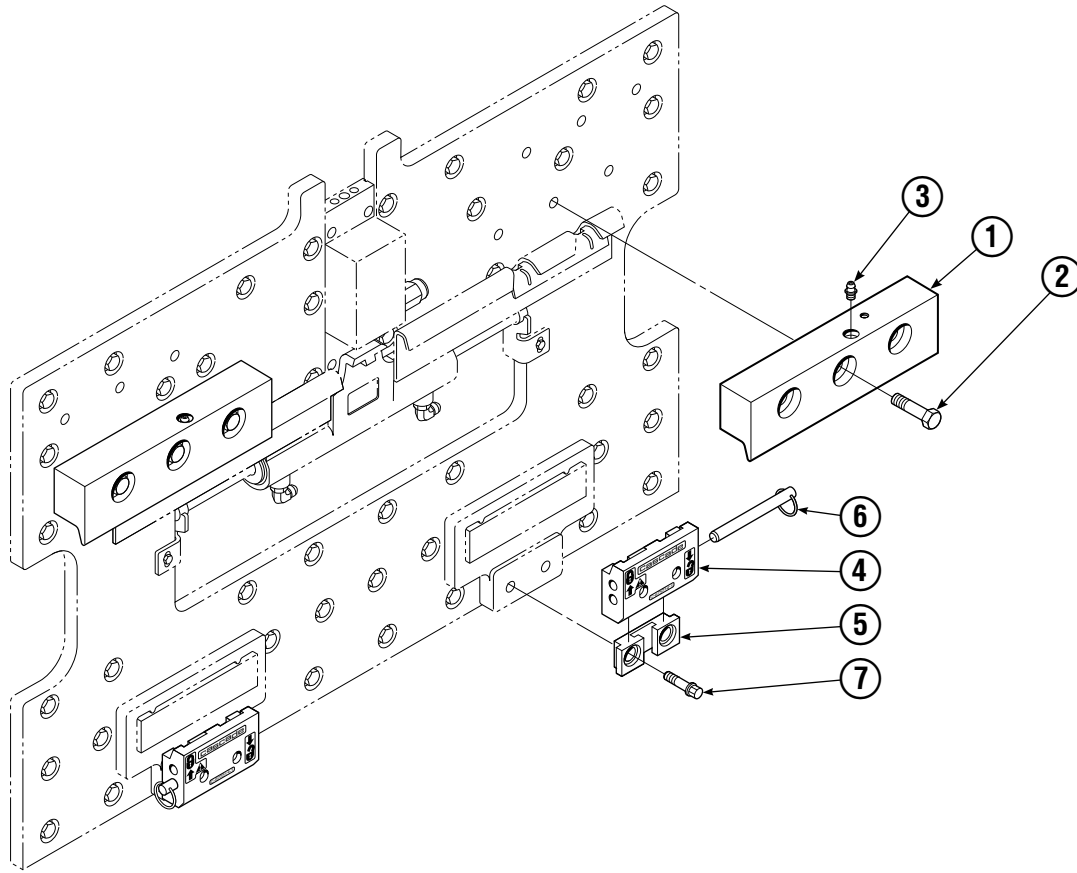
Tube Backrest/Fork Group



SD0102.iii

55E								
SIZE (IN.)				FORK GROUP PART NO.	REF 1	REF 2	REF 3	REF 4
L	W	H	B		Outer Fork-RH	Outer Fork-LH	Inner Fork-RH	Inner Fork-LH
42.1	3.2	1.8	48	212605	212761	212760	212801	212800

Mounting Group ITA Class II



SD0104.ill

55E			
REF	QTY	ITA II	DESCRIPTION
		PART NO.	
		212569	Upper Hook Group ▲
		683179	Lower Hook Group ★
1	2	210591	Upper Hook
2	6	751511	Capscrew, M16x55
3	2	7403	Grease Fitting
4	2	675514	Lower Hook
5	2	675515	Guide
6	2	678832	Pin
7	4	683182	Capscrew

▲ Includes items 1, & 2.

★ Includes items 4, 5, 6, & 7.

Reference: SK-6116.

Do you have questions you need answered right now? Call your nearest Cascade Parts Department.

Cascade Corporation
2501 Sheridan Avenue
Springfield, OH 45505
Tel: 888-CASCADE (227-2233)
FAX: 888-329-0234

Cascade Canada Inc.
5570 Timberlea Blvd.
Mississauga, Ontario
Canada L4W-4M6
Tel: 905-629-7777
FAX: 905-629-7785

Cascade GmbH
D-41199 Monchengladbach
Klosterhofweg 52
Germany
Tel: 21-66-602091
FAX: 21-66-680947

Cascade Finland
01370 Vantas
Finland
Tel: 358-0-836-1925
FAX: 358-0-836-1935

**Cascade N.V.
European Headquarters**
P.O. Box 3009
1300 El Almere
Damsluisweg 56
1332 ED Almere
The Netherlands
Tel: 31-36-5492911
FAX: 31-36-5492964

**Cascade N.V.
Benelux Sales and Service**
P.O. Box 3009
1300 El Almere
Damsluisweg 56
1332 ED Almere
The Netherlands
Tel: 31-36-5492950
FAX: 31-36-5492974

Cascade (UK) Ltd.
15, Orgreave Crescent
Dore House Industrial Estate
Handsworth
Sheffield S13 9NQ
England
Tel: 742-697524
FAX: 742-695121

**Cascade Scandinavia
Hydraulik A.B.**
Muskötgatan 19, E8-9
S25466 Helsingborg
Sweden
Tel: 42-151135
FAX: 42-152997

Cascade Norway
Østerliveien 37A
1153 Oslo
Norway
Tel: 47-22-743160
FAX: 47-22-743157

Cascade France S.A.R.L.
11, Rue Jean Charcot
Zone Industrielle Sud or
B.P. 22
91421 Morangis Cedex
France
Tel: 1- 64547501
FAX: 1-9790584

Cascade Hispania S.A.
Avenida De La Fabregada, 7
Hospitalet De Llobregat
Barcelona
Spain
Tel: 3-335-5158
FAX: 3-335-4756

Cascade Japan Ltd.
5-5-41,
Torikai Kami
Settsu, Osaka
Japan, 566
Tel: 81-726-53-3490
FAX: 81-726-53-3497

Cascade Korea
Room 508, Pum Yang Bldg.
750-14, Bang Bac-Dong
Se-Cho Ku, Seoul
Korea
Tel: 2599-7131 ext. 512
FAX: 2533-8089

HYCO-Cascade Pty. Ltd.
87 Antimony Street
Carole Park,
Brisbane 4300
Australia
Tel: 7-271-1966
FAX: 7-271-3830

HYCO-Cascade (NZ) Ltd.
15 Ra Ora Drive, East Tamaki
P.O. Box 38-440
Howick, Auckland
New Zealand
Tel: 9-273-9136
FAX: 9-273-9137

Cascade (Africa) Pty. Ltd.
P.O. Box 625, Isando 1600
60A Steel Road
Sparton, Kempton Park
South Africa
Tel: 975-9240
FAX: 394-1147

Cascade-Xiamen
Wanshan No. 1 Workshop
Huli Road
Xiamen 361006
Fujian, PRC
Tel: 592-562-4600
FAX: 592-562-4671

**Cascade (Singapore)
Trading Co.**
Four Seasons Park
Autumn Block - Apt. 1802
12 Cascaden Walk
Singapore
Tel: 65-834-1935
FAX: 65-834-1936

