



Parts Manual

Model 15D Carton Clamp

Serial Number 15D-CCS-190

cascade[®]
corporation

For Technical Assistance call: 800-227-2233, Fax: 888-329-8207

To Order Parts call: 888-227-2233, Fax: 888-329-0234

OR

Write: Cascade Corporation, P.O. Box 20187, Portland, OR 97220

Internet: www.cascorp.com

Safety Decals



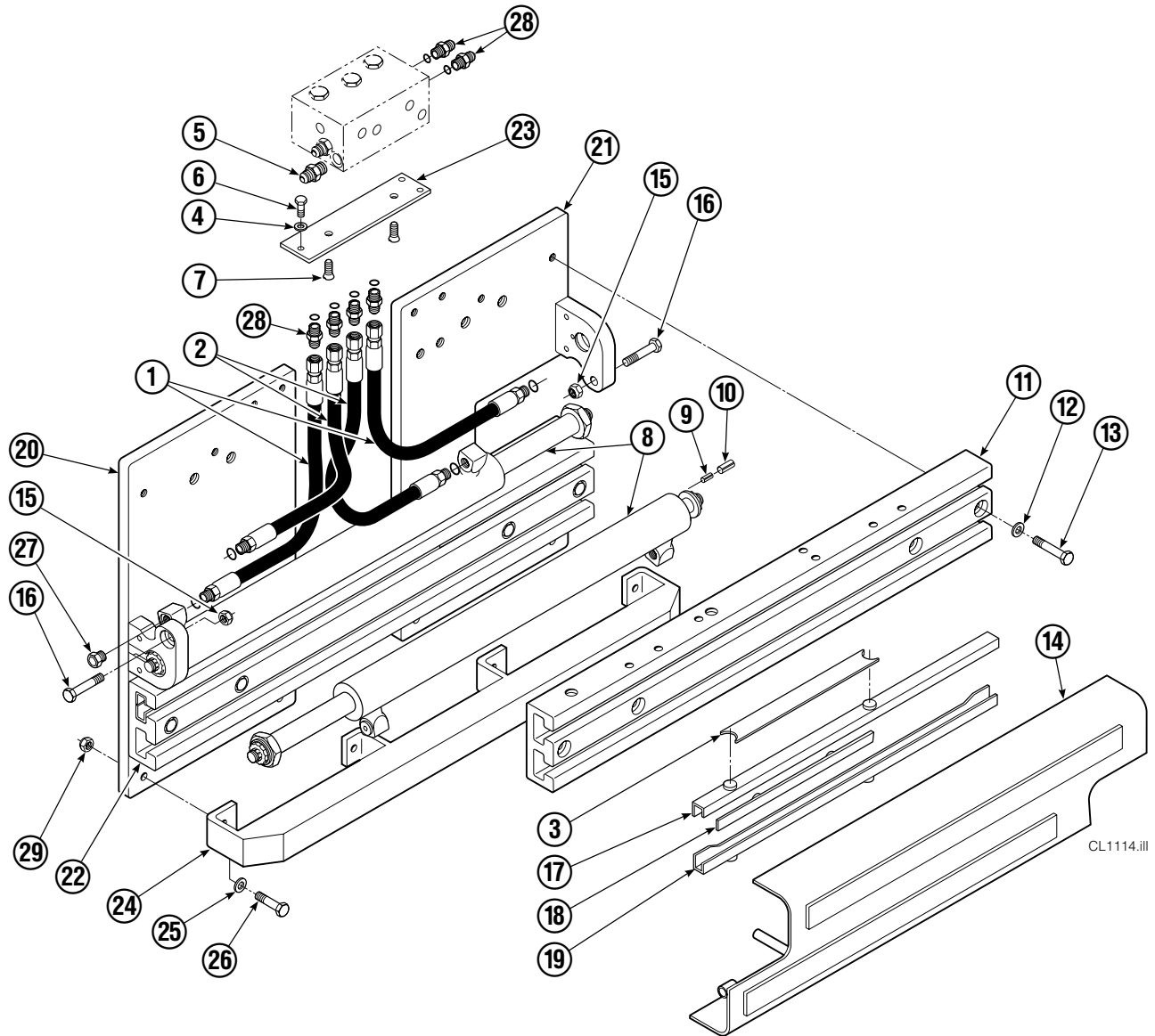
| REF | QTY | PART NO. | DESCRIPTION |
|-----|-----|----------|-------------------------|
| 1 | 1 | 679150 | No Step Decal |
| 2 | 2 | 665595 | No Hand Hold Decal |
| 3 | 1 | 679059 | Quick Change Hook Decal |

Publications



| PART NO. | DESCRIPTION |
|----------|---------------------------------|
| 670487 | Service Manual |
| 670834 | Operators Guide |
| 670488 | Installation Instructions |
| 680664 | Servicing Cascade Cylinders-VHS |
| 679929 | Tool Catalog |
| 673964 | Literature Index Order Form |

Base Unit Group



CL1114.iii

15D

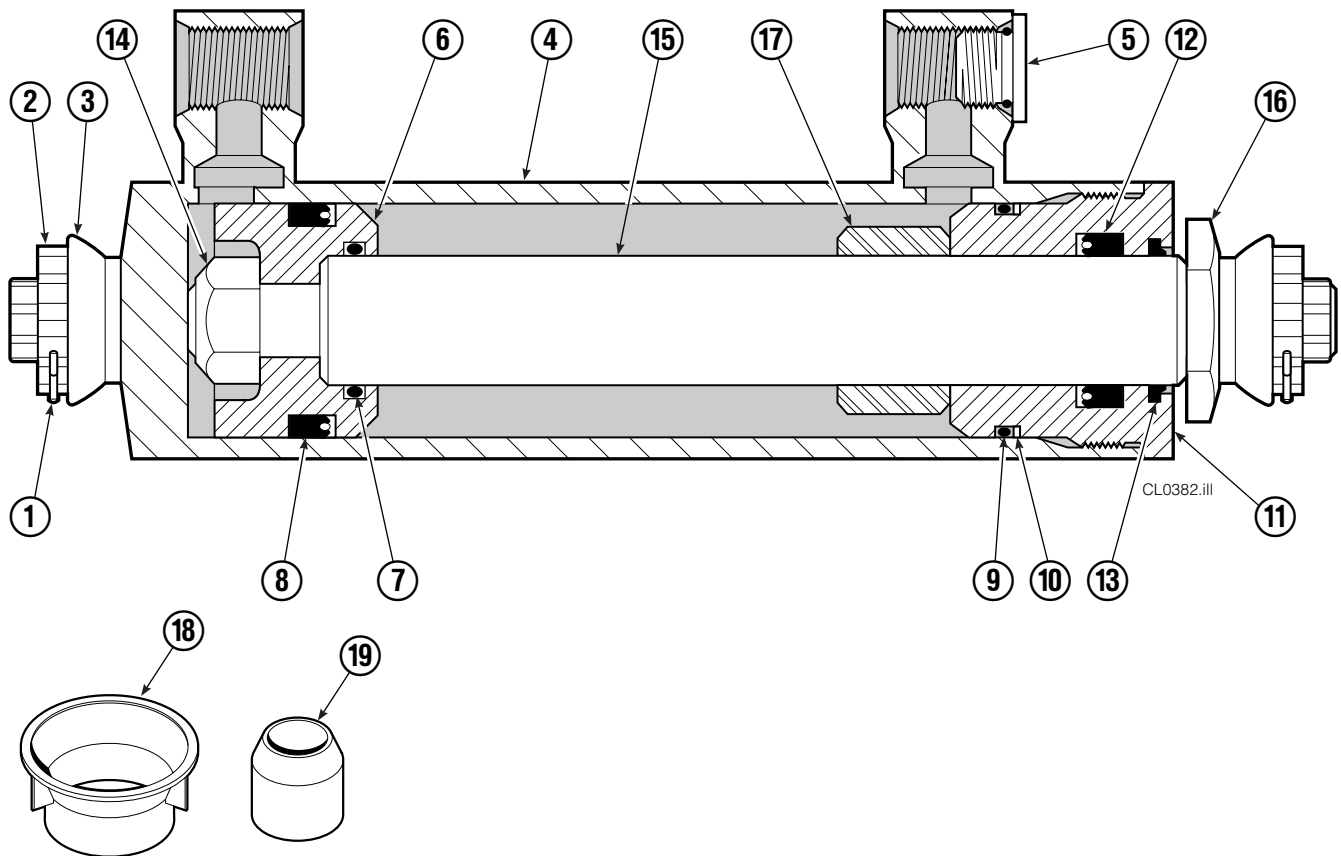
| REF | QTY | PART NO. | DESCRIPTION | REF | QTY | PART NO. | DESCRIPTION |
|-----|-----|----------|------------------|-----|-----|----------|---------------------|
| 1 | 2 | 210436 | Hose, 24.75 in. | 16 | 2 | 768414 | Capscrew, M12x65 |
| 2 | 2 | 210449 | Hose, 18.25 in. | 17 | 4 | 208858 | Bearing |
| 3 | 1 | 675326 | Shim Kit ■ | 18 | 4 | 667663 | Bearing |
| 4 | 2 | 209021 | Washer, M10 | 19 | 4 | 208857 | Bearing |
| 5 | 1 | 601377 | Fitting, 8-8 | 20 | 1 | 220996 | Mounting Plate - RH |
| 6 | 2 | 684594 | Capscrew, M10x20 | 21 | 1 | 220997 | Mounting Plate - LH |
| 7 | 2 | 766646 | Capscrew, M10x20 | 22 | 1 | 221417 | Frame - Lower |
| 8 | 2 | 204200 | Cylinder ▲ | 23 | 1 | 669957 | Plate |
| 9 | 2 | 768953 | Roll Pin - Inner | 24 | 1 | 671545 | Bumper - Lower |
| 10 | 2 | 769009 | Roll Pin - Outer | 25 | 4 | 683001 | Washer |
| 11 | 1 | 221280 | Frame - Upper | 26 | 4 | 768556 | Capscrew, M12x45 |
| 12 | 8 | 667910 | Washer | 27 | 2 | 602580 | Fitting, 8 |
| 13 | 8 | 684659 | Capscrew, M12x75 | 28 | 6 | 611288 | Fitting, 6-8 |
| 14 | 1 | 672331 | Bumper | 29 | 4 | 688387 | Nut |
| 15 | 2 | 763025 | Nut, M12 | | | | |

■ Includes two .015 Shims, and eight .020 Shims.

▲ See Cylinder page or parts breakdown.

Reference: Base Unit 6019694, SK-6390 R-3.

Clamp Cylinder



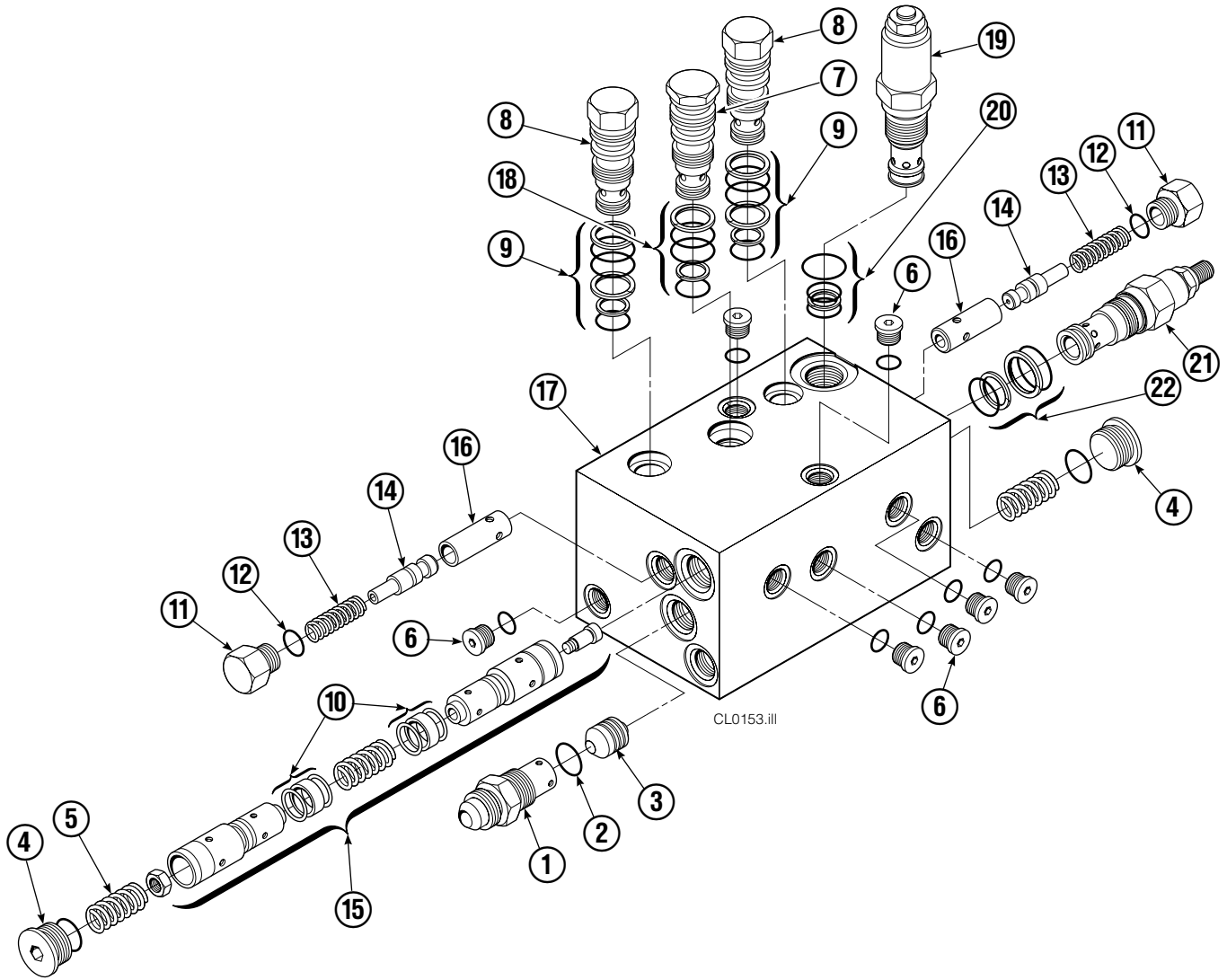
| REF | QTY | PART NO. | DESCRIPTION |
|-----|-----|----------|-------------------------|
| | | 204200 | Cylinder Assembly |
| 1 | 2 | 6510 | Cotter Pin ■ |
| 2 | 2 | 667624 | Nut Retainer ■ |
| 3 | 2 | 667625 | Nut ■ |
| 4 | 1 | 559662 | Shell |
| 5 | 1 | 602580 | Fitting |
| 6 | 1 | 559702 | Piston |
| 7 | 1 | 2716 | O-Ring ▲ |
| 8 | 1 | 557598 | Seal ▲ |
| 9 | 1 | 2722 | O-Ring ▲ |
| 10 | 1 | 615126 | Back-Up Ring ▲ |
| 11 | 1 | 413799 | Retainer |
| 12 | 1 | 662448 | Seal ▲ |
| 13 | 1 | 636853 | Wiper ▲ |
| 14 | 1 | 667623 | Nut |
| 15 | 1 | 416991 | Rod |
| 16 | 1 | 667626 | Washer |
| 17 | 1 | — | Spacer |
| 18 | 1 | 671047 | Seal Loader, Piston ▲ |
| 19 | 1 | 671051 | Seal Loader, Retainer ▲ |
| | | 560729 | Service Kit |

▲ Included in Service Kit 560729.

■ Included in Nut Service Kit 668926.

Reference: ST-0283, ST-0284.

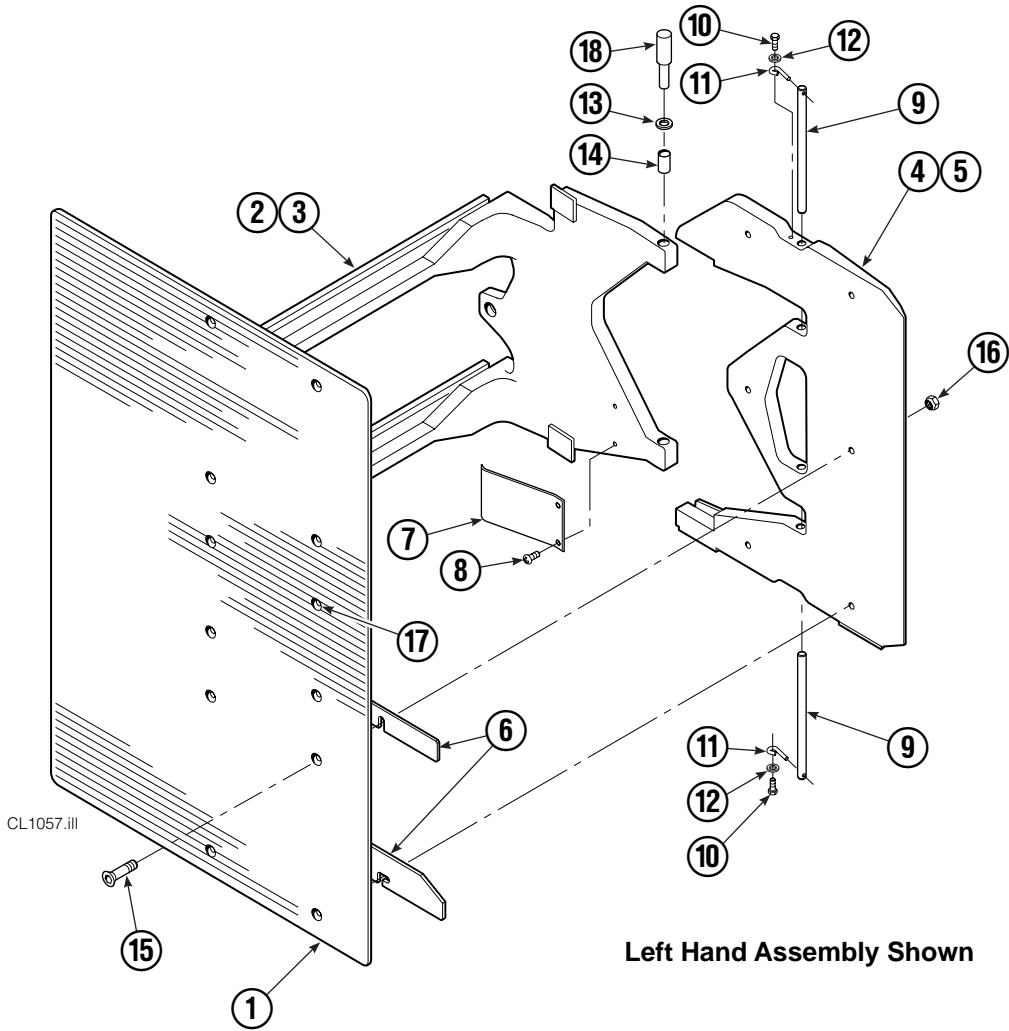
Valve Group



| REF | QTY | PART NO. | DESCRIPTION | REF | QTY | PART NO. | DESCRIPTION |
|-----|-----|----------|--------------------|-----|-----|----------|----------------|
| | | 343684 | Valve Group | 12 | 2 | 2840 | O-Ring ● |
| 1 | 1 | 667490 | Special Fitting | 13 | 2 | 673098 | Spring |
| 2 | 1 | 2841 | O-Ring ● | 14 | 2 | 667492 | Poppet |
| 3 | 1 | 667471 | Spool | 15 | 1 | 673089 | Spool Assembly |
| 4 | 2 | 609453 | Fitting, 10 | 16 | 2 | 667491 | Sleeve |
| 5 | 2 | 667487 | Spring | 17 | 1 | 343685 | Valve Body |
| 6 | 7 | 604510 | Fitting, 6 | 18 | 1 | 661347 | Service Kit ● |
| 7 | 1 | 678270 | Check Valve – VPO | 19 | 1 | 334615 | Relief Valve |
| 8 | 2 | 659058 | Check Valve – PO | 20 | 1 | 684625 | Service Kit |
| 9 | 2 | 667516 | Service Kit ● | 21 | 1 | 343687 | Relief Valve |
| 10 | 1 | 679846 | Low Flow Spool Kit | 22 | 1 | 667510 | Service Kit |
| 11 | 2 | 667494 | Fitting | | | 667513 | Service Kit |

● Included in Service Kit 667513.

Arms and Pads



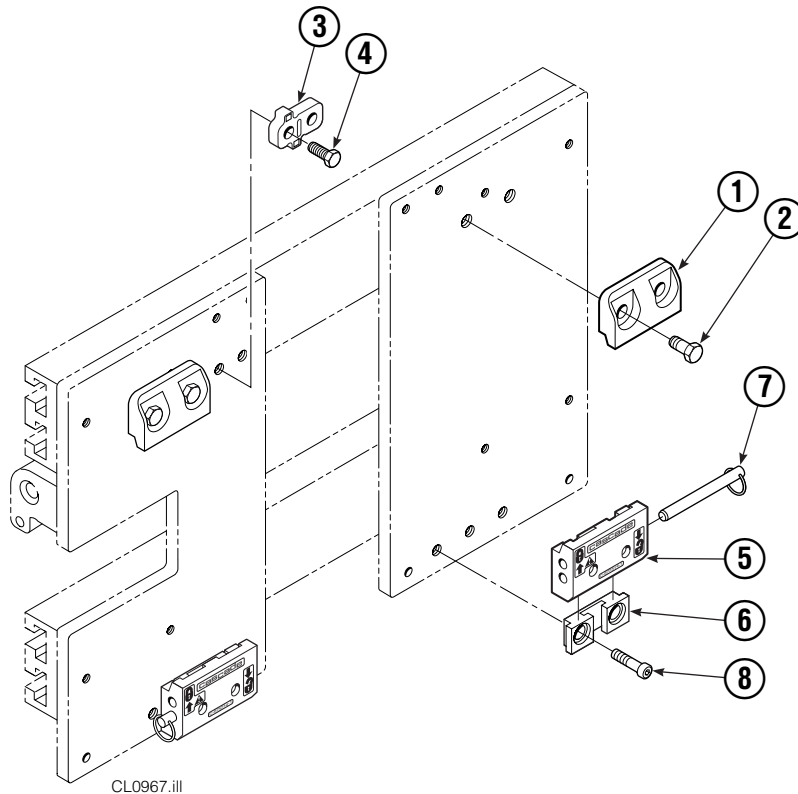
| 15D | | | | | | | |
|-----|-----|----------|---------------------------|-----|-----|----------|------------------------|
| REF | QTY | PART NO. | DESCRIPTION | REF | QTY | PART NO. | DESCRIPTION |
| 1 | 2 | 221510 | Contact Pad – 30x48 in. ■ | 10 | 4 | 787372 | Capscrew, M8 x 20 |
| 2 | 1 | 221534 | Arm – LH | 11 | 4 | 682999 | Eye Pin |
| 3 | 1 | 221489 | Arm – RH | 12 | 4 | 787398 | Washer, M8 |
| 4 | 1 | 221499 | Stabilizer – LH | 13 | 8 | 675620 | Washer, M10 |
| 5 | 1 | 221495 | Stabilizer – RH | 14 | 8 | 200590 | Bushing |
| 6 | 1 | 221501 | Shim Kit | 15 | 12 | 768706 | Capscrew, M12 x 35 |
| 7 | 2 | 210154 | Spring | 16 | 12 | 773842 | Nut, M12 |
| 8 | 4 | 203405 | Capscrew, M10 x 16 | 17 | ▲ | 676841 | Contact Pad Repair Kit |
| 9 | 4 | 210161 | Pin | 18 | 1 | 675626 | Tool – Bushing Driver |

Reference: 221498, 221511, SK-6390.

▲ Repairs one hole.

■ Length x Height.

Quick-Change Mounting Group



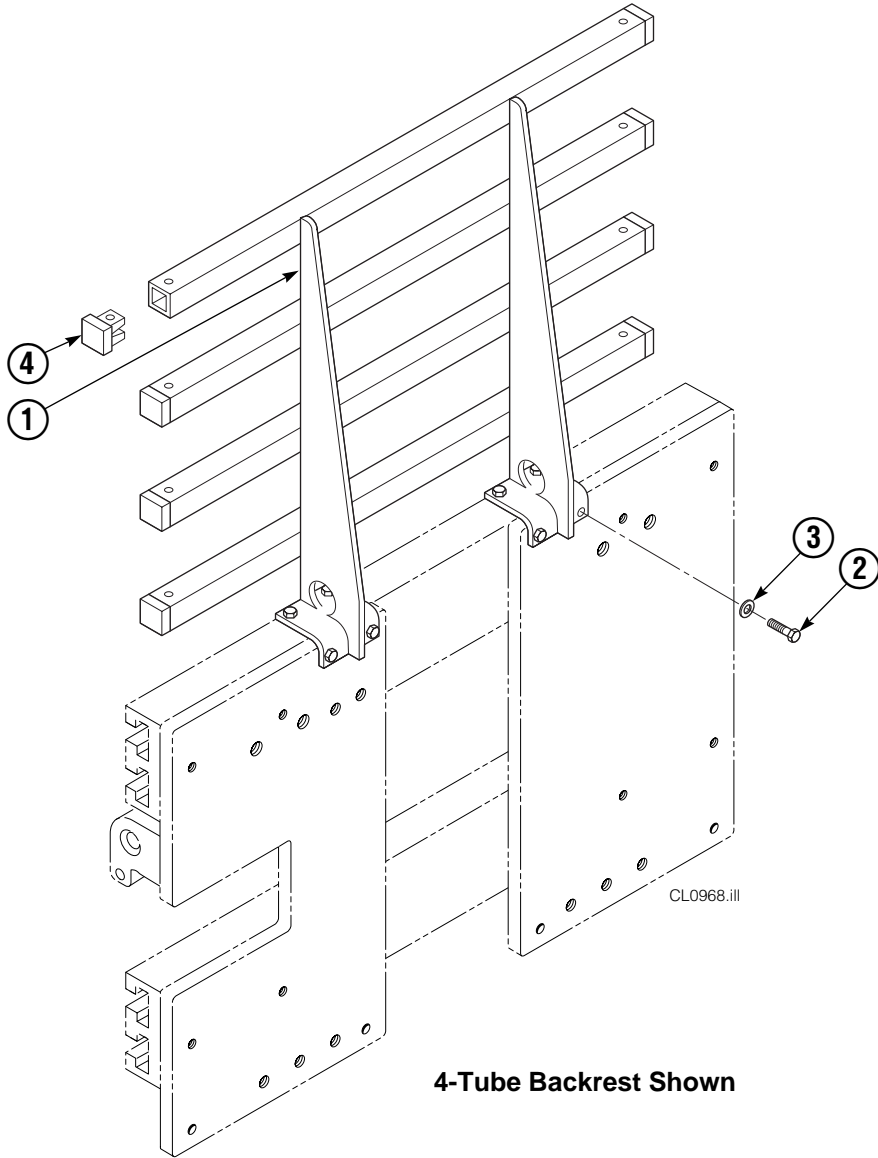
| REF | QTY | ITA II | DESCRIPTION |
|-----|-----|----------|------------------------|
| | | PART NO. | |
| | | 211162 | Upper Mounting Group ▲ |
| | | 211174 | Lower Mounting Group ● |
| 1 | 2 | 210491 | Upper Hook |
| 2 | 4 | 768577 | Capscrew, M20 x 35 |
| 3 | 1 | 212999 | Center Key |
| 4 | 2 | 211129 | Capscrew, M16 x 35 |
| 5 | 2 | 675514 | Lower Hook |
| 6 | 2 | 675515 | Guide |
| 7 | 2 | 678832 | Pin |
| 8 | 4 | 211180 | Capscrew, M16 x 30 |

▲ Includes items 1–4.

● Includes items 5–8.

Reference: SK-6390.

Backrest Group



| 15D | | | |
|-----|-----|----------|------------------|
| REF | QTY | PART NO. | DESCRIPTION |
| | | 221577 | Backrest Group |
| 1 | 1 | 669897 | Backrest |
| 2 | 8 | 767810 | Capscrew, M10x25 |
| 3 | 8 | 667910 | Washer, M10 |
| 4 | 8 | 674356 | Tube End |

Reference: SK-6390.

Do you have questions you need answered right now? Call your nearest Cascade Parts Department.

Cascade Corporation
2501 Sheridan Avenue
Springfield, OH 45505
Tel: 888-CASCADE (227-2233)
FAX: 888-329-0234
www.cascorp.com

Cascade Canada Inc.
5570 Timberlea Blvd.
Mississauga, Ontario
Canada L4W-4M6
Tel: 905-629-7777
FAX: 905-629-7785

Cascade GmbH
D-41199 Monchengladbach
Klosterhofweg 52
Germany
Tel: 21-66-602091
FAX: 21-66-680947

Cascade Finland
01370 Vantas
Finland
Tel: 358-0-836-1925
FAX: 358-0-836-1935

**Cascade N.V.
European Headquarters**
P.O. Box 3009
1300 El Almere
Damsluisweg 56
1332 ED Almere
The Netherlands
Tel: 31-36-5492911
FAX: 31-36-5492964

**Cascade N.V.
Benelux Sales and Service**
P.O. Box 3009
1300 El Almere
Damsluisweg 56
1332 ED Almere
The Netherlands
Tel: 31-36-5492950
FAX: 31-36-5492974

Cascade (UK) Ltd.
15, Orgreave Crescent
Dore House Industrial Estate
Handsworth
Sheffield S13 9NQ
England
Tel: 742-697524
FAX: 742-695121

**Cascade Scandinavia
Hydraulik A.B.**
Muskötgatan 19, E8-9
S25466 Helsingborg
Sweden
Tel: 42-151135
FAX: 42-152997

Cascade Norway
Østerliveien 37A
1153 Oslo
Norway
Tel: 47-22-743160
FAX: 47-22-743157

Cascade France S.A.R.L.
11, Rue Jean Charcot
Zone Industrielle Sud or
B.P. 22
91421 Morangis Cedex
France
Tel: 1- 64547501
FAX: 1-9790584

Cascade Hispania S.A.
Avenida De La Fabregada, 7
Hospitalet De Llobregat
Barcelona
Spain
Tel: 3-335-5158
FAX: 3-335-4756

Cascade Japan Ltd.
5-5-41,
Torikai Kami
Settsu, Osaka
Japan, 566
Tel: 81-726-53-3490
FAX: 81-726-53-3497

Cascade Korea
Room 508, Pum Yang Bldg.
750-14, Bang Bac-Dong
Se-Cho Ku, Seoul
Korea
Tel: 2599-7131 ext. 512
FAX: 2533-8089

HYCO-Cascade Pty. Ltd.
1445 Ipswich Road
Rocklea,
Queensland 4107
Australia
Tel: 3-274-2722
FAX: 3-274-3456

HYCO-Cascade (NZ) Ltd.
15 Ra Ora Drive, East Tamaki
P.O. Box 38-440
Howick, Auckland
New Zealand
Tel: 9-273-9136
FAX: 9-273-9137

Cascade (Africa) Pty. Ltd.
P.O. Box 625, Isando 1600
60A Steel Road
Sparton, Kempton Park
South Africa
Tel: 975-9240
FAX: 394-1147

Cascade-Xiamen
Wanshan No. 1 Workshop
Huli Road
Xiamen 361006
Fujian, PRC
Tel: 592-562-4600
FAX: 592-562-4671

**Cascade (Singapore)
Trading Co.**
Four Seasons Park
Autumn Block - Apt. 1802
12 Cascaden Walk
Singapore
Tel: 65-834-1935
FAX: 65-834-1936

