



Parts Manual

Model 60G Roll Clamp

Serial Number 60G-RCP-249

cascade[®]
corporation

For Technical Assistance call: 800-227-2233, Fax: 888-329-8207

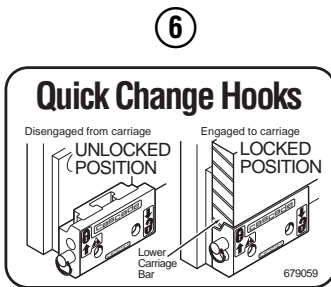
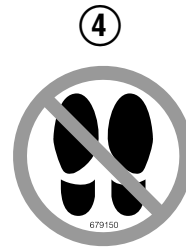
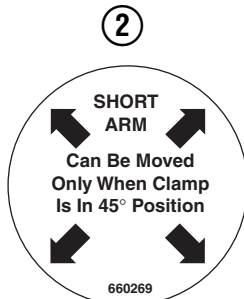
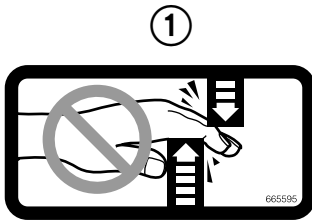
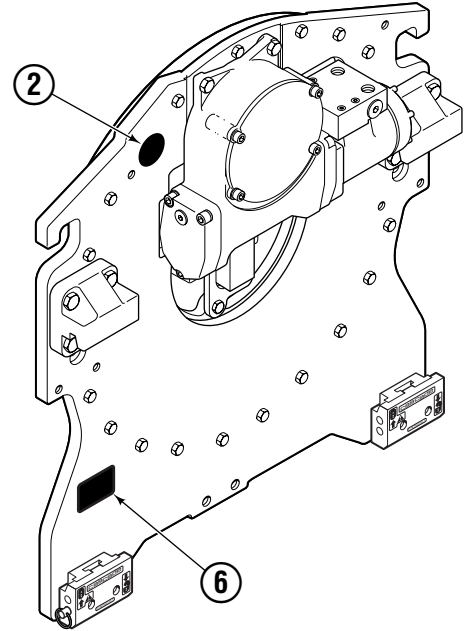
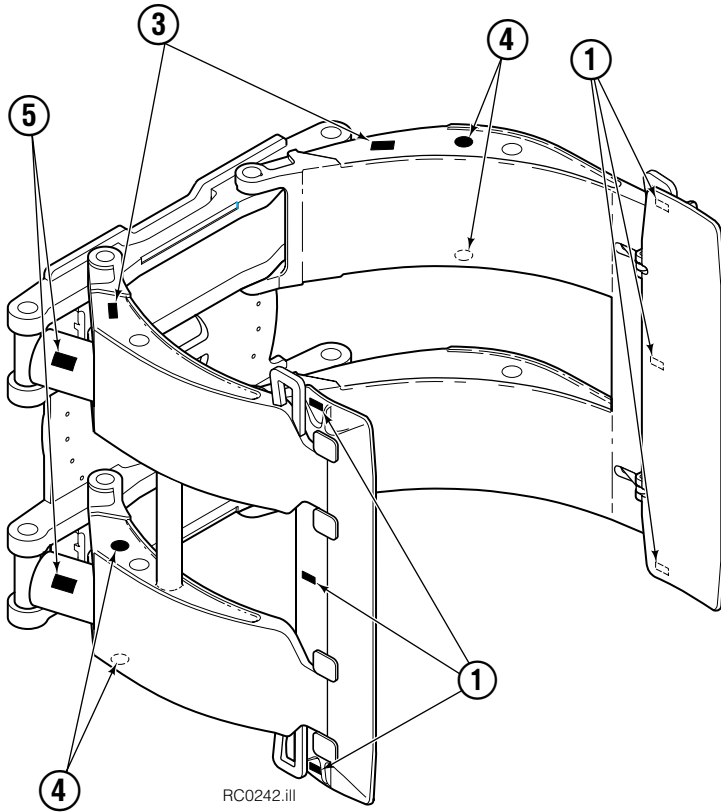
To Order Parts call: 888-227-2233, Fax: 888-329-0234

OR

Write: Cascade Corporation, P.O. Box 20187, Portland, OR 97220

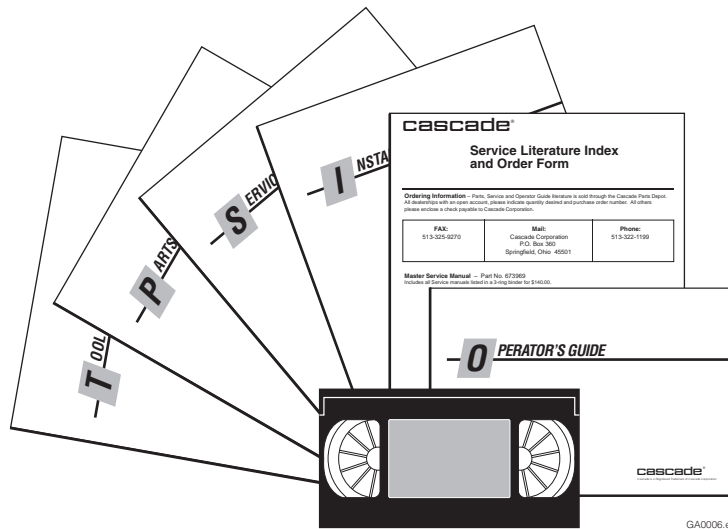
Internet: www.cascorp.com

Decals



| 60G | | | |
|-----|-----|----------|-----------------------------------|
| REF | QTY | PART NO. | DESCRIPTION |
| 1 | 4 | 665595 | No Hand Hold Decal |
| 2 | 2 | 660269 | Short Arm Rotation Position Decal |
| 3 | 6 | 656038 | Caution Decal |
| 4 | 4 | 679150 | No Step Decal |
| 5 | 4 | 665677 | Trapped Pressure Decal |
| 6 | 1 | 679059 | Quick-Change Hook Decal |
| 7 | 1 | 671167 | Oil Fill Tag (not shown) |
| | | 212926 | Decal Kit, (items 1-7) |

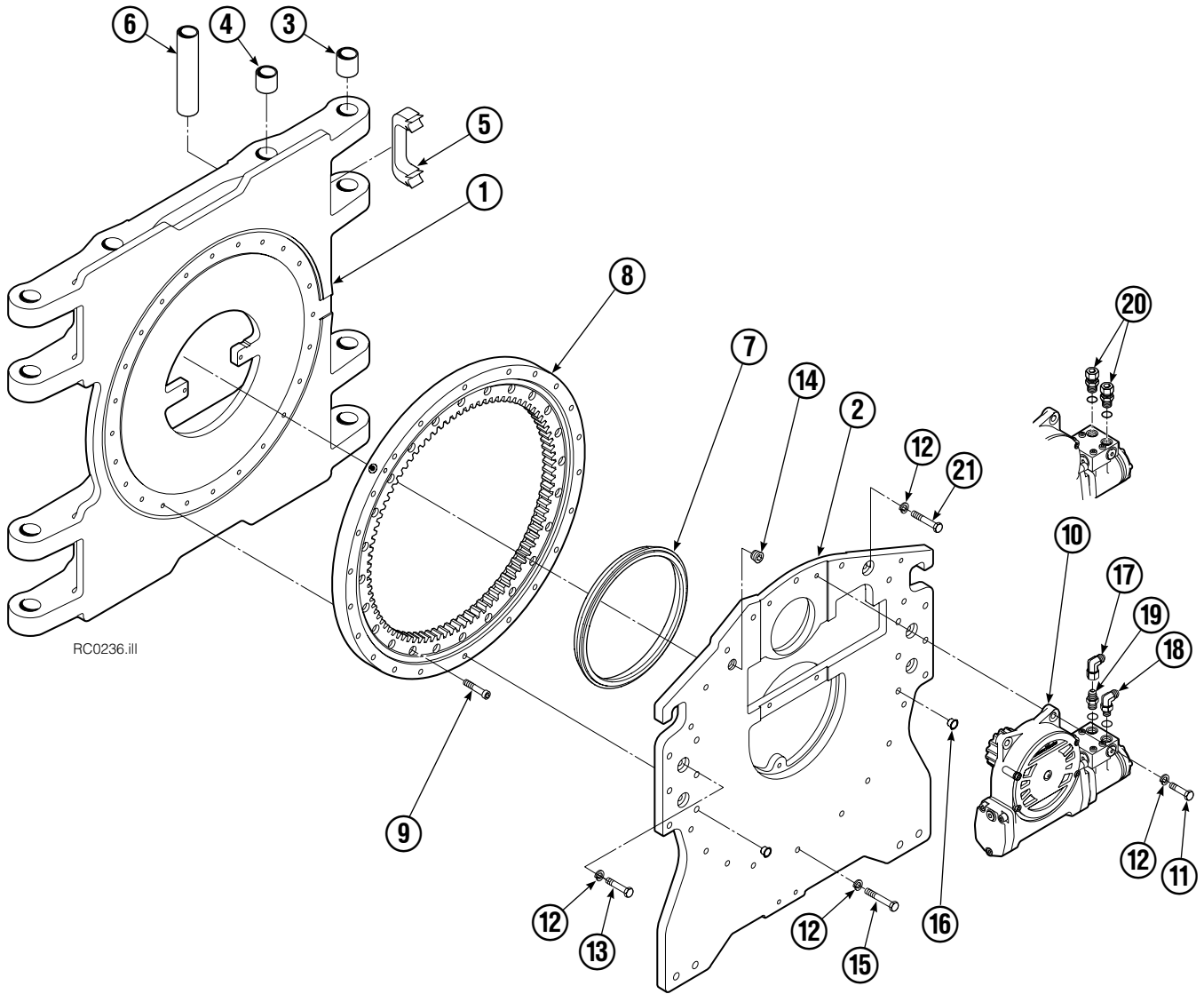
Publications



GA0006.eps

| 60G | |
|-----------------|---|
| PART NO. | DESCRIPTION |
| 216498 | Parts Manual |
| 213744 | Service Manual |
| 210135 | Operator's Guide |
| 212420 | Installation Instructions - Fixed Frame |
| 677555 | Driver Training Video - VHS |
| 679929 | Tool Catalog |
| 673964 | Literature Index Order Form |

Frame Group



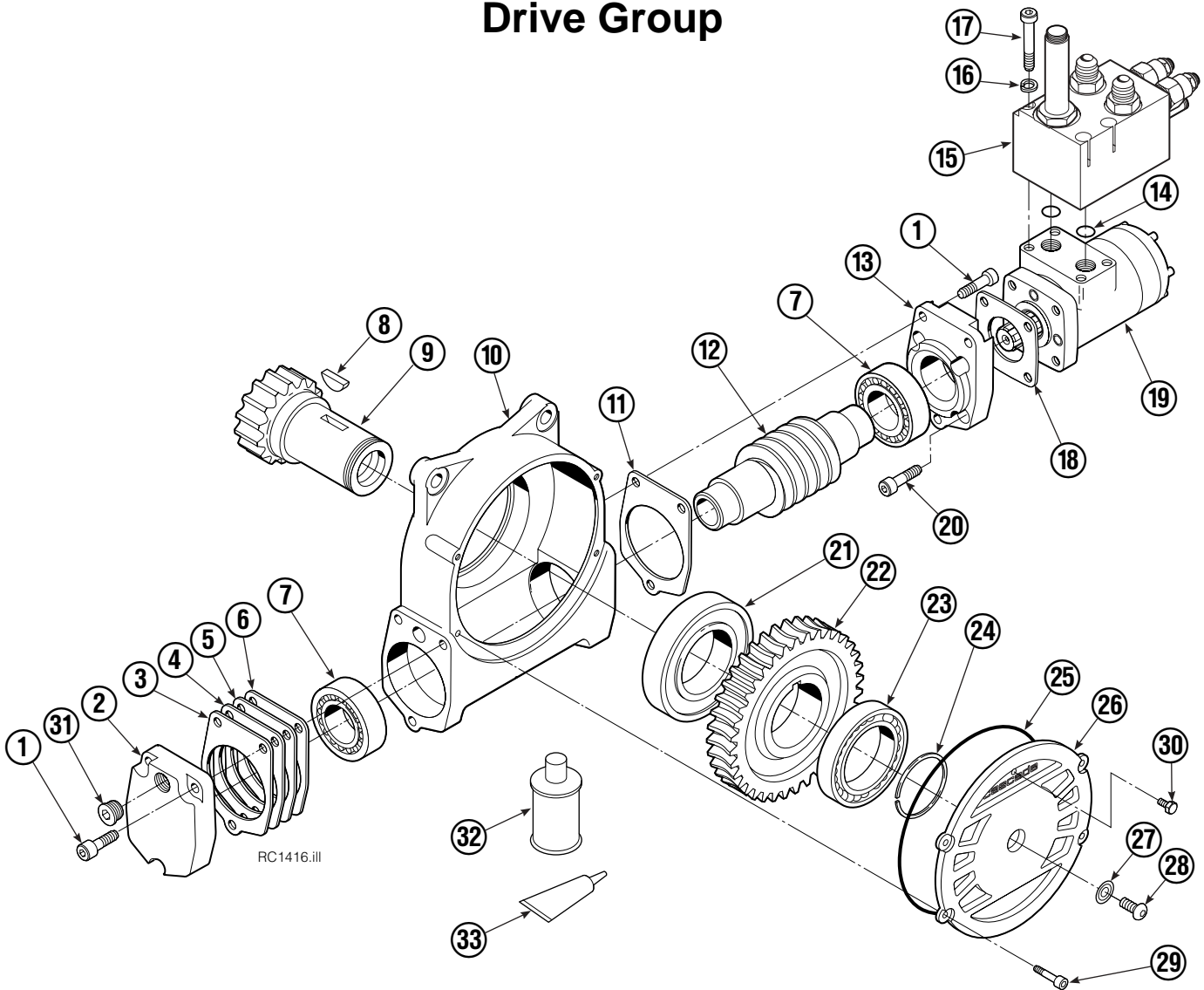
RC0236.ill

| 60G | | | | | | | |
|-----|-----|----------|---------------------------------|-----|-----|----------|-------------------------------|
| REF | QTY | PART NO. | DESCRIPTION | REF | QTY | PART NO. | DESCRIPTION |
| | | 6026162 | Frame Group w/o Stop – 60 in. ▲ | 11 | 4 | 211689 | Capscrew, M12 x 30 |
| 1 | 1 | 6026163 | Frame w/o Stop – 60 in. | 12 | 26 | 683822 | Lockwasher, M12 |
| 2 | 1 | 209940 | Baseplate w/o Stop | 13 | 4 | 206174 | Capscrew, M12 x 45 |
| 3 | 8 | 211718 | Bearing | 14 | 1 | 6605 | Fitting, 3/4 in. |
| 4 | 8 | 211717 | Bearing | 15 | 18 | 213633 | Capscrew, M12 x 55 |
| 5 | 4 | 211712 | Hose Guard | 16 | 2 | 631428 | Plug |
| 6 | 4 | 209987 | Spacer | 17 | 1 | 605761 | Fitting, 8-8 SAE |
| 7 | 1 | 209944 | Seal | 18 | 1 | 601250 | Fitting, 8-8 SAE |
| 8 | 1 | 213761 | Bearing Assembly | 19 | 1 | 601377 | Fitting, 8-8 SAE |
| 9 | 24 | 767596 | Capscrew, M12 x 40 | | 2 | 765492 | Fitting, 8 SAE – M10 L-Series |
| 10 | 1 | 6001026 | Drive Group – 2.2 c.i. Motor ● | 20 | 2 | 765493 | Fitting, 8 SAE – M12 L-Series |
| 10 | 1 | 795491 | Drive Group – 2.8 c.i. Motor ● | | 2 | 756920 | Fitting, 8 SAE – M12 S-Series |

▲ Maximum roll handling capacity.
 ● See Drive Group page for parts breakdown.
 Reference: S-4165, S-4506, S-4189, S-4159.

Baseplate & Rotator Group 6007998.
 Fitting Group 212367.
 Common Parts 213762.

Drive Group



| 66G | | | | | | | |
|-----|-----|----------|---------------------------------|-----|-----|----------|-------------------------------------|
| REF | QTY | PART NO. | DESCRIPTION | REF | QTY | PART NO. | DESCRIPTION |
| | | 6001026 | Drive Group with 2.2 c.i. Motor | 19 | 1 | 210139 | Drive Motor – 2.2 c.i. ▲ |
| 1 | 6 | 769570 | Capscrew, M12 x 25 | 20 | 4 | 4468 | Capscrew, 3/8 NC x .75 GR8 |
| 2 | 1 | 676855 | Cover | 21 | 1 | 670580 | Bearing |
| 3 | ● | 674513 | Shim – .005" (blue) | 22 | 1 | 675609 | Worm Gear |
| 4 | ● | 670574 | Shim – .010" (brown) | 23 | 1 | 670581 | Bearing |
| 5 | ● | 671757 | Shim – .015" (pink) | 24 | 1 | 7214 | Snap Ring |
| 6 | ● | 671758 | Shim – .020" (yellow) | 25 | 1 | 643423 | O-Ring |
| 7 | 2 | 670579 | Bearing | 26 | 1 | 775552 | Cover |
| 8 | 1 | 670582 | Key | 27 | 1 | 783609 | Seal |
| 9 | 1 | 670506 | Pinion | 28 | 1 | 783608 | Capscrew, M12 x 16 |
| 10 | 1 | 775551 | Housing | 29 | 4 | 200882 | Capscrew, M8 x 20 |
| 11 | 1 | 686465 | Gasket | 30 | 1 | 644010 | Relief Fitting |
| 12 | 1 | 675608 | Worm | 31 | 1 | 604510 | Fitting, 6 |
| 13 | 1 | 775553 | Adapter | 32 | 1 | 656300 | Gear Box Lube – 48 oz. |
| 14 | 2 | 2705 | O-Ring | 33 | 1 | 668184 | Sealant |
| 15 | 1 | 6001035 | Valve Assembly without Coils ◆ | | | 670578 | Shim Service Kit (items 3-6,25,33) |
| 16 | 4 | 6444 | Lockwasher | | | 675637 | Bearing Service Kit (items 21 & 33) |
| 17 | 4 | 607060 | Capscrew, 5/16 NC x 2.00 GR8 | | | 675638 | Bearing Service Kit (items 3-7,25) |
| 18 | 1 | 670575 | Gasket | | | 685227 | Motor Kit-4.5 (items 4,14,18) |

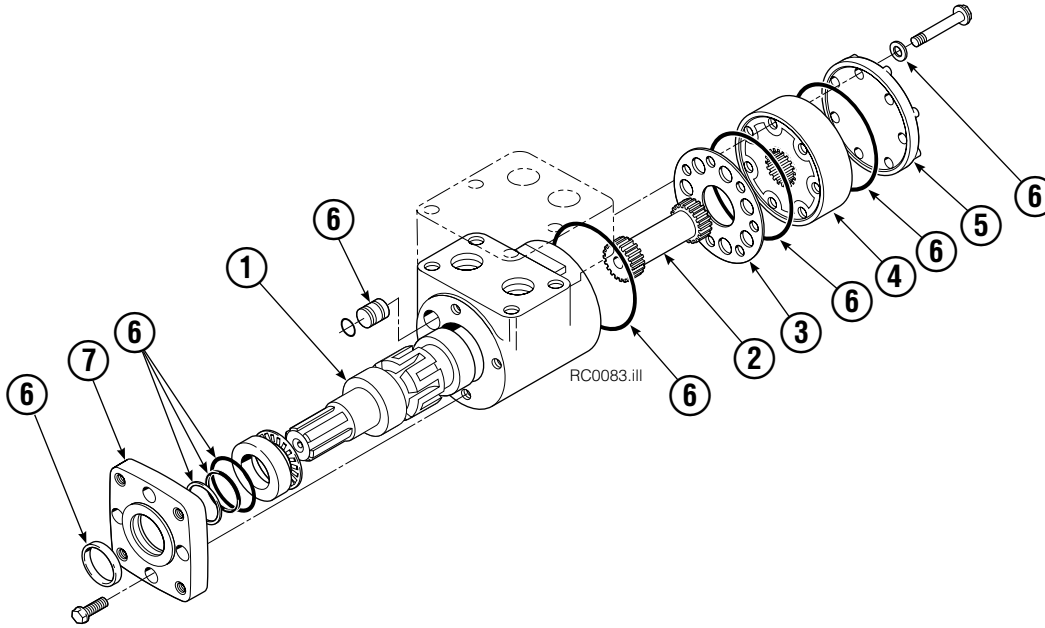
● Quantity as required.

◆ See Valve page for parts breakdown.

▲ See Drive Motor page for parts breakdown.

Reference: Common Parts 795490, SK-6864.

Drive Motor

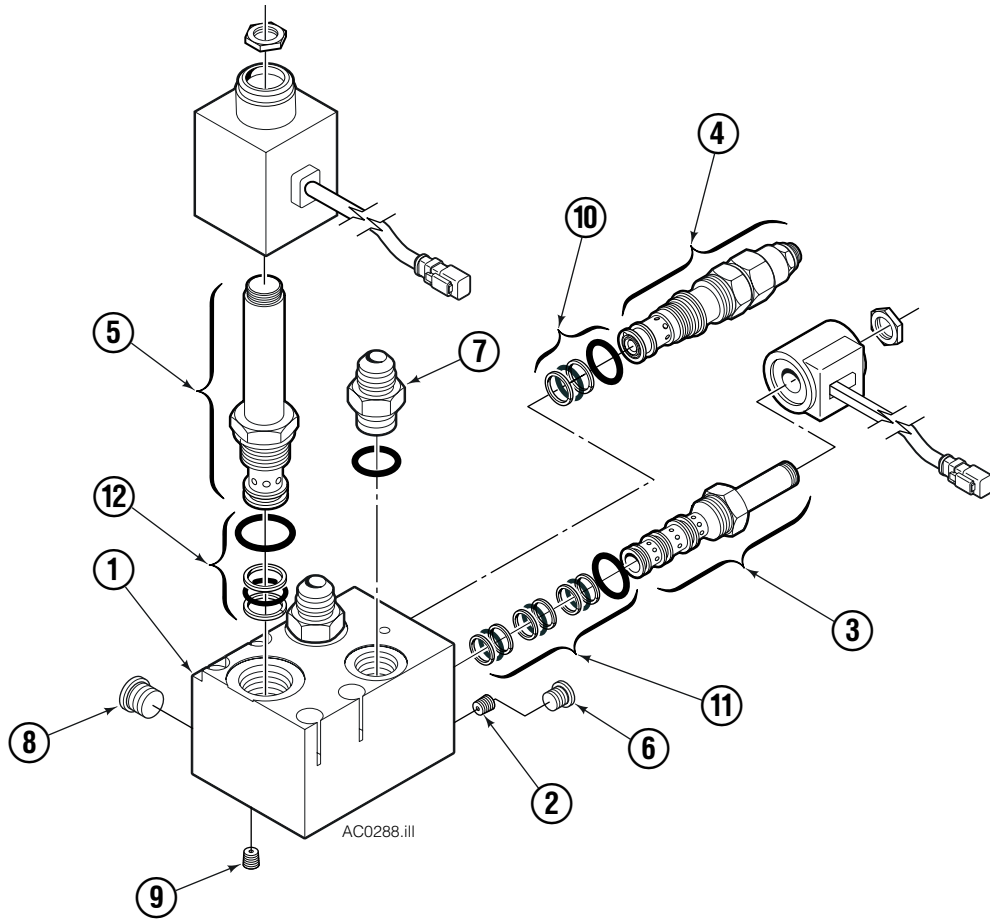


| REF | QTY | PART NO. | DESCRIPTION |
|-----|-----|----------|---------------|
| | | 210139 | Drive Motor |
| 1 | 1 | 675478 | Shaft |
| 2 | 1 | 675477 | Drive |
| 3 | 1 | 211528 | Spacer Plate |
| 4 | 1 | 210137 | Gerotor Set |
| 5 | 1 | 211527 | End Cap |
| 6 | 1 | 206405 | Service Kit ● |
| 7 | 1 | 685090 | Flange |

Cascade provides service replacement parts for the listed parts only. Due to cost, if others parts need replacement, the complete Drive Motor should be replaced.

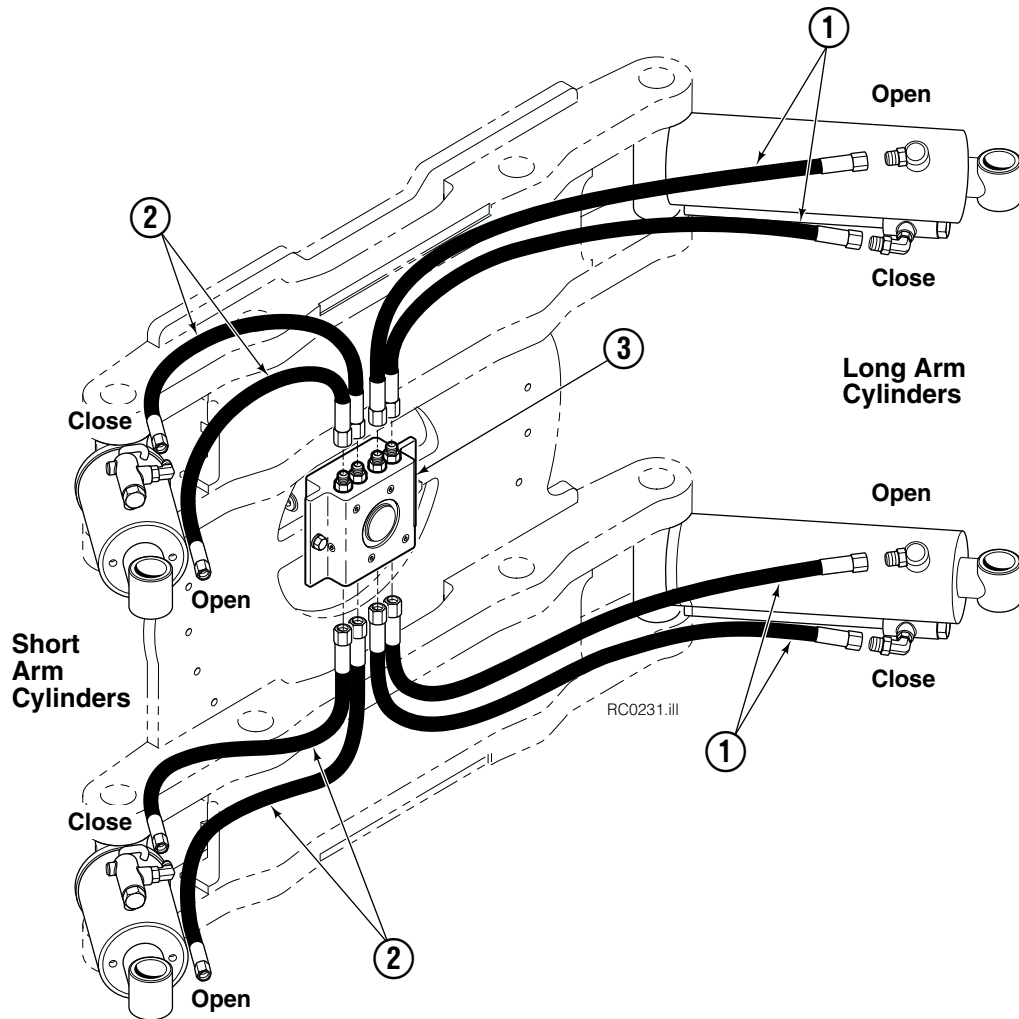
- Compatible with water glycol based hydraulic fluids.

Solenoid Valve



| REF | QTY | PART NO. | DESCRIPTION |
|-----|-----|----------|------------------------------|
| | | 6001035 | Valve Assembly without Coils |
| 1 | 1 | 220565 | Valve Body |
| 2 | 4 | 220641 | Orifice |
| 3 | 1 | 220627 | Solenoid Valve |
| 4 | 2 | 6003173 | Valve |
| 5 | 1 | 221722 | Solenoid Valve |
| 6 | 2 | 663694 | Fitting, 3 |
| 7 | 3 | 601377 | Fitting, 8 |
| 8 | 3 | 604510 | Fitting, 6 |
| 9 | 3 | 228698 | Orifice |
| 10 | 2 | 667516 | Service Kit |
| 11 | 1 | 221049 | Service Kit |
| 12 | 1 | 6031791 | Service Kit |

Hosing Group Positioned Short Arm



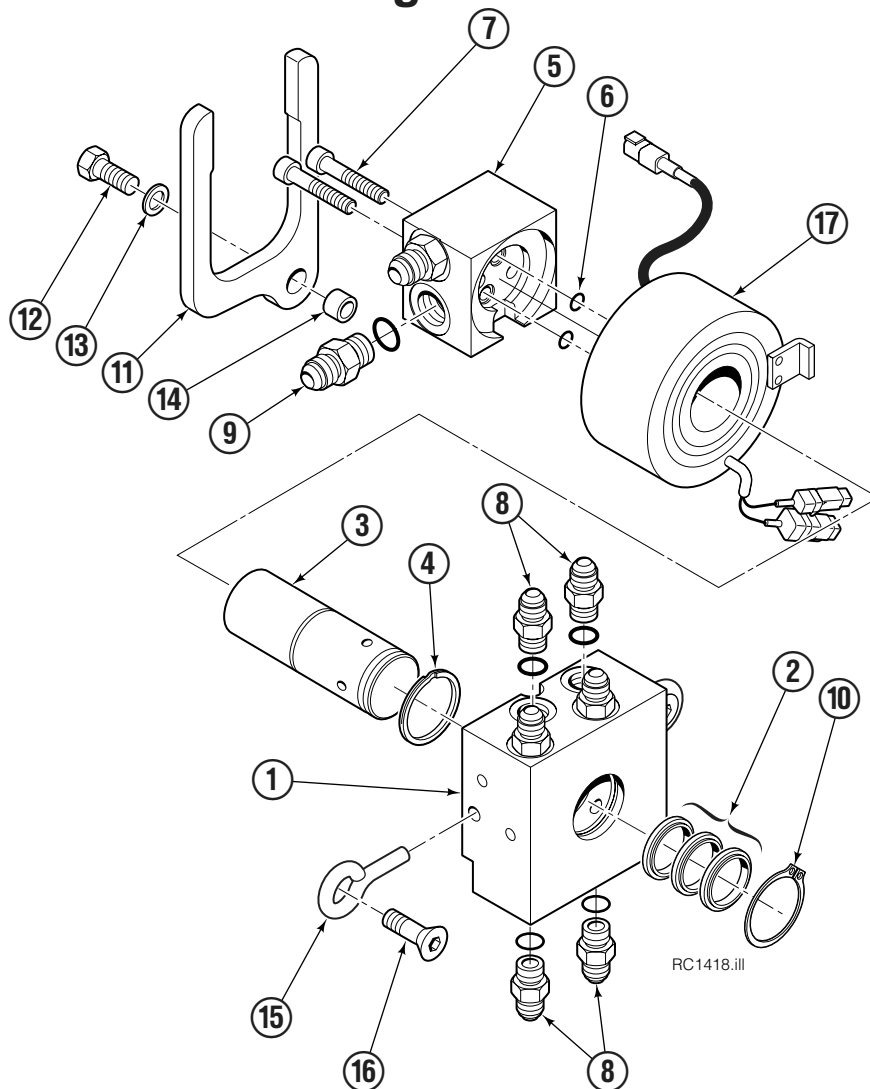
| 60G | | | |
|-----|-----|----------------------|----------------------|
| REF | QTY | 60 in. ■ PART NO. | DESCRIPTION |
| | | 210014 | Hose Group |
| 1 | 4 | 210022 | Hose |
| 2 | 4 | 210023 | Hose |
| 3 | 1 | ▲ | Revolving Connection |

■ Maximum roll handling capacity.

▲ See Revolving Connection page for part number.

Reference: S-4192, S-4193.

Revolving Connection

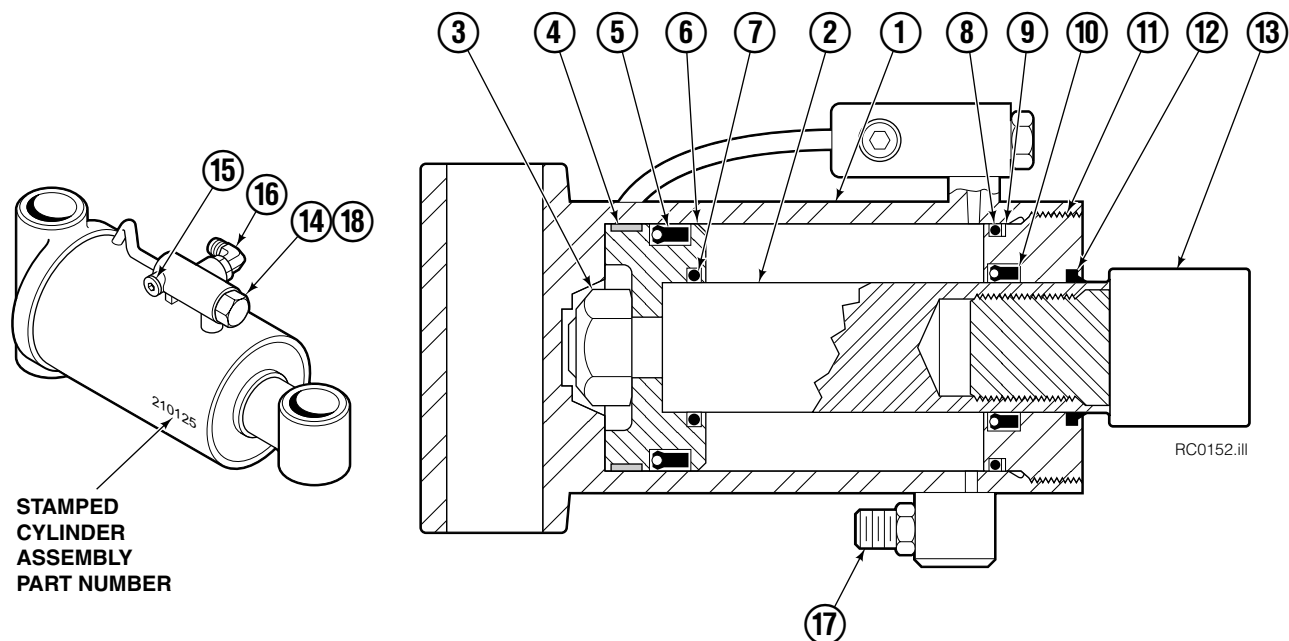


| 72G | | | |
|-----|-----|----------|----------------------------|
| REF | QTY | PART NO. | DESCRIPTION |
| | | 6025909 | Revolving Connection Group |
| | | 6023689 | Revolving Connection ● |
| 1 | 1 | 6023548 | Valve Body ● |
| 2 | 3 | 214649 | ◆ Seal ● |
| 3 | 1 | 6023523 | Shaft ● |
| 4 | 1 | 7341 | ◆ Retaining Ring ● |
| 5 | 1 | 6023542 | End Block ● |
| 6 | 2 | 684587 | ◆ O-Ring ● |
| 7 | 2 | 766123 | Capscrew, M8 x 50 ● |
| 8 | 8 | 604511 | Fitting, 6-6 ● |
| 9 | 2 | 601377 | Fitting, 8-8 ● |
| 10 | 1 | 3138 | ◆ Retaining Ring ● |
| 11 | 1 | 211909 | End Block Retainer |
| 12 | 1 | 215480 | Capscrew, M10 x 25 |
| 13 | 1 | 206322 | Washer, M10 |
| 14 | 1 | 212725 | Spacer |
| 15 | 2 | 227962 | Eye Pin |
| 16 | 2 | 768697 | Capscrew, M10 x 25 |
| 17 | 1 | 6005097 | Slip Ring ● |

◆ Included in Service Kit 6024395.

● Included in Revolving Connection Assembly 6026356.

Cylinders



| 60G | | | | |
|-----|-----|-----------|----------|-------------------|
| REF | QTY | Short Arm | Long Arm | DESCRIPTION |
| | | 60 in. ■ | 60 in. ■ | |
| | | PART NO. | PART NO. | |
| | | 6026168 | 6025510 | Cylinder Assembly |
| 1 | 1 | 4195-165 | 4195-305 | Shell |
| 2 | 1 | 4130-159 | 4130-320 | Rod |

■ Maximum roll handling capacity.

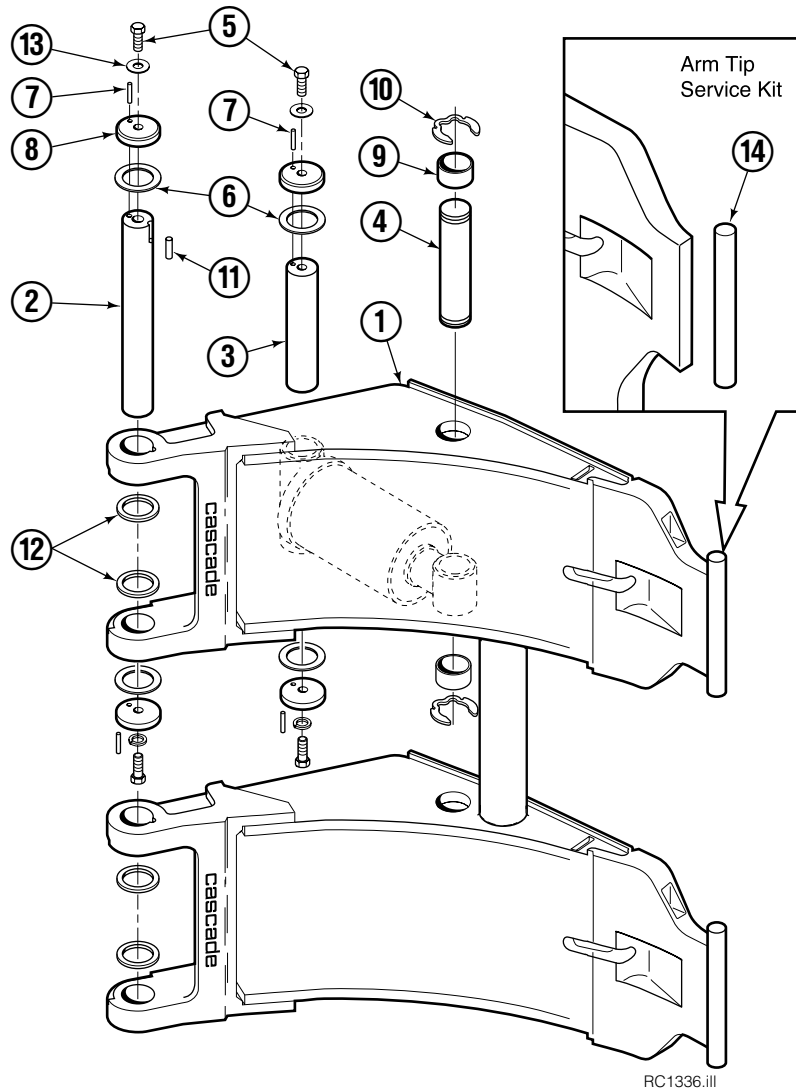
Common Parts

| REF | QTY | PART NO. | DESCRIPTION | REF | QTY | PART NO. | DESCRIPTION |
|-----|-----|----------|----------------|-----|-----|----------|-------------------------|
| 3 | 1 | 560997 | Nut | 12 | 1 | 564443 | Wiper ▲ |
| 4 | 1 | 211295 | Wear Ring ▲ | 13 | 1 | 209764 | Rod Eye |
| 5 | 1 | 564902 | Seal ▲ | 14 | 1 | 659058 | Check Valve |
| 6 | 1 | 211292 | Piston | 15 | 1 | 609234 | Fitting, 4 |
| 7 | 1 | 210087 | O-Ring ▲ | 16 | 1 | 601676 | Fitting, 6-6 |
| 8 | 1 | 564445 | O-Ring ▲ | 17 | 1 | 604511 | Fitting, 6-6 |
| 9 | 1 | 564446 | Back-Up Ring ▲ | 18 | 1 | 667516 | Check Valve Service Kit |
| 10 | 1 | 564442 | Seal ▲ | | | 210133 | Cylinder Service Kit |
| 11 | 1 | 209763 | Retainer | | | | |

▲ Included In Service Kit 210133.

Reference: S-4454, S-4460.

Short Arm



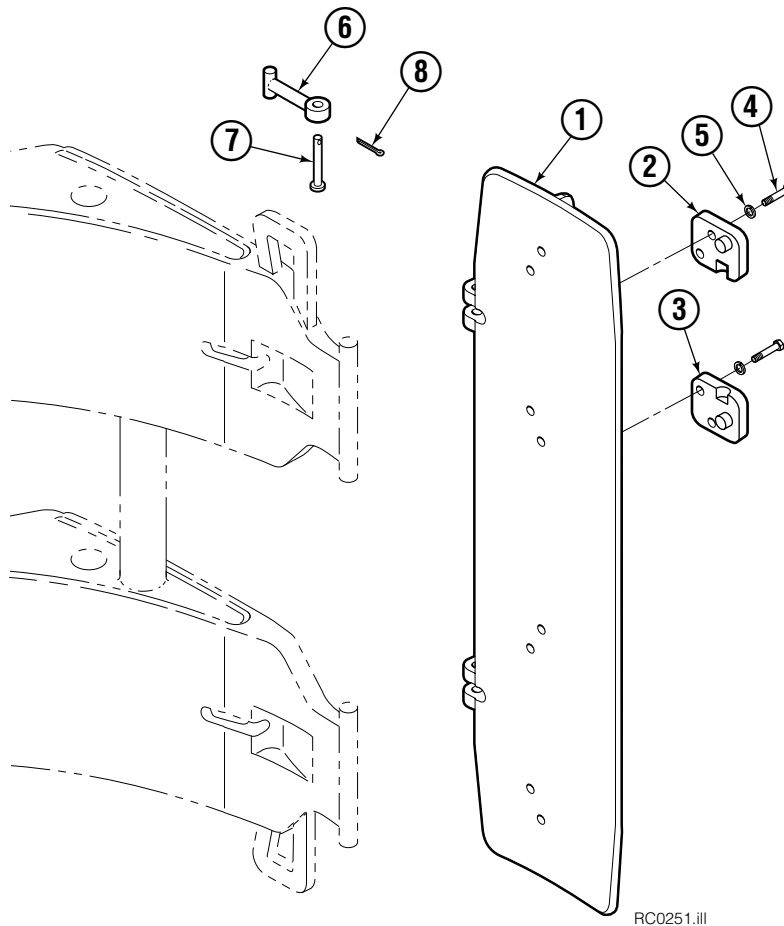
RC1336.iii

| 60G | | | |
|-----|-----|----------|-----------------|
| REF | QTY | 60 in. ■ | DESCRIPTION |
| | | PART NO. | |
| | | 6026152 | Short Arm Group |
| 1 | 1 | 6026153 | Short Arm |

■ Maximum roll handling capacity.

| REF | QTY | PART NO. | DESCRIPTION | REF | QTY | PART NO. | DESCRIPTION |
|-----|-----|----------|------------------------|-----|-----|----------|---------------------|
| 2 | 2 | 6017336 | Arm Pivot Pin | 9 | 4 | 210080 | Bearing |
| 3 | 2 | 6023679 | Cylinder Pivot Pin | 10 | 4 | 209986 | Retaining Ring |
| 4 | 2 | 4175-150 | Cylinder Rod Pivot Pin | 11 | 2 | 212382 | Dowel Pin, 8x16 mm |
| 5 | 8 | 3007512 | Cap screw, M12 x 25 | 12 | 16 | 209941 | Shim - .062 in. |
| 6 | 8 | 213029 | Shim | 13 | 8 | 209019 | Washer, M12 |
| 7 | 8 | 209776 | Dowel Pin | 14 | 1 | 212902 | Arm Tip Service Kit |
| 8 | 8 | 6017339 | Cap | | | | |

Pad Group — Short Arm



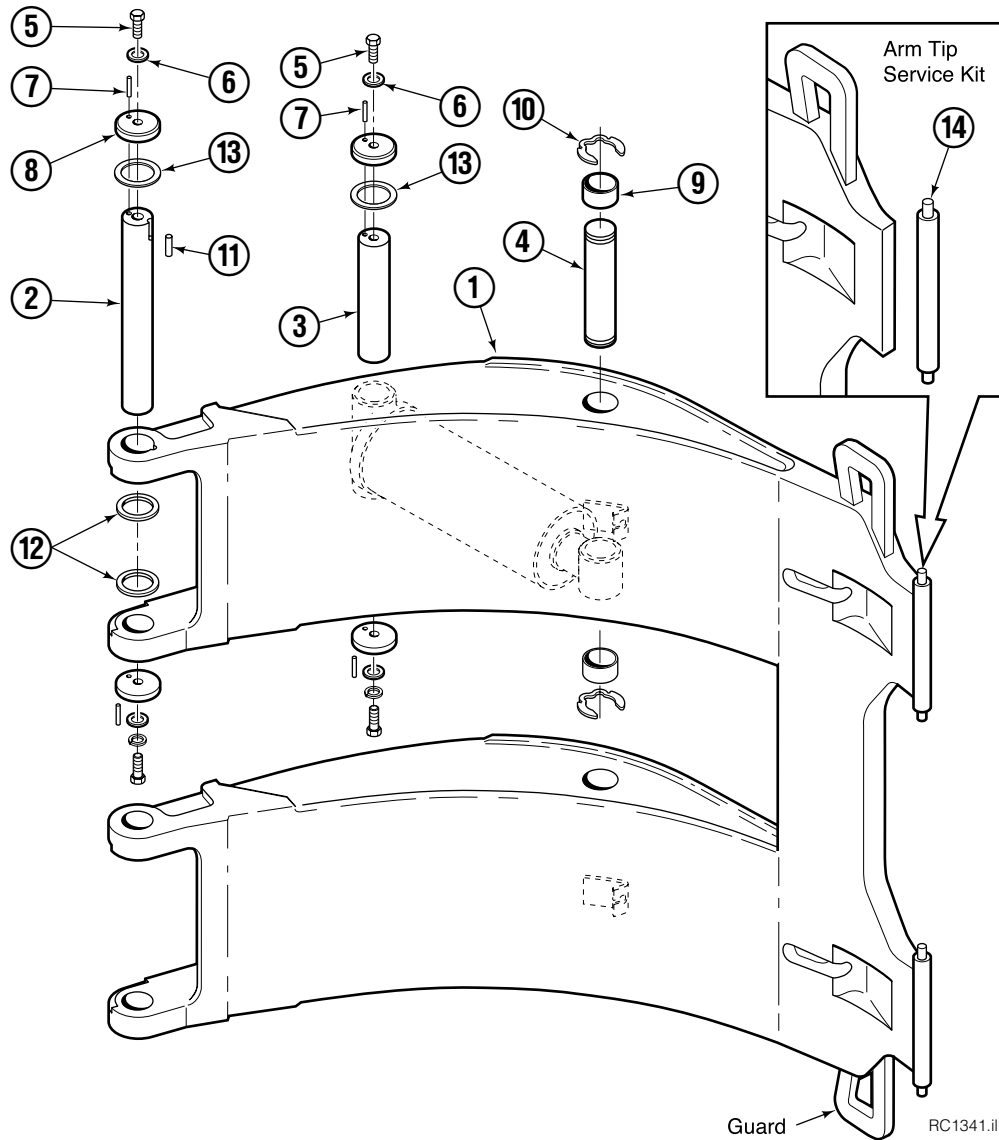
RC0251.ill

| REF | QTY | PART NO. | DESCRIPTION |
|-----|-----|----------|------------------|
| | | 6027115 | Pad Group |
| 1 | 1 | 6026404 | Contact Pad |
| 2 | 2 | 209904 | Retainer, RH ▲ |
| 3 | 2 | 209905 | Retainer, LH ▲ |
| 4 | 8 | 767810 | Capscrew, M12x25 |
| 5 | 8 | 681473 | Lockwasher, M12 |
| 6 | 2 | 209909 | Link |
| 7 | 2 | 674265 | Clevis Pin |
| 8 | 2 | 6525 | Cotter Pin |

▲ Driver's view, clamp in horizontal position, Short Arm up.

Reference: Common Parts 212935, S-4176, S-4177.

Long Arm



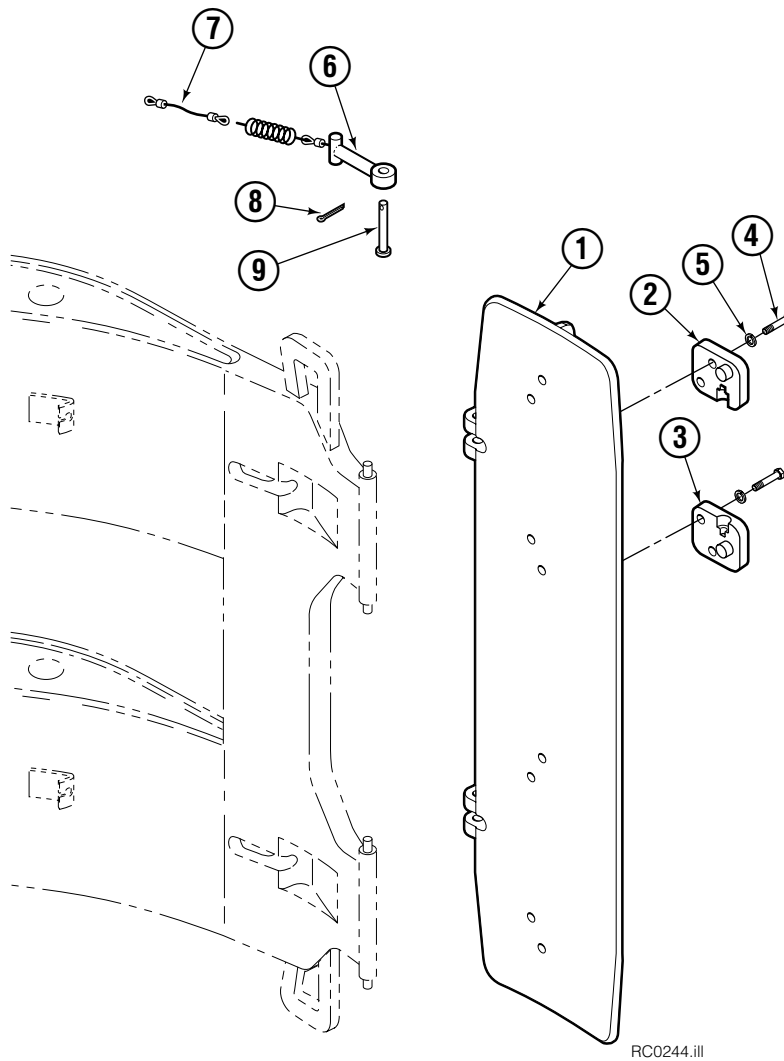
| 60G | | | |
|-----|-----|----------------------|---------------------|
| REF | QTY | 60 in. ■ PART NO. | DESCRIPTION |
| | | 6026157 | Arm Group w/o Guard |
| 1 | 1 | 6026158 | Long Arm w/o Guard |

■ Maximum roll handling capacity.

| REF | QTY | PART NO. | DESCRIPTION | REF | QTY | PART NO. | DESCRIPTION |
|-----|-----|----------|------------------------|-----|-----|----------|---------------------|
| 2 | 2 | 6017336 | Arm Pivot Pin | 9 | 4 | 210080 | Bearing |
| 3 | 2 | ▼ | Cylinder Pivot Pin | 10 | 4 | 209986 | Retaining Ring |
| 4 | 2 | ▼ | Cylinder Rod Pivot Pin | 11 | 2 | 212382 | Dowel Pin, 8x16 mm |
| 5 | 8 | 3007512 | Capscrew, M12 x 25 | 12 | 16 | 209941 | Shim – .062 in. |
| 6 | 8 | 209019 | Washer, M12 | 13 | 8 | 213029 | Shim |
| 7 | 8 | 209776 | Roll Pin | 14 | 1 | 212902 | Arm Tip Service Kit |
| 8 | 8 | 6017339 | Cap | | | | |

▼ See Adjustable Bumper Group, 6026171.

Pad Group – Long Arm



RC0244.ill

| 60G | | | |
|-----|-----|----------|--------------------|
| REF | QTY | 60 in. ■ | DESCRIPTION |
| | | PART NO. | |
| | | 6026191 | Standard Pad Group |
| 1 | 1 | 6026404 | Pad, Standard |

■ Maximum roll handling capacity.

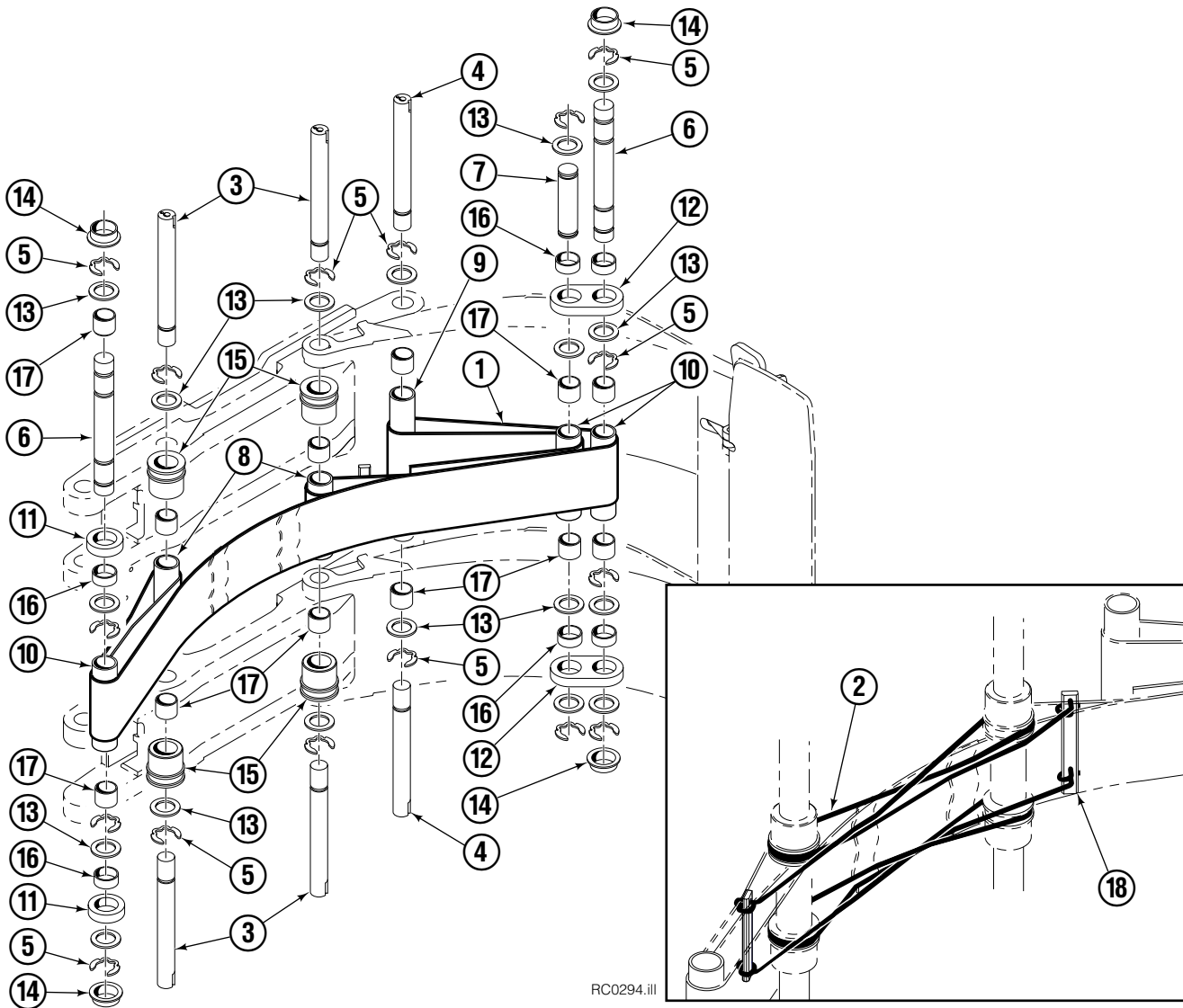
Common Parts

| REF | QTY | PART NO. | DESCRIPTION | REF | QTY | PART NO. | DESCRIPTION |
|-----|-----|----------|-------------------------------|-----|-----|----------|-------------|
| | | 212934 | Common Parts Group – Long Arm | 6 | 2 | 209916 | Link |
| 2 | 2 | 211997 | Retainer – RH ▲ | 7 | 2 | 4182-165 | Cable |
| 3 | 2 | 211998 | Retainer – LH ▲ | 8 | 2 | 674265 | Clevis Pin |
| 4 | 8 | 763021 | Capscrew, M12 x 30 | 9 | 2 | 6525 | Cotter Pin |
| 5 | 8 | 681473 | Lockwasher, M12 | | | | |

▲ Driver's view, clamp in horizontal position, Short Arm up.

Reference: S-4176, S-4177.

Adjustable Bumper Group

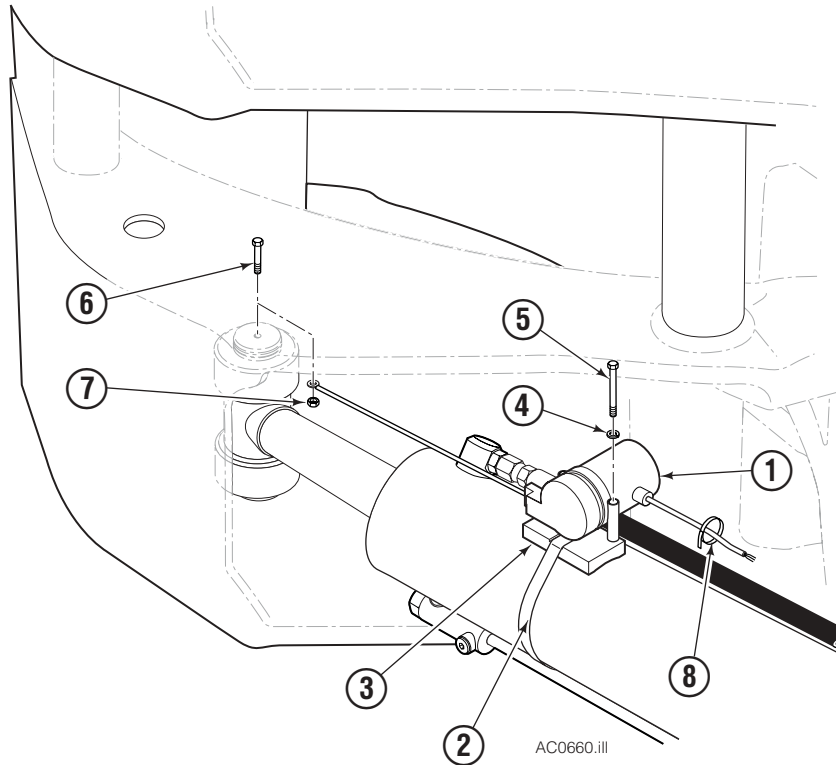


RC0294.iii

| 60G | | | | | | | |
|-----|-----|----------|-------------------------|-----|-----|----------|-----------------|
| REF | QTY | PART NO. | DESCRIPTION | REF | QTY | PART NO. | DESCRIPTION |
| | | 6026171 | Adjustable Bumper Group | 10 | 3 | 4600-156 | Roller – Guide |
| 1 | 1 | 6026172 | Belt | 11 | 2 | 213027 | Guide |
| 2 | 2 | 213040 | Elastic Band | 12 | 2 | 213028 | Guide – Link |
| 3 | 4 | 6028310 | Pin – Arm Pivot | 13 | 20 | 213029 | Shim |
| 4 | 2 | 6028311 | Pin – Head End | 14 | 4 | 213030 | Retainer – Pin |
| 5 | 16 | 209986 | Retaining Ring | 15 | 4 | 213042 | Band Pulley |
| 6 | 2 | 213026 | Pin – Rod End | 16 | 4 | 213045 | Bearing |
| 7 | 1 | 4175-216 | Pin – Guide | 17 | 12 | 211717 | Bearing |
| 8 | 2 | 4600-266 | Roller – Arm Pivot | 18 | 2 | 213942 | Retainer – Band |
| 9 | 1 | 4600-352 | Roller – Head End | 19 | 12 | 209941 | Shim |

Reference: S-4597.

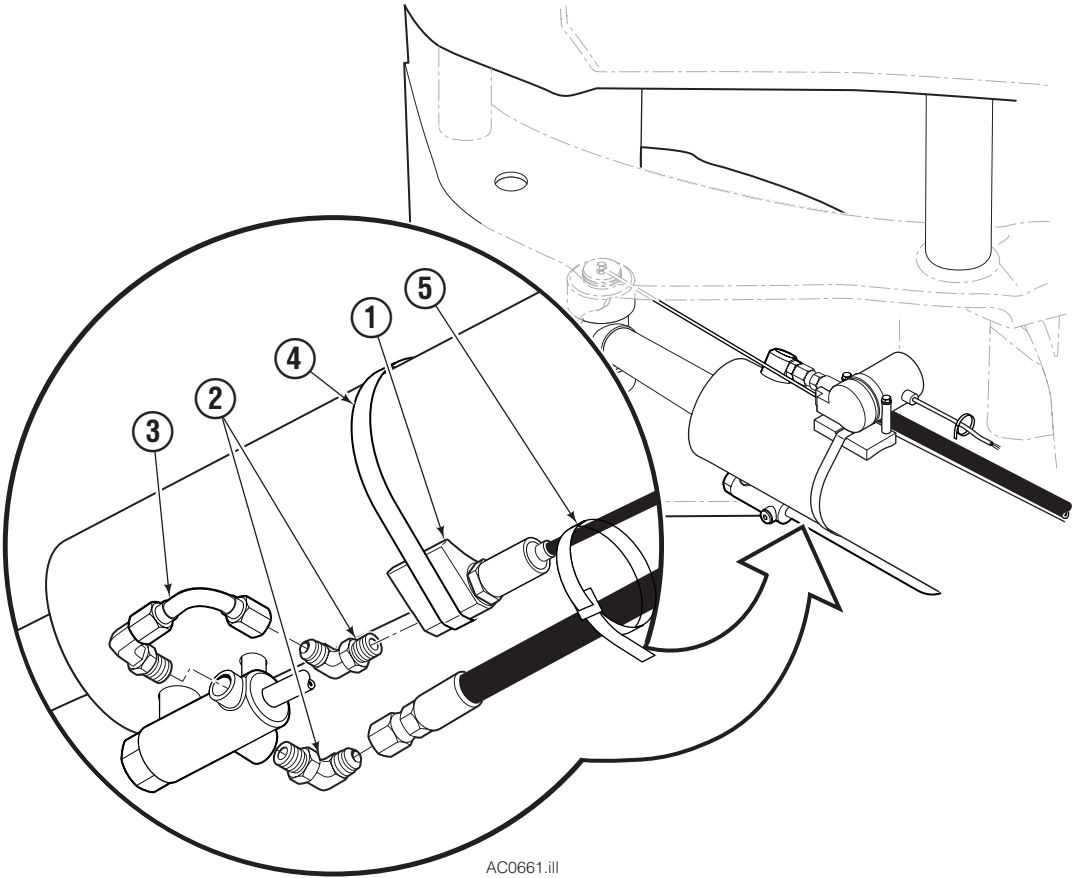
Linear Transducer Group



| REF | QTY | PART NO. | DESCRIPTION |
|-----|-----|----------|-------------------|
| | | 6027632 | Transducer Group |
| 1 | 1 | 6017089 | Transducer |
| 2 | 1 | 6027213 | Hose Clamp |
| ●3 | 1 | 6027606 | Plate |
| ●4 | 1 | 686454 | Lockwasher, M4 |
| ●5 | 2 | 768505 | Capscrew, M4 x 45 |
| ●6 | 1 | 6017379 | Capscrew, M5 x 25 |
| ●7 | 1 | 768202 | Nut, M5 |
| 8 | 4 | 6009439 | Cable Tie |

● Included in Transducer Assembly 6027264

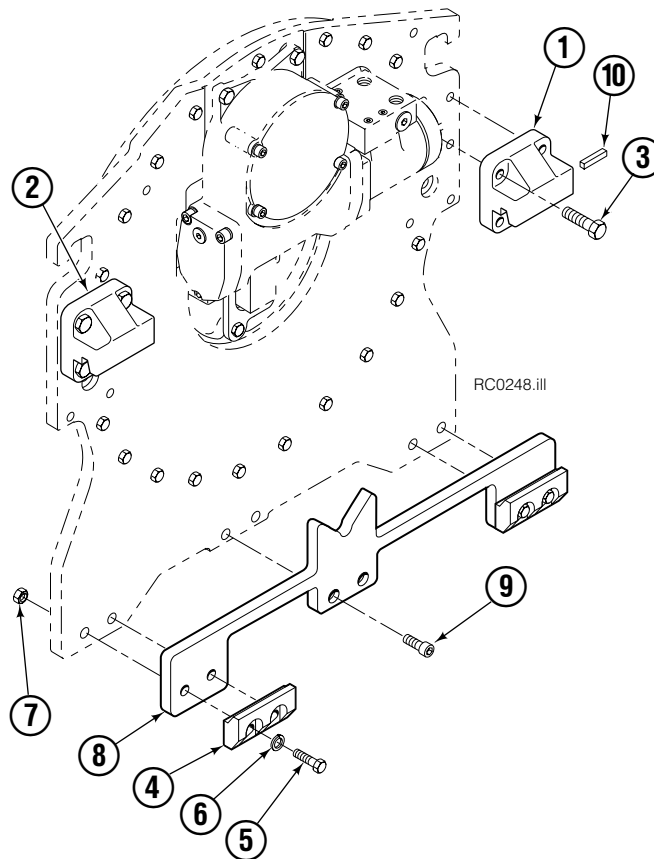
Transmitter Group



| REF | QTY | PART NO. | DESCRIPTION |
|-----|-----|----------|-------------------|
| | | 6014012 | Transmitter Group |
| 1 | 1 | 6014159 | Transmitter Block |
| 2 | 2 | 617917 | Fitting |
| 3 | 1 | 6026774 | Tube |
| 4 | 1 | 6027213 | Hose Clamp |
| 5 | 4 | 6009439 | Cable Tie |

Reference: SK-7250

Mounting Group



Class III, 0°

| REF | QTY | PART NO. | DESCRIPTION |
|-----|-----|----------|--------------------|
| | | 209927 | Mounting Group |
| 1 | 1 | 209932 | Upper Hook – RH |
| 2 | 1 | 209933 | Upper Hook – LH |
| 3 | 8 | 779010 | Capscrew, M16 x 35 |
| 4 | 2 | 675969 | Lower Hook |
| 5 | 4 | 210005 | Capscrew, M16 x 90 |
| 6 | 4 | 667225 | Washer, .625 |
| 7 | 4 | 781534 | Nut, M16 |
| 8 | 1 | 209937 | Spacer |
| 9 | 2 | 788377 | Capscrew, M12 x 45 |
| 10 | 1 | 669344 | Stop Kit |

Do you have questions you need answered right now? Call your nearest Cascade Parts Department.

Cascade Corporation

2501 Sheridan Avenue
Springfield, OH 45505
Tel: 888-CASCADE (227-2233)
FAX: 888-329-0234
www.cascorp.com

Cascade Canada Inc.

5570 Timberlea Blvd.
Mississauga, Ontario
Canada L4W-4M6
Tel: 905-629-7777
FAX: 905-629-7785

Cascade GmbH

D-41199 Monchengladbach
Klosterhofweg 52
Germany
Tel: 49-216-668230
FAX: 49-216-6682323

Cascade Finland

Albert Petreliuksenkatu 3
01370 Vantaa
Finland
Tel: 358-9-836-1925
FAX: 358-9-836-1935

**Cascade N.V.
European Headquarters**

P.O. Box 3009
1300 El Almere
Damluisweg 56
1332 ED Almere
The Netherlands
Tel: 31-36-5492911
FAX: 31-36-5492964

**Cascade N.V.
Benelux Sales and Service**

P.O. Box 3009
1300 El Almere
Damluisweg 56
1332 ED Almere
The Netherlands
Tel: 31-36-5492950
FAX: 31-36-5492974

Cascade (UK) Ltd.

15, Orgreave Crescent
Dore House Industrial Estate
Handsworth
Sheffield S13 9NQ
England
Tel: 742-697524
FAX: 742-695121

Cascade Scandinavia AB

Box 124
Hammarvägen 10
567 23 Vaggeryd
Sweden
Tel: 42-0-393-36950
FAX: 46-0-393-36959

Cascade Norway

Østerliveien 37A
1153 Oslo
Norway
Tel: 47-22-743160
FAX: 47-22-743157

Cascade France S.A.R.L.

1D Rue De Charaintru
BP 18, 91360 Epinay-Sur-Orge
Morangis Cedex, France
Tel: 33-1- 64547500
FAX: 33-1-64547501

Cascade Hispania S.A.

Carrer 5 Sector C
Zona Franca Duanera
Poligono de la Zon Franca
08040 Barcelona, Spain
Office No. 256
Tel: 93-264-07-30
FAX: 93-264-07-31

Cascade Japan Ltd.

5-5-41,
Torikai Kami
Settsu, Osaka
Japan, 566
Tel: 81-726-53-3490
FAX: 81-726-53-3497

Cascade Korea

108B, Namdong Ind Complex
658-3 Gojan-Dong
Namdong-Gu
Inchon, 405-310 Korea
Tel: 82-32-821-2051
FAX: 82-32-821-2055

Cascade Australia

1445 Ipswich Road
Rocklea, QLD 4106
Australia
Tel: 1-800227-223
FAX: (07) 3373-7333

Cascade New Zealand

15 Ra Ora Drive
East Tamaki, Auckland
New Zealand
Tel: 9-273-9136
FAX: 9-273-9137

Cascade (Africa) Pty. Ltd.

P.O. Box 625, Isando 1600
60A Steel Road
Sparton, Kempton Park
South Africa
Tel: 27-11-975-9240
FAX: 27-11-394-1147

Cascade-Xiamen

No. 668 Yangguang Rd.
Xinyang Industrial Zone
Haicang, Xiamen City
Fujian Province
P.R. China 361026
Tel: 86-592-651-2500
FAX: 86-592-651-2571

**Cascade (Singapore)
Trading Co.**

Four Seasons Park
Autumn Block - Apt. 1802
12 Cuscaden Walk
Singapore
Tel: 65-834-1935
FAX: 65-834-1936

