



# Parts Manual

---

Model 150D Rotator

Catalog Number 150D-RRB-24C R0

---

**cascade**®  
**corporation**

**For Technical Assistance call:** 800-227-2233, Fax: 888-329-8207

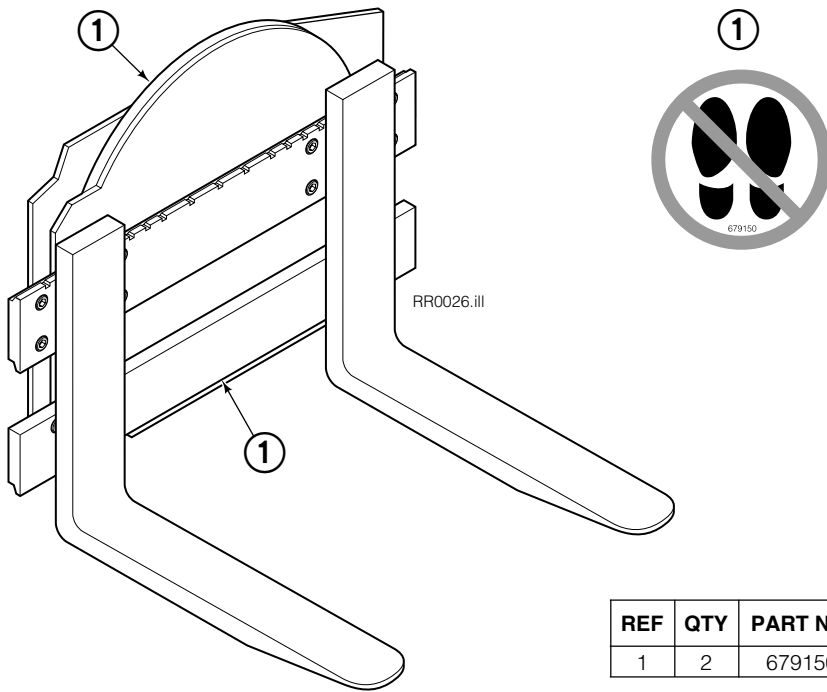
**To Order Parts call:** 888-227-2233, Fax: 888-329-0234

**OR**

**Write:** Cascade Corporation, P.O. Box 20187, Portland, OR 97220

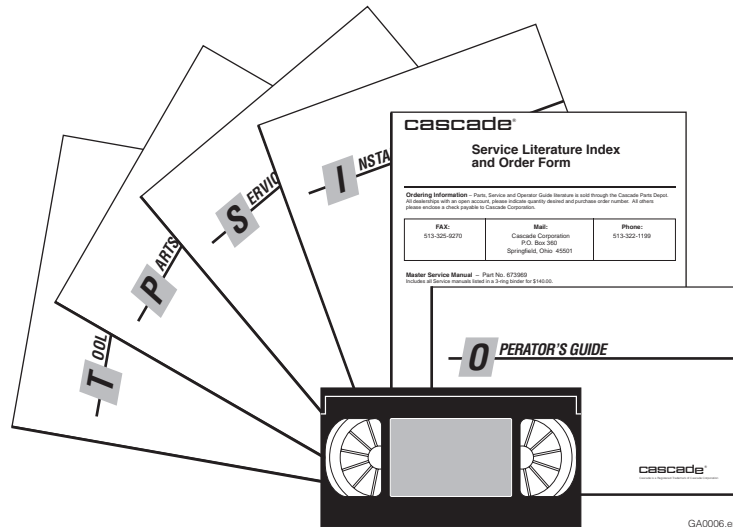
**Internet:** [www.cascorp.com](http://www.cascorp.com)

# Safety Decals



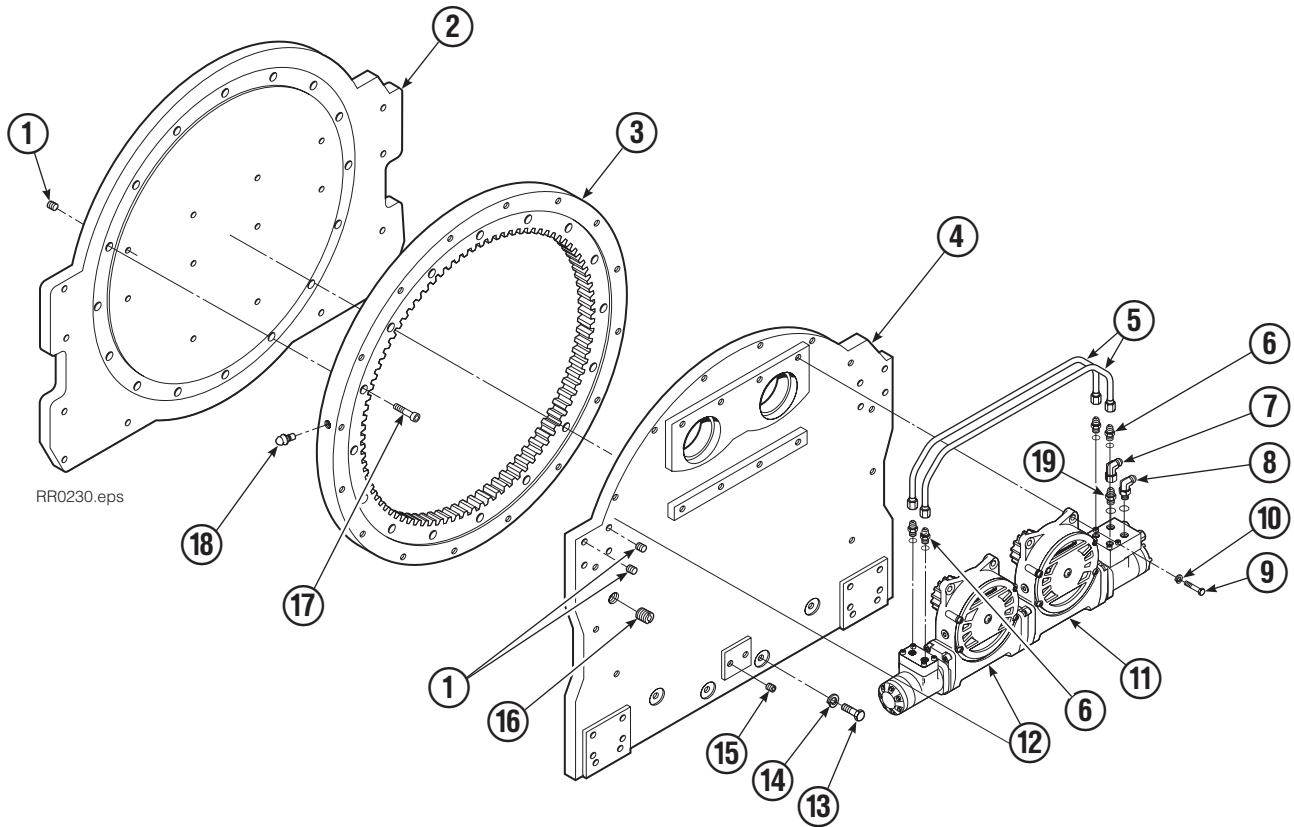
REF	QTY	PART NO.	DESCRIPTION
1	2	679150	No Step Decal

# Publications



PART NO.	DESCRIPTION
	Parts Manual
672946	Service Manual
672714	Operators Guide
672327	Installation Instructions
679929	Tool Catalog
673964	Literature Index Order Form

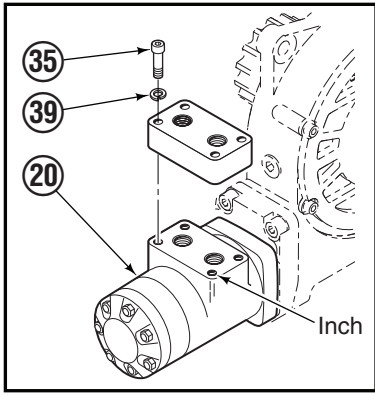
# Base Unit Group



150D			
REF	QTY	PART NO.	DESCRIPTION
		684607	Base Unit Group
1	18	631428	Plug
2	1	670773	Faceplate
3	1	670782	Bearing Assembly
4	1	684611	Baseplate
5	2	670786	Tube Assembly
6	4	662187	Fitting, 8-6
7	1	605761	Fitting, 8-8
8	1	601250	Fitting, 8-8
9	8	661742	Capscrew, 1/2 x 1.25
10	8	6290	Lockwasher
11	1	222378	Drive Group – RH ♦
12	1	222379	Drive Group – LH ♦
13	16	643574	Capscrew, 3/4 x 2.25
14	16	6294	Lockwasher
15	2	631427	Plug
16	1	6612	Plug
17	16	607105	Capscrew, 3/4 x 2.00
18	1	7401	Grease Fitting
19	1	601377	Fitting, 8-8
		672483	Bearing Service Kit

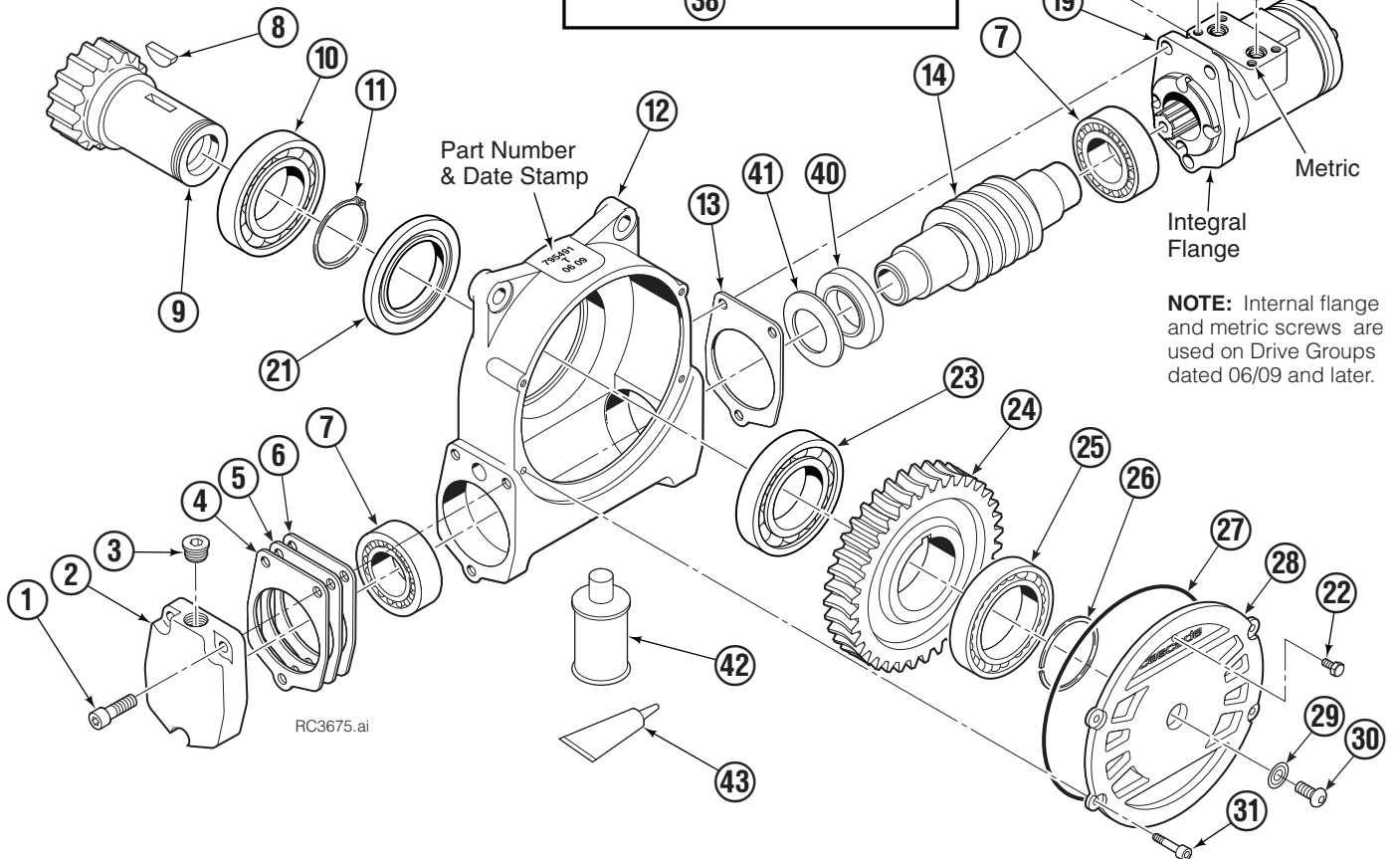
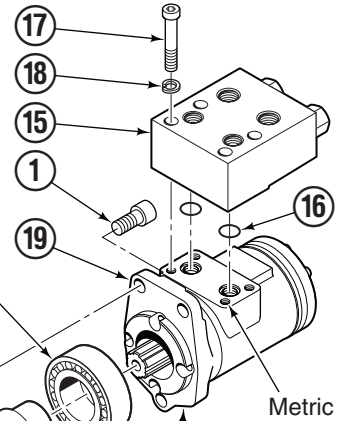
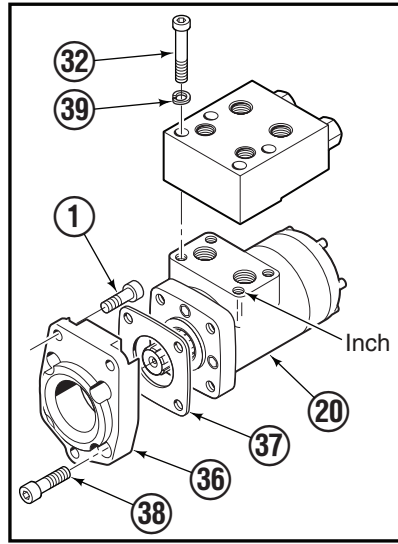
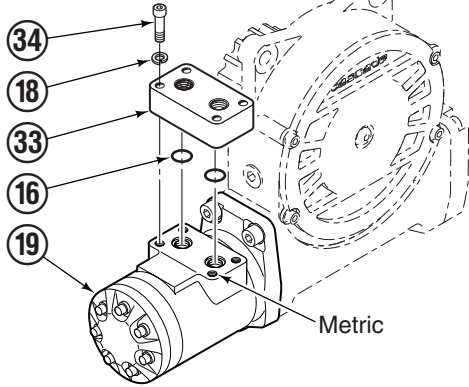
♦ See Drive Group page for parts breakdown.  
Reference: Common Parts Group 670781, SK-5382.

# Drive Group



**NOTE:** The Right Hand and Left Hand Drive Groups use common components except items 15, 17, 32, 33, 34 & 35.

## LEFT HAND DRIVE GROUP



**NOTE:** Internal flange and metric screws are used on Drive Groups dated 06/09 and later.

# Drive Group

REF	QTY	PART NO.	DESCRIPTION	REF	QTY	PART NO.	DESCRIPTION
		222378	Drive Group – RH	23	1	6033892	Bearing ★
		222379	Drive Group – LH	24	1	676448	Worm Gear
1	6	769570	Capscrew, M12 x 25	25	1	670581	Bearing
2	1	211774	Cover	26	1	7214	Retaining Ring
3	1	604510	Plug	27	1	643423	O-Ring
4	●	670574	Shim – .010" (brown)	28	1	775552	Cover
5	●	671757	Shim – .015" (pink)	29	1	783609	Seal
6	●	671758	Shim – .020" (yellow)	30	1	783608	Capscrew, M10 x 16
7	2	670579	Bearing	31	4	200882	Capscrew, M8 x 20
8	1	670582	Key	32	4	607060	Capscrew, 5/16 x 2.00 – RH
9	1	670559	Pinion	33	1	670563	Manifold – LH
10	1	670560	Bearing	34	4	787375	Capscrew, M8 x 20 – LH
11	1	3160	Retaining Ring	35	4	607054	Capscrew, 5/16 x .75 – LH
12	1	211773	Housing	36	1	775553	Adapter
13	1	686465	Gasket	37	1	670575	Gasket
14	1	676447	Worm	38	4	4468	Capscrew, 3/8 x .75
15	1	670561	Check Valve – RH ■	39	4	6444	Lockwasher, 5/16
16	2	2705	O-Ring	40	1	672448	Washer ▼
17	4	766123	Capscrew, M8 x 50 – RH	41	1	672449	Washer Spring ▼
18	4	787384	Lockwasher, M8	42	1	656300	Gear Box Lube, 48 oz.
19	1	6097945	Drive Motor – 2.8 c.i. ◆	43	1	668184	Sealant
20	1	206392	Drive Motor – 2.8 c.i. ◆			670578	Shim Service Kit
21	1	6804963	Oil Seal ▲			675637	Bearing Service Kit
22	1	644010	Relief Fitting			675638	Bearing Service Kit

● Quantity as required.

■ See Check Valve page for parts breakdown.

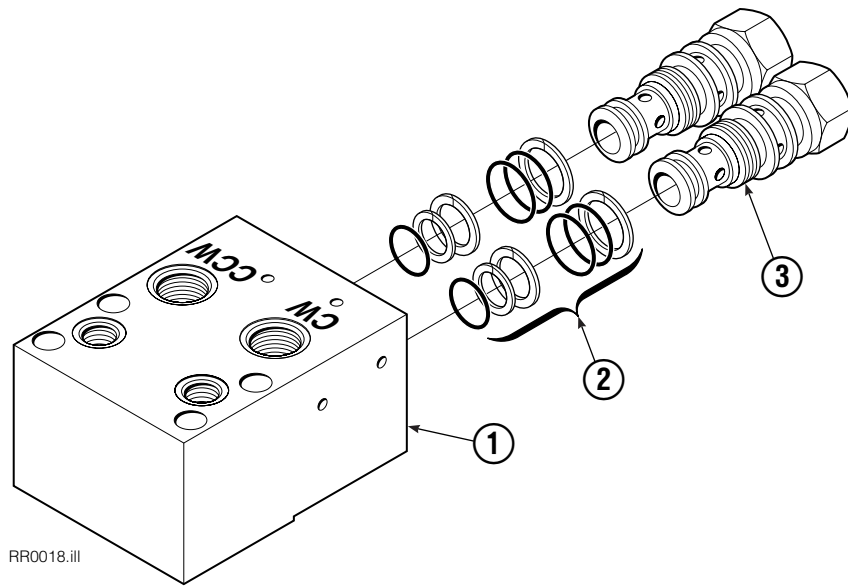
◆ See Drive Motor page for parts breakdown.

★ For service replacement use Bearing 670580.

▲ Used on Drive Groups dated 02/10 and later.

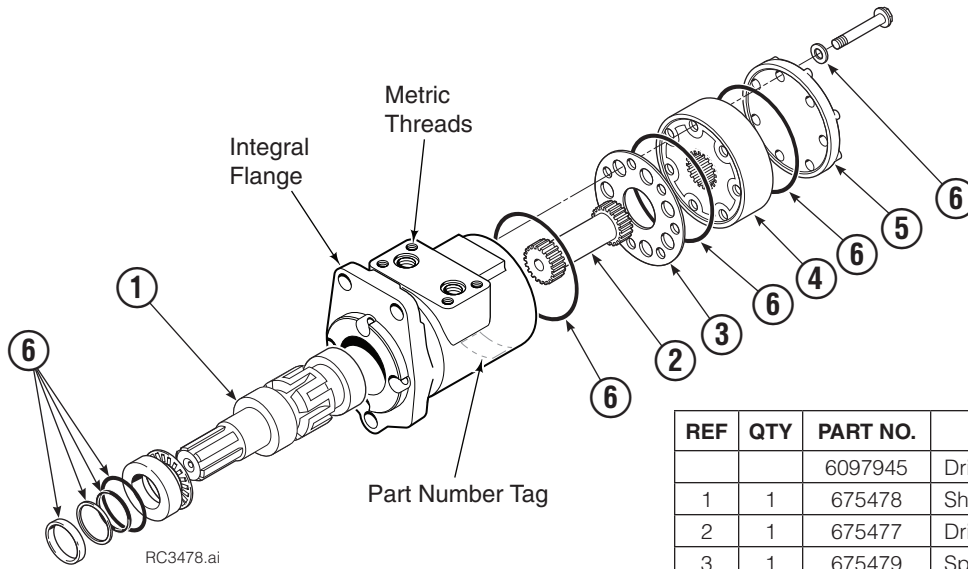
▼ Used on Drive Groups dated 02/10 and earlier.

# Check Valve



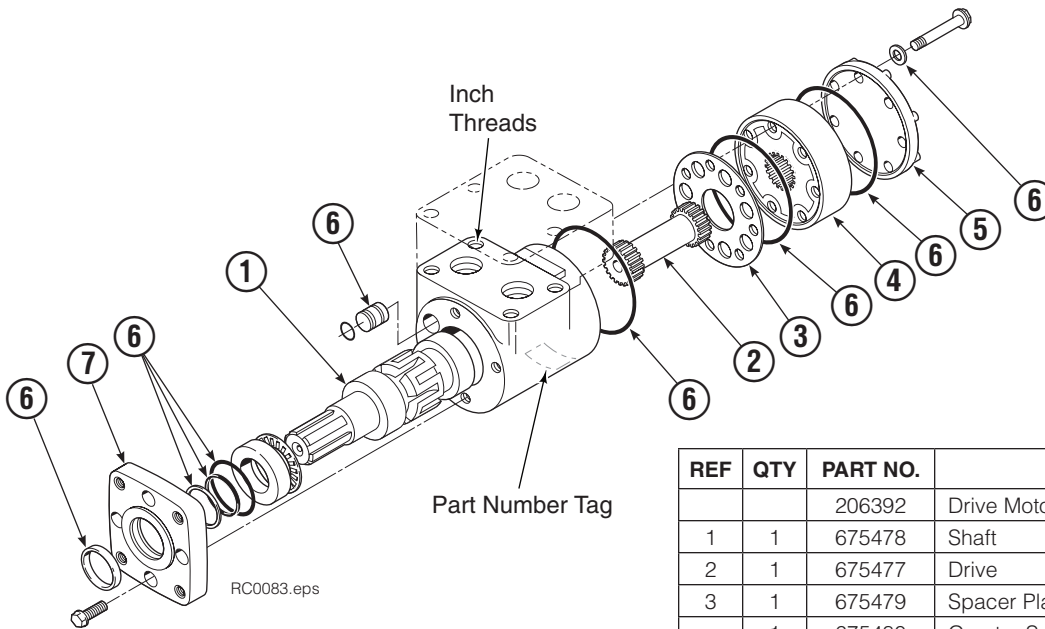
REF	QTY	PART NO.	DESCRIPTION
		670561	Check Valve Assembly
1	1	670583	Valve Body
2	2	656223	Seal Kit
3	2	665097	Check Valve Cartridge

# Drive Motor



REF	QTY	PART NO.	DESCRIPTION
		6097945	Drive Motor – 2.8 c.i.
1	1	675478	Shaft
2	1	675477	Drive
3	1	675479	Spacer Plate
4	1	685074	Gerotor Set
5	1	675482	End Cap
6	1	206405	Service Kit ●

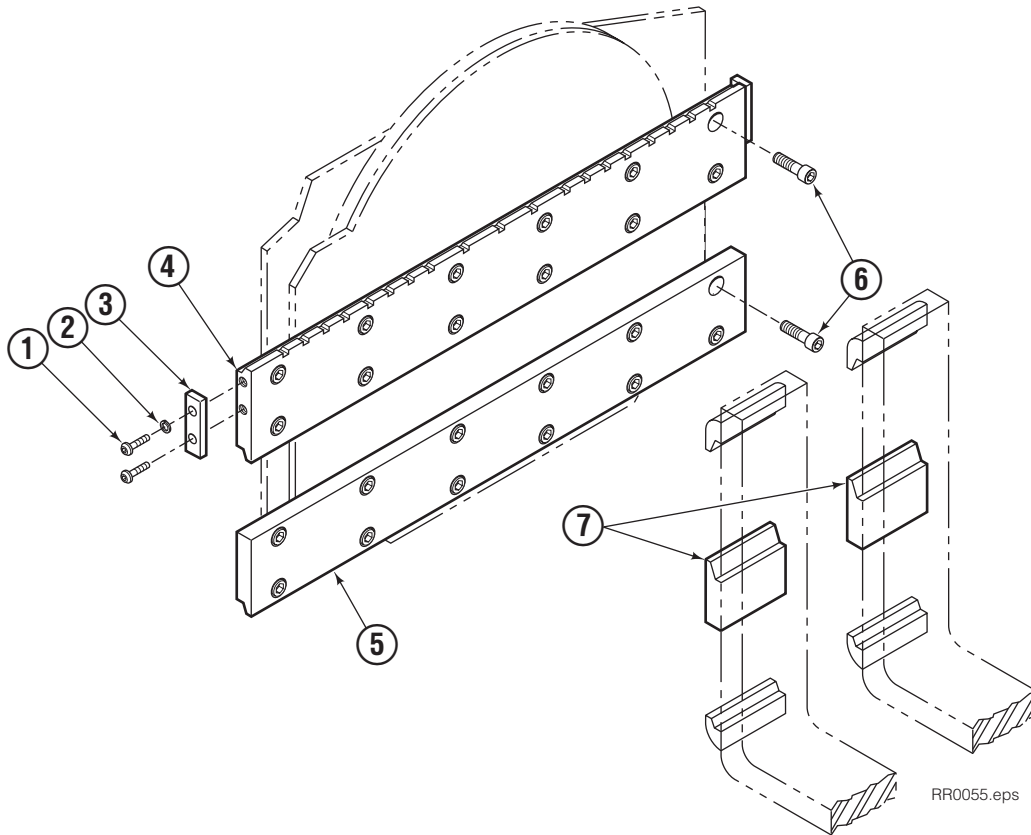
● Compatible with water glycol based hydraulic fluids.  
 Cascade provides service replacement parts for the listed parts only. Due to cost, if other parts need replacement, the complete drive motor should be replaced.



REF	QTY	PART NO.	DESCRIPTION
		206392	Drive Motor – 2.8 c.i.
1	1	675478	Shaft
2	1	675477	Drive
3	1	675479	Spacer Plate
4	1	675480	Gerotor Set (101-1768-007) ■
	1	685075	Gerotor Set (101-1768-009) ■
5	1	675482	End Cap
6	1	206405	Service Kit ●
7	1	685089	Flange (101-1768-007) ■
	1	685090	Flange (101-1768-009) ■

■ See Nameplate under valve for correct part number of Gerotor Set and Flange.  
 ● Compatible with water glycol based hydraulic fluids.  
 Cascade provides service replacement parts for the listed parts only. Due to cost, if other parts need replacement, the complete drive motor should be replaced.

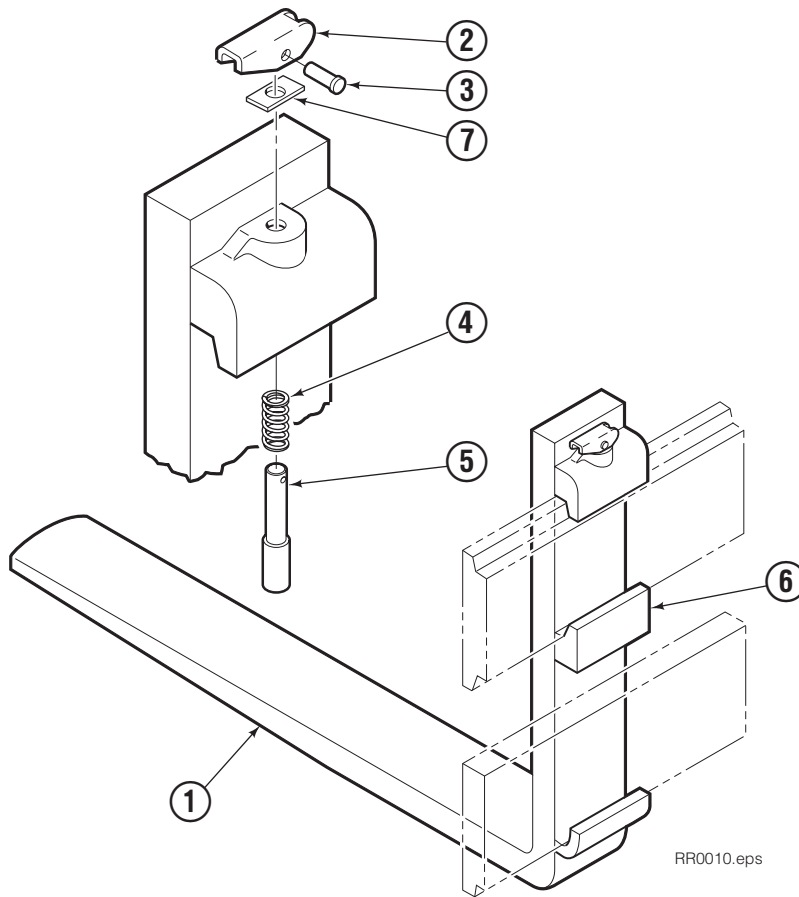
# Fork Bar Group



150D			
REF	QTY	PART NO.	DESCRIPTION
		206784	Fork Bar Group
1	4	4880	Capscrew, 1/2 x 1.00
2	4	6290	Lockwasher, 1/2
3	2	622148	Keeper
4	1	681243	Upper Bar
5	1	681246	Lower Bar
6	24	681249	Capscrew, 3/4 x 2.00
7	2	—	Hook

Reference: S-3304, S-3305, SK-4684.

# Adjustable Fork Assembly

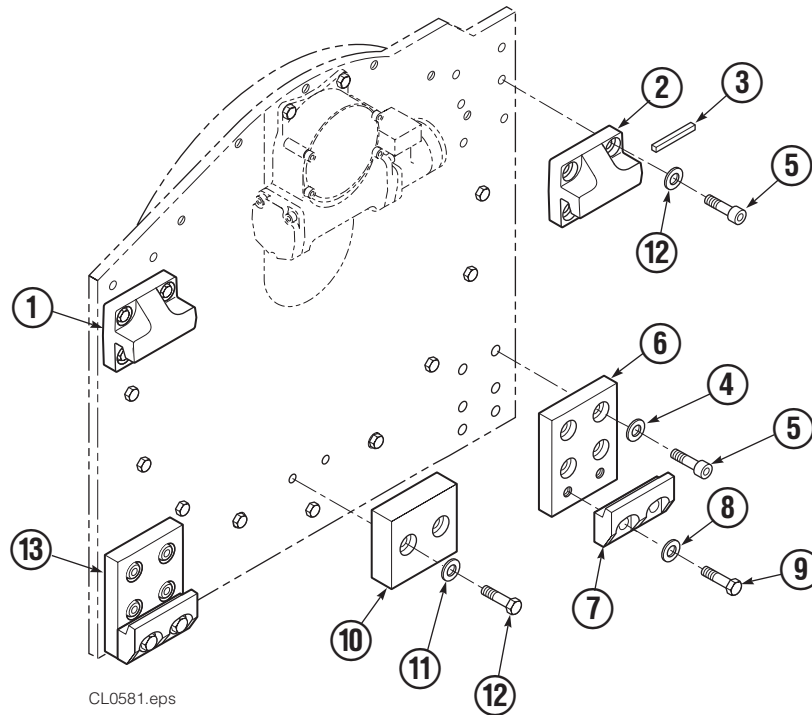


RR0010.eps

150D			
REF	QTY	PART NO.	DESCRIPTION
		681144	Fork Assembly
1	1	681141	Fork Weldment, 48"
2	1	622897	Handle
3	1	8007	Rivet
4	1	633668	Spring
5	1	633670	Pin
6	1	633671	Hook
7	1	633669	Washer

Reference: S-2224.

# Bolt-On Mounting Group



Class IV, 0°			
REF	QTY	PART NO.	DESCRIPTION
		682384	Mounting Group
1	1	670690	Upper Hook – LH
2	1	670691	Upper Hook – RH
3	1	670704	Stop Block Kit
4	14	6448	Lockwasher, 3/4
5	14	607104	Capscrew, 3/4 x 1.75
6	1	682665	Adapter Plate – RH
7	2	679832	Lower Hook
8	4	670692	Washer, 3/4
9	4	670693	Capscrew, 3/4 x 1.75
10	1	670695	Bumper
11	2	6290	Lockwasher, 1/2
12	2	3657	Capscrew, 1/2 x 2.00
13	1	682664	Adapter Plate – LH

Reference: SK-5382.

# Recommended Spare Parts List

150D-RRB-24C R0 Rotator				
PART NUMBER	DESCRIPTION	ATTACHMENTS SERVICED		
		1-5	6-19	20-50
	<b>DRIVE GROUP</b>			
676447	Worm	0	1	2
670559	Pinion	0	1	2
670581	Bearing	0	1	1
7214	Snap Ring	2	2	4
643423	O-Ring	1	2	2
6097945	Drive Motor ■	0	1	1
206392	Drive Motor ■	0	1	1
206405	Drive Motor Service Kit	1	1	2
668184	Sealant	1	2	2
675638	Bearing Service Kit	1	1	2
675637	Bearing Service Kit	1	2	2
656300	Gear Box Lube	1	2	2
	<b>CHECK VALVE</b>			
670561	Check Valve Assembly	0	1	1
	<b>STOP KIT</b>			
670704	Stop Kit	1	2	2
	<b>PAINT</b>			
668209	12 oz. Aerosol Can - Yellow	1	1	1
	<b>PUBLICATIONS</b>			
	Parts Manual	1	1	1
672946	Service Manual	1	1	1
672714	Operator's Guide	1	1	1
672327	Installation Instructions	1	1	1
679929	Tool Catalog	1	1	1

■ See part number and date stamp on Housing.

**Do you have questions you need answered right now?** Call your nearest Cascade Parts Department. Visit us online at [www.cascorp.com](http://www.cascorp.com)

**Cascade Corporation  
U.S. Headquarters**  
2201 NE 201st  
Fairview, OR 97024-9718  
Tel: 800-CASCADE (227-2233)  
FAX: 888-329-8207

**Cascade Canada Inc.**  
5570 Timberlea Blvd.  
Mississauga, Ontario  
Canada L4W-4M6  
Tel: 905-629-7777  
FAX: 905-629-7785

**Cascade GmbH**  
Niederwippekühl 1  
58579 Schalksmühle  
Germany  
Tel: 02355-50900  
FAX: 02355-509020

**Cascade Finland**  
A. Petreliuksenkatu 3  
01370 Vantaa  
Finland  
Tel: 09-8361925  
FAX: 09-8361935

**Cascade Italia S.R.L.  
European Headquarters**  
Via Dell'Artigianato 1  
37030 Vago di Lavagno (VR)  
Italy  
Tel: 39-045-8989111  
FAX: 39-045-8989160

**Cascade N.V.  
Benelux Sales**  
Damsluisweg 56  
PO Box 3009  
1300 El Almere  
The Netherlands  
Tel: 036-5492950  
FAX: 036-5492974

**Cascade Kenhar Ltd.**  
3 Kelbrook Road  
Parkhouse Ind. Estate  
Openshaw,  
Manchester M11 2DD  
England  
Tel: 0800-243015  
FAX: 0161-4384055

**Sales Scotland  
Macade Systems Ltd.**  
18 Melford Road  
Righead Ind. Estate  
Bellshill ML4 3LR  
Scotland  
Tel: 01698-845777  
FAX: 01698-845888

**Cascade Scandinavia AB**  
Hammarvägen 10  
PO Box 124  
S-56723 Vaggeryd  
Sweden  
Tel: 039-336950  
FAX: 039-336959

**Cascade France  
S.A.R.L. MHP**  
1D Rue De Charaintru BP 18,  
91360 Epinay-Sur-Orge  
France  
Tel: 01-6454-7500  
FAX: 01-6454-7501

**Cascade Hispania S.A.**  
Calle Mogoda, 66-68 Nave 8  
Pol Ind Can Salvatella  
08210 Barberá del Vallés -  
Barcelona, Spain  
Tel: +34 93719 7530  
Fax: +34 93719 75 31

**Cascade (Africa) Pty. Ltd.**  
PO Box 625, Isando 1600  
60A Steel Road  
Sparton, Kempton Park  
South Africa  
Tel: 27-11-975-9240  
FAX: 27-11-394-1147

**Movimenta Lda.**  
Parque Industrial  
Vale do Alecrim, Lote 108  
2950-403 Palmela  
Portugal  
Tel: 351-212387340  
FAX: 351-212387349

**Sales Switzerland  
Fahrzeugbedarf**  
8810, Horgen  
Switzerland  
Tel: 01-7279797  
FAX: 01-7279798

**Sales Poland**  
Targowa 35/61  
03-728 Warszawa  
Tel: 022-619 00 49  
FAX: 022-619 00 49  
Mobile Tel: 0501-27 29 55

**Sales Russia**  
EMCG Material Handling  
Equipment  
Moscow  
Tel: 095-795-2400  
FAX: 095-795-2475  
Email: [emcg@emcg.ru](mailto:emcg@emcg.ru)

**Cascade Japan Ltd.**  
2-23, 2-Chome,  
Kukuchi Nishimachi  
Amagasaki, Hyogo  
Japan, 661-0978  
Tel: 81-6-6420-9771  
FAX: 81-6-6420-9777

**Cascade Korea**  
121B 9L Namdong Ind.  
Complex, 691-8 Gojan-Dong  
Namdong-Ku  
Inchon, 405-310 Korea  
Tel: 82-32-821-2051  
FAX: 82-32-821-2055

**Cascade Australia**  
1445 Ipswich Road  
Rocklea, QLD 4107  
Australia  
Tel: 1-800-227-223  
FAX: 617-3373-7333

**Cascade New Zealand**  
15 Ra Ora Drive  
East Tamaki, Auckland  
New Zealand  
Tel: 64-9-273-9136  
FAX: 64-9-273-9137

**Cascade-Xiamen**  
No. 668 Yangguang Rd.  
Xinyang Industrial Zone  
Haicang, Xiamen City  
Fujian Province  
P.R. China 361026  
Tel: 86-592-651-2500  
FAX: 86-592-651-2571

**Sunstream Industries  
Pte Ltd.**  
No. 3 Tuas Link 1  
2263  
Singapore  
Tel: 65-6863-3488  
FAX: 65-6863-1368

**Cascade do Brasil  
LTDA**  
Rua João Guerra, 134  
Macuco, Santos - SP  
Brasil 11015-130  
Tel: 55-13-2105-8800  
Fax: 55-13-2105-8899

**Cascade India Material  
Handling Private Limited**  
No 9, Global Trade Centre  
1/1 Rambaugh Colony  
Lal Bahadur Shastri Road,  
Navi Peth, Pune 411 030  
(Maharashtra) India  
Phone: 020 2433 5460/5490  
Fax: 020 2433 0881

