



# Parts Manual

---

Model \_\_\_\_\_ Fork Positioner

Catalog Number \_\_\_\_\_ 100K-FPS-B052 R1

---

**cascade**®  
**corporation**

**For Technical Assistance call:** 800-227-2233, Fax: 888-329-8207

**To Order Parts call:** 888-227-2233, Fax: 888-329-0234

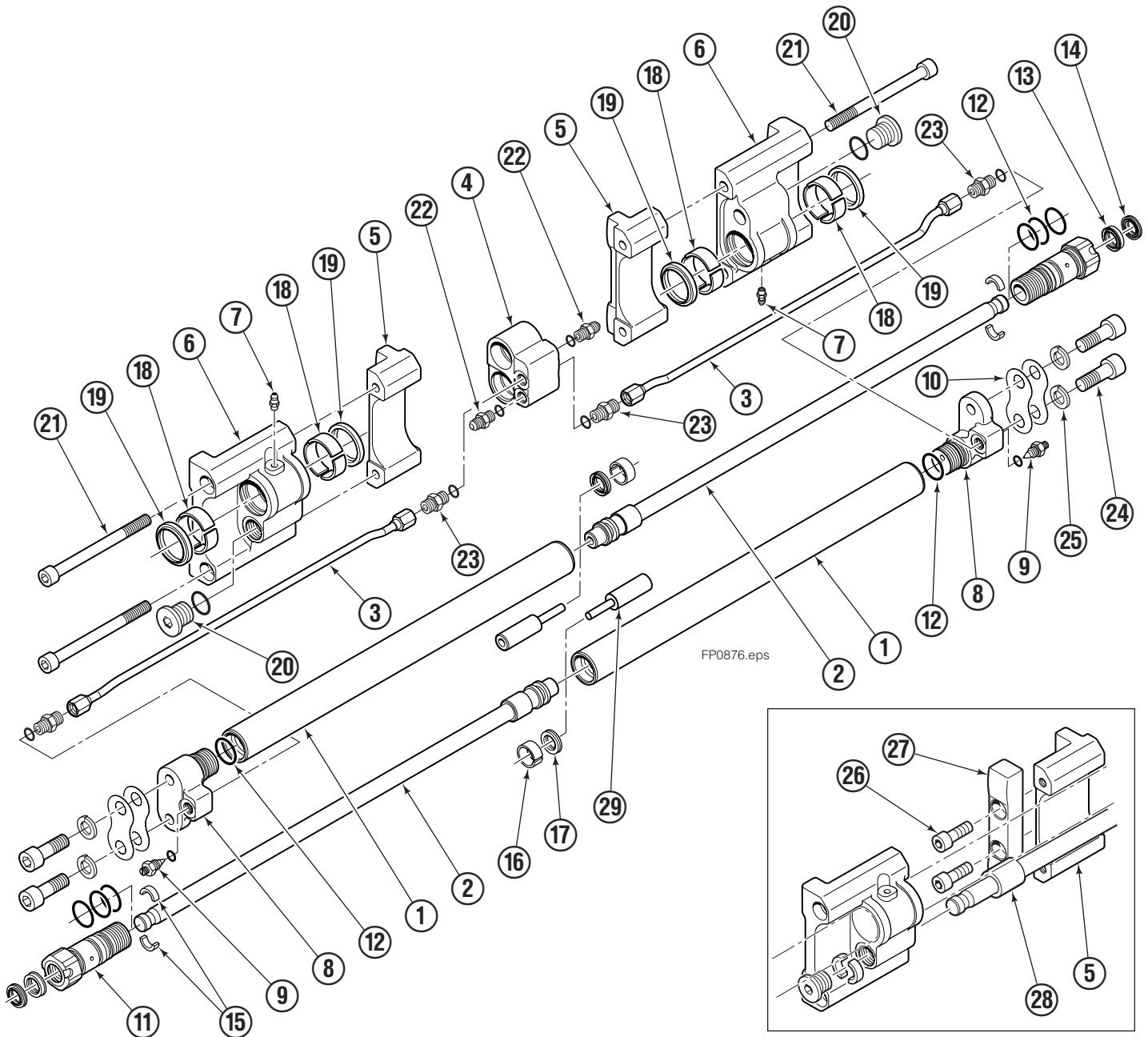
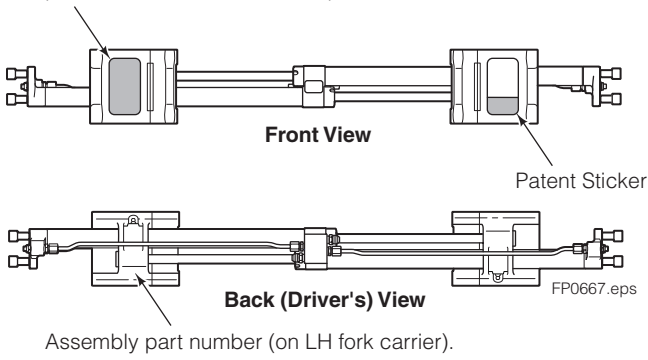
**OR**

**Write:** Cascade Corporation, P.O. Box 20187, Portland, OR 97220

**Internet:** [www.cascorp.com](http://www.cascorp.com)

# Fork Positioner Assembly

Sticker showing operating pressure, phone numbers for service & parts.



# Fork Positioner Assembly

## Items that vary by width

100K			
ASSEMBLY PART NO.	REF. NO. 1 ★ CYLINDER SHELL QTY 2	REF. NO. 2 ★ CYLINDER ROD QTY 2	REF. NO. 3 TUBE QTY 2
6079514	6079520	6079523	6079525

REF	QTY	PART NO.	DESCRIPTION
		6069312	Common Parts Group (R1)
4	1	6059224	Manifold
5	2	6059396	◆ Fork Carrier, Inner, 122/150/180 mm Fork
6	2	6059301	Fork Carrier, Outer
7	2	424115	Grease Fitting
8	2	6059267	Cylinder Head End
9	2	6042658	Restrictor Fitting
10	8	6059383	Shim
11	2	6059219	Cylinder Retainer
12	8	6059580	O-Ring, Retainer OD ✖
13	2	562132	Rod Seal, Retainer ✖
14	2	562131	Rod Wiper, Retainer ✖
15	4	6059382	Half-Ring Keeper
16	2	6059421	Piston Wear Ring ✖
17	2	6059422	Piston Seal ✖
18	4	6059419	Bearing, Composite
19	4	6059584	Wiper
20	2	6059459	Rod Retainer Plug
21	4	6405531	Capscrew, M12 x 160
22	2	6043332	Fitting, M10 to No.4 JIC ●
23	4	6042689	Fitting, M10 to EO-2 Tube
24	4	769577	Capscrew, M16 x 50 ■
25	4	678992	Lockwasher, M16 ■
26	4	767615	◆ Capscrew, M10 x 25
27	2	6059397	◆ Spacer Bar
28	2	—	Rod Spacer
29	2	6079526	Piston Spacer

★ If cylinder shell or rod needs replacing due to bending damage, order complete Fork Positioner Assembly.

◆ Included in Fork Carrier Assembly 6059395.

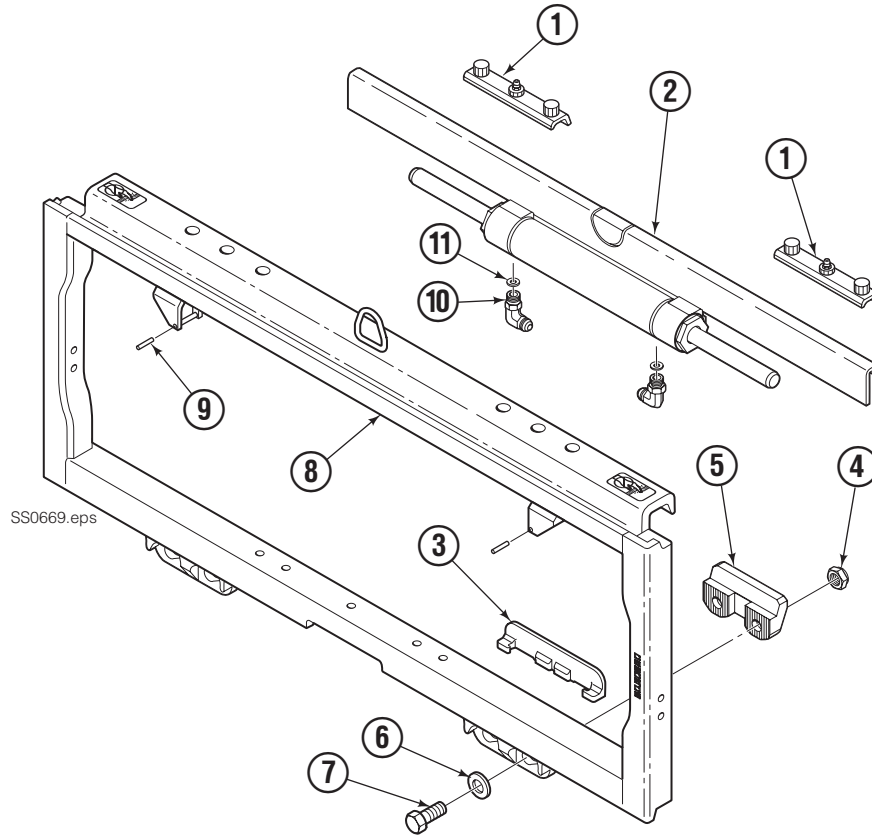
✖ Included in Cylinder Service Kit 6081752.

● Included in Fitting Group 6045440.

■ Included in Mounting Kit 6059460r2.

Reference: SK-8919.

# Sideshift Assembly



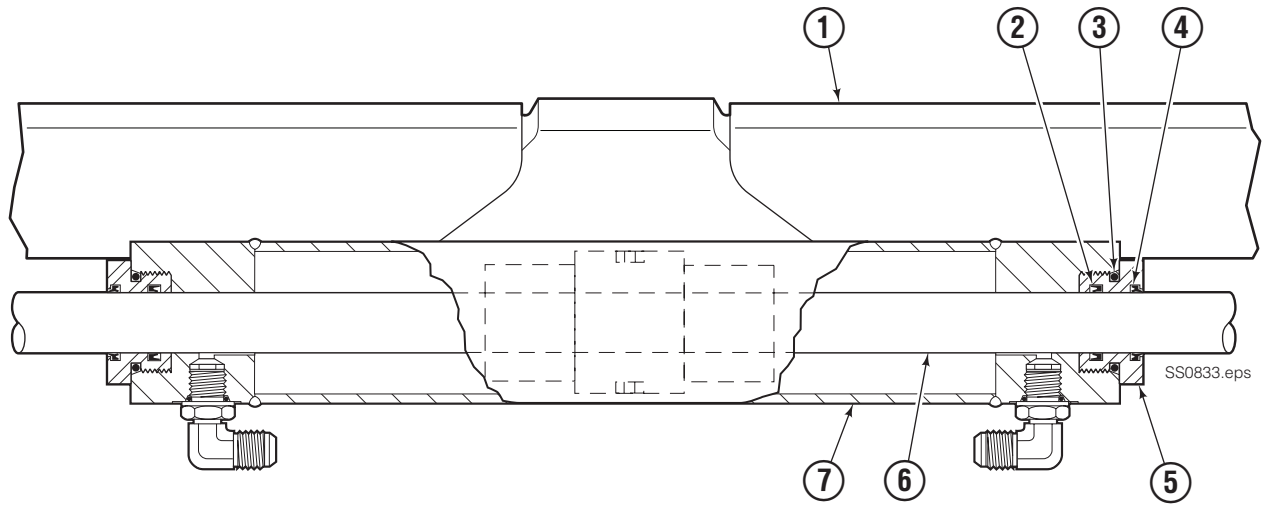
## 100K

REF	QTY	PART NO.	DESCRIPTION	REF	QTY	PART NO.	DESCRIPTION
1	2	6051249	Upper Bearing	7	4	752903	◆ Capscrew, M16 x 45
2	1	6079172	Cylinder ▲	8	1	6079532	● Frame
3	2	6057162	Lower Bearing	9	2	7916	Roll Pin
4	4	678990	◆ Nut, M16	10	2	601676	■ Fitting, 6-6
5	2	204186	◆ Lower Hook	11	2	221733	▼ Restrictor Washer
6	4	667225	◆ Washer				

- ▲ See Cylinder page for parts breakdown.
- ◆ Included in Lower Hook Group 204182.
- If the Frame needs replacing your best value is to order the complete Sideshift assembly.

- Included in Fitting Group 204179.
  - ▼ Included in Restrictor Group 221732.
- Reference: Common Parts 6058034, S-22966 – Type 1.

# Cylinder Assembly



100F			
REF	QTY	PART NO.	DESCRIPTION
1	1	6079172	Cylinder Assembly
2	2	564406	● Rod Seal
3	2	609241	● O-Ring
4	2	564408	● Rod Wiper Seal
5	2	6056530	Retainer
6	-	■	Rod/Piston Assembly
7	-	■	Cylinder Shell
		6091229	Rod Seal Service Kit

● Included in Service Kit 6091229.

■ Not serviceable - order new Cylinder Assembly.

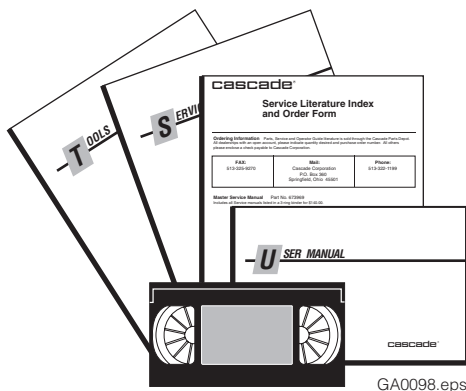
Reference: S-22654.

# Recommended Spare Parts

100K-Fork Positioner/Sideshifter				
PART NUMBER	DESCRIPTION	UNITS SERVICED		
		1-5	6-19	20-50
<b>FORK POSITIONER</b>				
6081752	Cylinder Internal Service Kit	0	4	8
6081751	Composite Bearing Service Kit	1	2	4
6081749	Bronze Bearing Service Kit	1	2	4
6059383	Mounting Shims	4	6	8
<b>SIDESHIFTER</b>				
■	Upper Bearing	8	16	32
■	Lower Bearing	6	12	24
■	Lower Hook	0	2	4
■	Capscrew	0	4	8
■	Nut	0	4	8
667225	Washer	0	4	8
■	Cylinder Assembly	0	0	1
6091229	Cylinder Rod Service Kit	1	2	4

■ See specific parts page.

## Publications



K-Series	
PART NO.	DESCRIPTION
6045671	User Manual (Operator's Guide, Installation, Periodic Maintenance, Parts)
6053927	Service Manual
679929	Tool Catalog
673964	Literature Index Order Form



**Do you have questions you need answered right now?** Call your nearest Cascade Parts Department. Visit us online at [www.cascorp.com](http://www.cascorp.com)

**Cascade Corporation  
U.S. Headquarters**  
2201 NE 201st  
Fairview, OR 97024-9718  
Tel: 800-CASCADE (227-2233)  
FAX: 888-329-8207

**Cascade Canada Inc.**  
5570 Timberlea Blvd.  
Mississauga, Ontario  
Canada L4W-4M6  
Tel: 905-629-7777  
FAX: 905-629-7785

**Cascade GmbH**  
Niederwippekühl 1  
58579 Schalksmühle  
Germany  
Tel: 02355-50900  
FAX: 02355-509020

**Cascade Finland**  
A. Petreliuksenkatu 3  
01370 Vantaa  
Finland  
Tel: 09-8361925  
FAX: 09-8361935

**Cascade Italia S.R.L.  
European Headquarters**  
Via Dell'Artigianato 1  
37030 Vago di Lavagno (VR)  
Italy  
Tel: 39-045-8989111  
FAX: 39-045-8989160

**Cascade N.V.  
Benelux Sales**  
Damsluisweg 56  
PO Box 3009  
1300 El Almere  
The Netherlands  
Tel: 036-5492950  
FAX: 036-5492974

**Cascade Kenhar Ltd.**  
3 Kelbrook Road  
Parkhouse Ind. Estate  
Openshaw,  
Manchester M11 2DD  
England  
Tel: 0800-243015  
FAX: 0161-4384055

**Sales Scotland  
Macade Systems Ltd.**  
18 Melford Road  
Righead Ind. Estate  
Bellshill ML4 3LR  
Scotland  
Tel: 01698-845777  
FAX: 01698-845888

**Cascade Scandinavia AB**  
Hammarvägen 10  
PO Box 124  
S-56723 Vaggeryd  
Sweden  
Tel: 039-336950  
FAX: 039-336959

**Cascade France  
S.A.R.L. MHP**  
1D Rue De Charaintru BP 18,  
91360 Epinay-Sur-Orge  
France  
Tel: 01-6454-7500  
FAX: 01-6454-7501

**Cascade Hispania S.A.**  
Calle Mogoda, 66-68 Nave 8  
Pol Ind Can Salvatella  
08210 Barberá del Vallés -  
Barcelona, Spain  
Tel: +34 93719 7530  
Fax: +34 93719 75 31

**Cascade (Africa) Pty. Ltd.**  
PO Box 625, Isando 1600  
60A Steel Road  
Sparton, Kempton Park  
South Africa  
Tel: 27-11-975-9240  
FAX: 27-11-394-1147

**Movimenta Lda.**  
Parque Industrial  
Vale do Alecrim, Lote 108  
2950-403 Palmela  
Portugal  
Tel: 351-212387340  
FAX: 351-212387349

**Sales Switzerland  
Fahrzeugbedarf**  
8810, Horgen  
Switzerland  
Tel: 01-7279797  
FAX: 01-7279798

**Sales Poland**  
Targowa 35/61  
03-728 Warszawa  
Tel: 022-619 00 49  
FAX: 022-619 00 49  
Mobile Tel: 0501-27 29 55

**Sales Russia**  
EMCG Material Handling  
Equipment  
Moscow  
Tel: 095-795-2400  
FAX: 095-795-2475  
Email: [emcg@emcg.ru](mailto:emcg@emcg.ru)

**Cascade Japan Ltd.**  
2-23, 2-Chome,  
Kukuchi Nishimachi  
Amagasaki, Hyogo  
Japan, 661-0978  
Tel: 81-6-6420-9771  
FAX: 81-6-6420-9777

**Cascade Korea**  
121B 9L Namdong Ind.  
Complex, 691-8 Gojan-Dong  
Namdong-Ku  
Inchon, 405-310 Korea  
Tel: 82-32-821-2051  
FAX: 82-32-821-2055

**Cascade Australia**  
1445 Ipswich Road  
Rocklea, QLD 4107  
Australia  
Tel: 1-800-227-223  
FAX: 617-3373-7333

**Cascade New Zealand**  
15 Ra Ora Drive  
East Tamaki, Auckland  
New Zealand  
Tel: 64-9-273-9136  
FAX: 64-9-273-9137

**Cascade-Xiamen**  
No. 668 Yangguang Rd.  
Xinyang Industrial Zone  
Haicang, Xiamen City  
Fujian Province  
P.R. China 361026  
Tel: 86-592-651-2500  
FAX: 86-592-651-2571

**Sunstream Industries  
Pte Ltd.**  
No. 3 Tuas Link 1  
2263  
Singapore  
Tel: 65-6863-3488  
FAX: 65-6863-1368

**Cascade do Brasil  
LTDA**  
Rua João Guerra, 134  
Macuco, Santos - SP  
Brasil 11015-130  
Tel: 55-13-2105-8800  
Fax: 55-13-2105-8899

**Cascade India Material  
Handling Private Limited**  
No 9, Global Trade Centre  
1/1 Rambaugh Colony  
Lal Bahadur Shastri Road,  
Navi Peth, Pune 411 030  
(Maharashtra) India  
Phone: 020 2433 5460/5490  
Fax: 020 2433 0881

