



Parts Manual

Model _____ Load Push _____

Serial Number _____ 45E-LXB-102 _____

cascade®

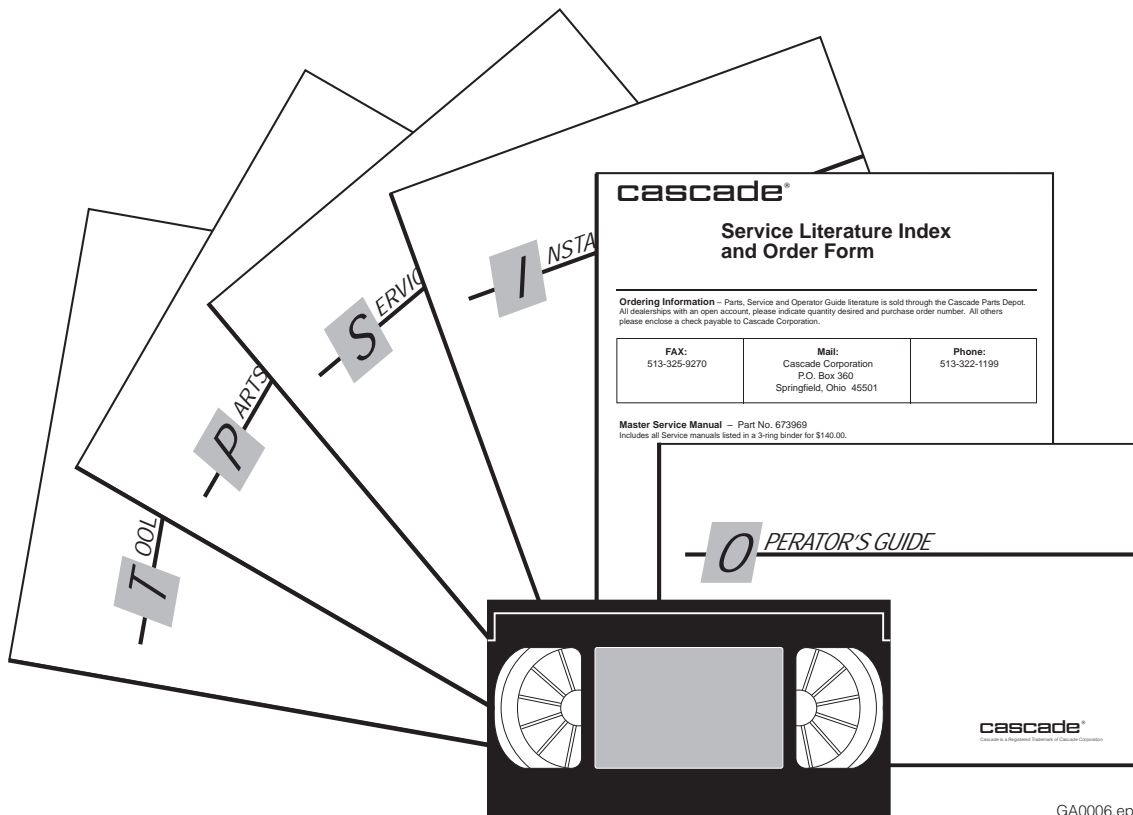
For Technical Assistance call: 800-227-2233, Fax: 888-329-8207

To Order Parts call: 888-227-2233, Fax: 888-329-0234

OR

Write: Cascade Corporation, P.O. Box 20187, Portland, OR 97220

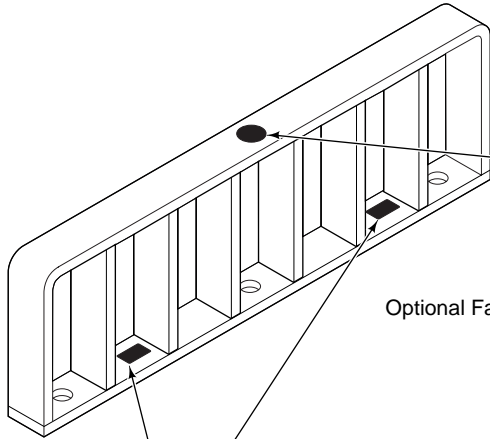
Publications



GA0006.eps

PART NO.	DESCRIPTION
	Parts Manual
686455	Service Manual
684945	Operators Guide
685531	Operators Pocket Guide
684944	Installation Instructions
680664	Servicing Cascade Cylinders-VHS
679929	Tool Catalog
673964	Literature Index Order Form

Decals



Optional Faceplate Extension



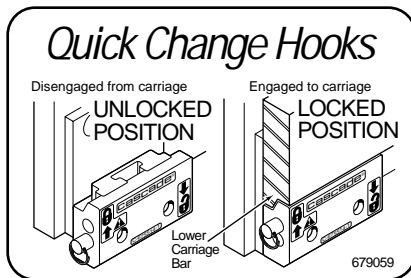
Part No. 679150
(1 Place & 1 optional)



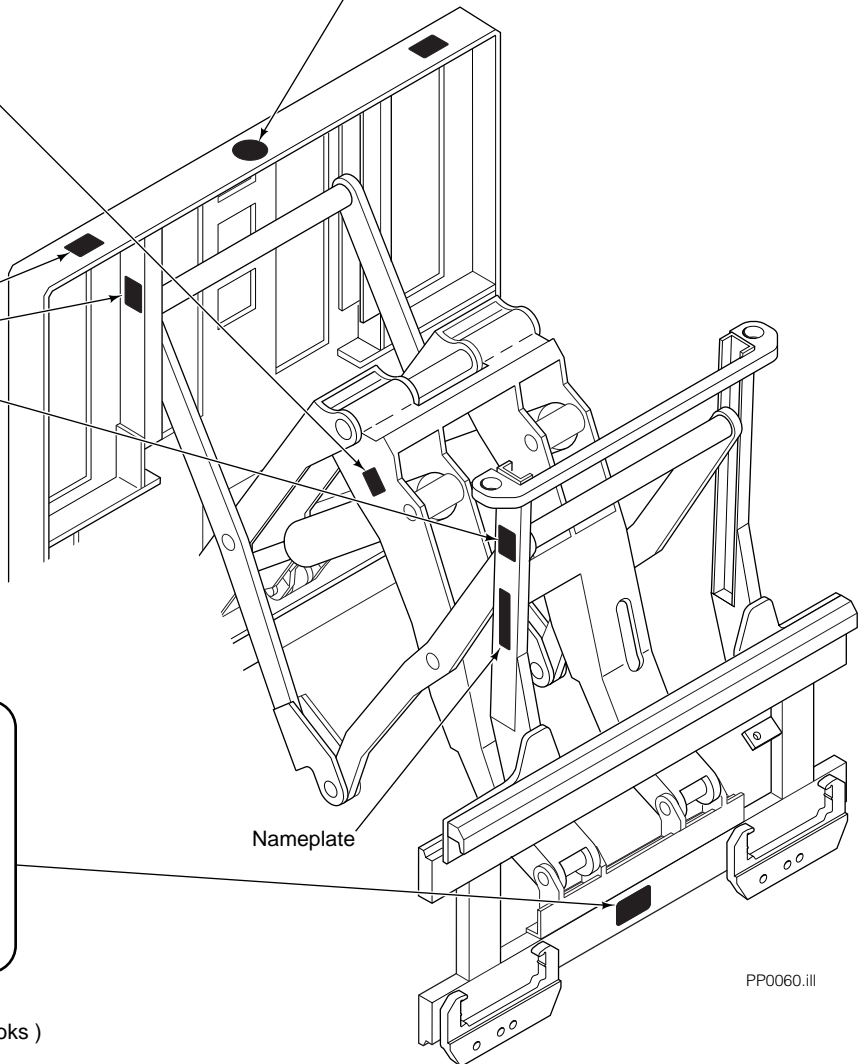
Part No. 665595
(2 Place & 2 optional)



Part No. 656038
(6 Places)

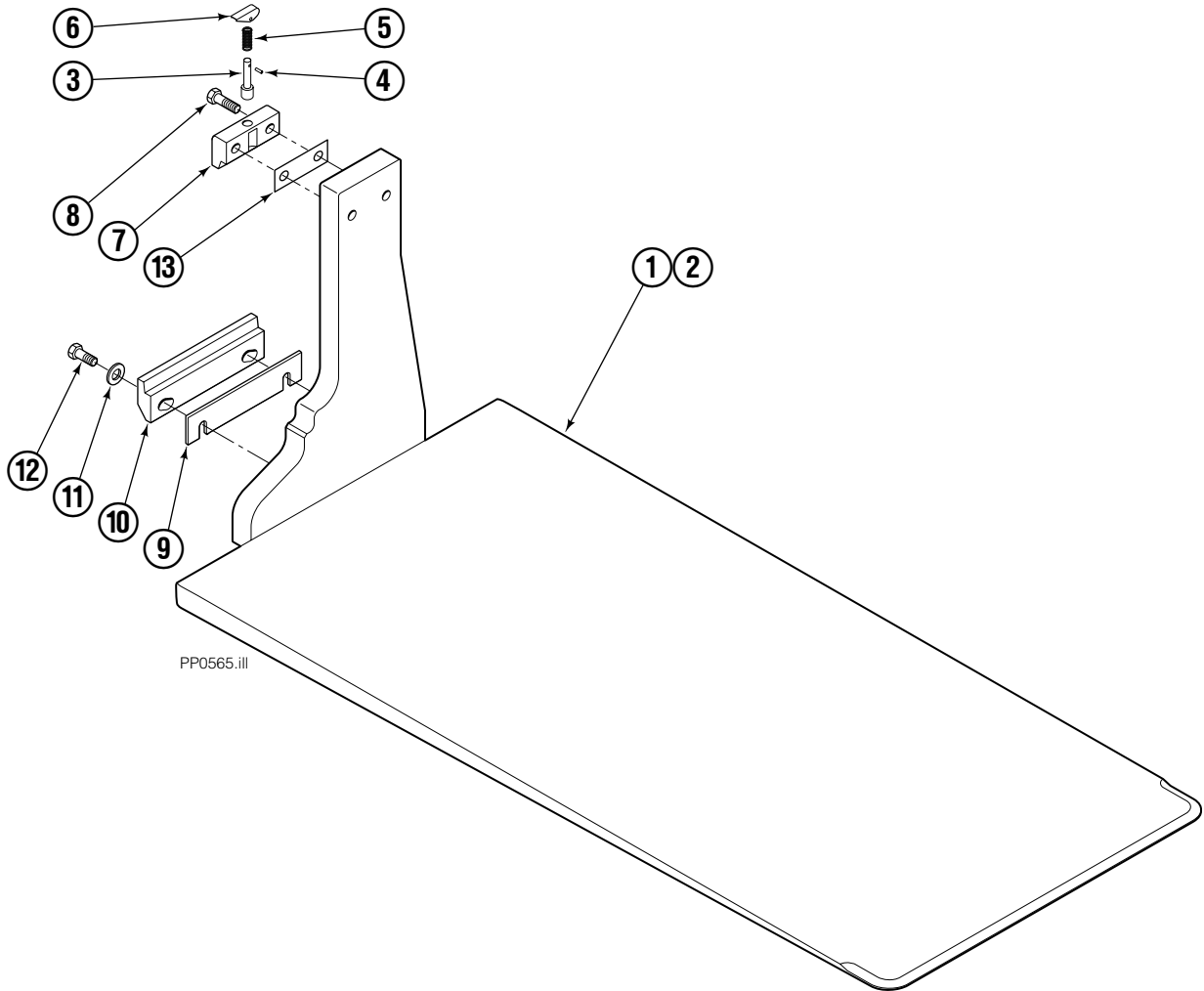


Part No. 679059
(1 Place if equipped with Quick Change Hooks)



PP0060.iii

Platen Group



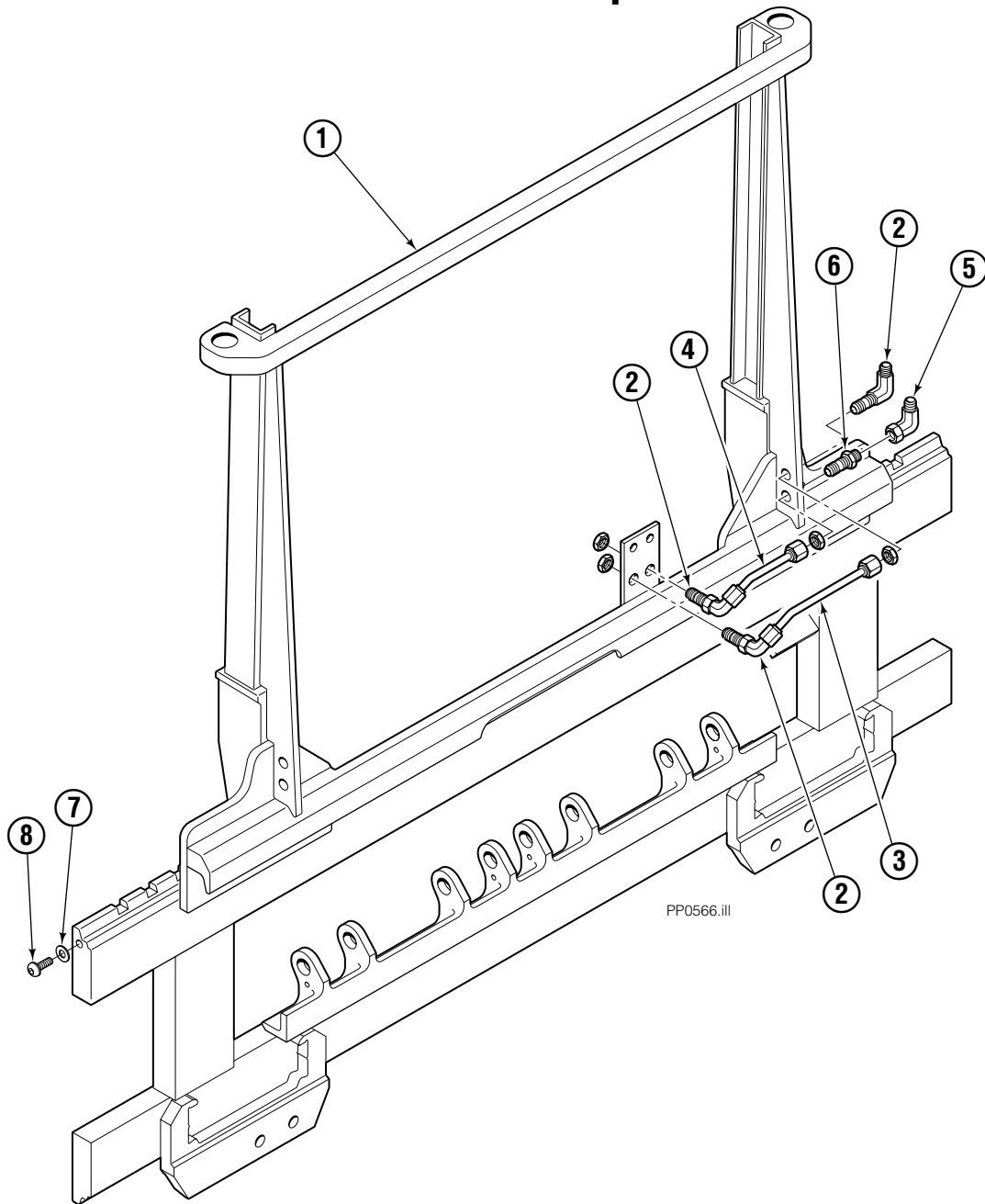
PP0565.ill

45E			
REF	QTY	PART NO.	DESCRIPTION
		6005828	Platen Group
1	1	6005831	Platen - LH
2	1	6005829	Platen - RH
3	2	622907	◆ Pin
4	2	8007	◆ Rivet
5	2	622908	◆ Spring
6	2	622897	◆ Handle
7	2	685533	◆ Upper Hook
8	4	685534	Capscrew, M16 x 50
9	●	682858	Shim (.30)
10	2	682851	Lower Hook
11	4	667225	Washer, .625
12	4	779010	Capscrew, M16 x 35
13	●	688379	Shim (.60)

◆ Included in Upper Hook Assembly 688386.

● As required.

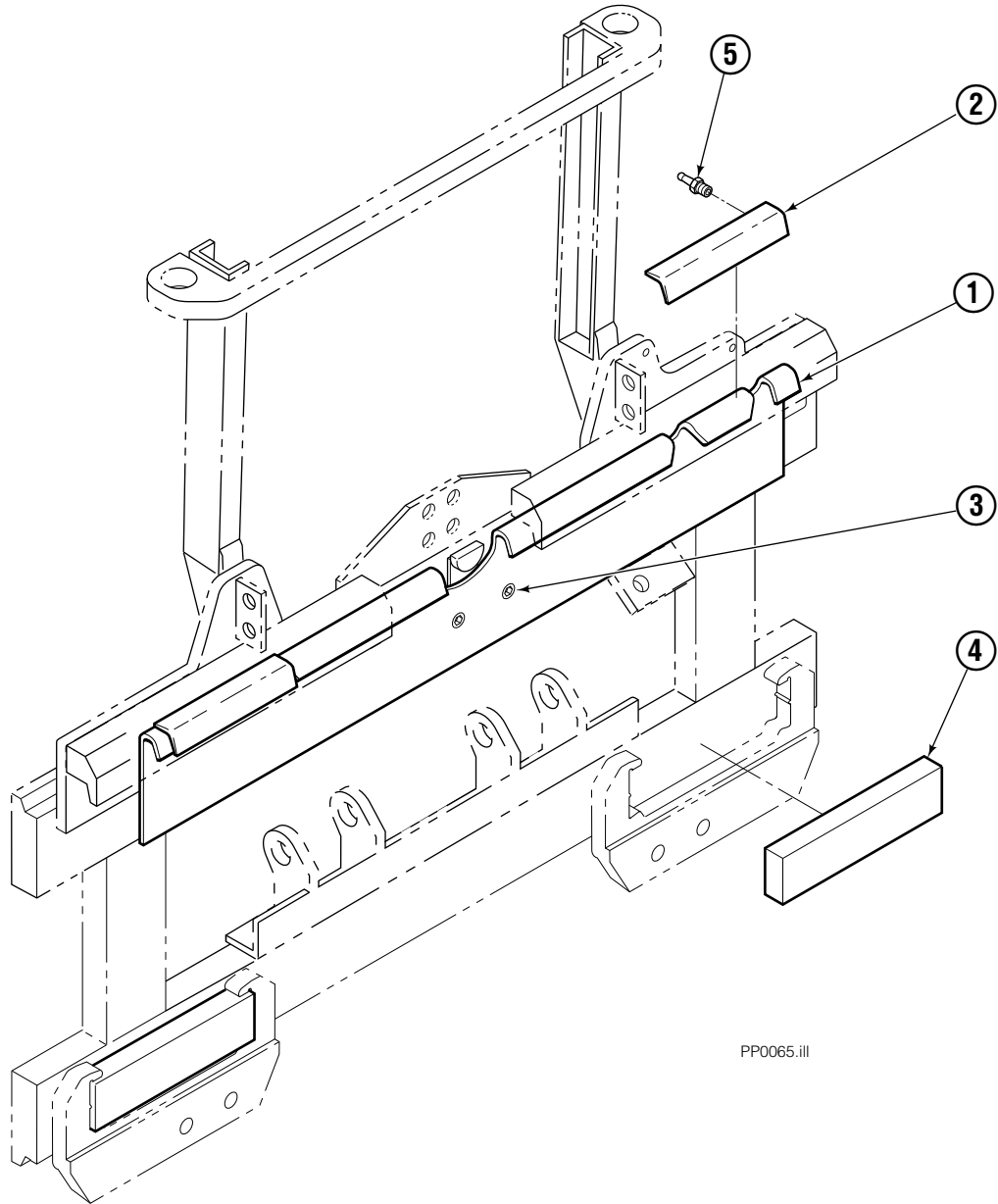
Frame Group



PP0566.ill

45E			
REF	QTY	PART NO.	DESCRIPTION
		6005837	Frame Group
1	1	6005838	Frame
2	3	2453	Fitting, 6-6
3	1	201735	Tube
4	1	201736	Tube
5	1	2680	Fitting, 6-6
6	1	2375	Fitting, 6-6
7	2	683001	Washer
8	2	683142	Capscrew, M12 x 20

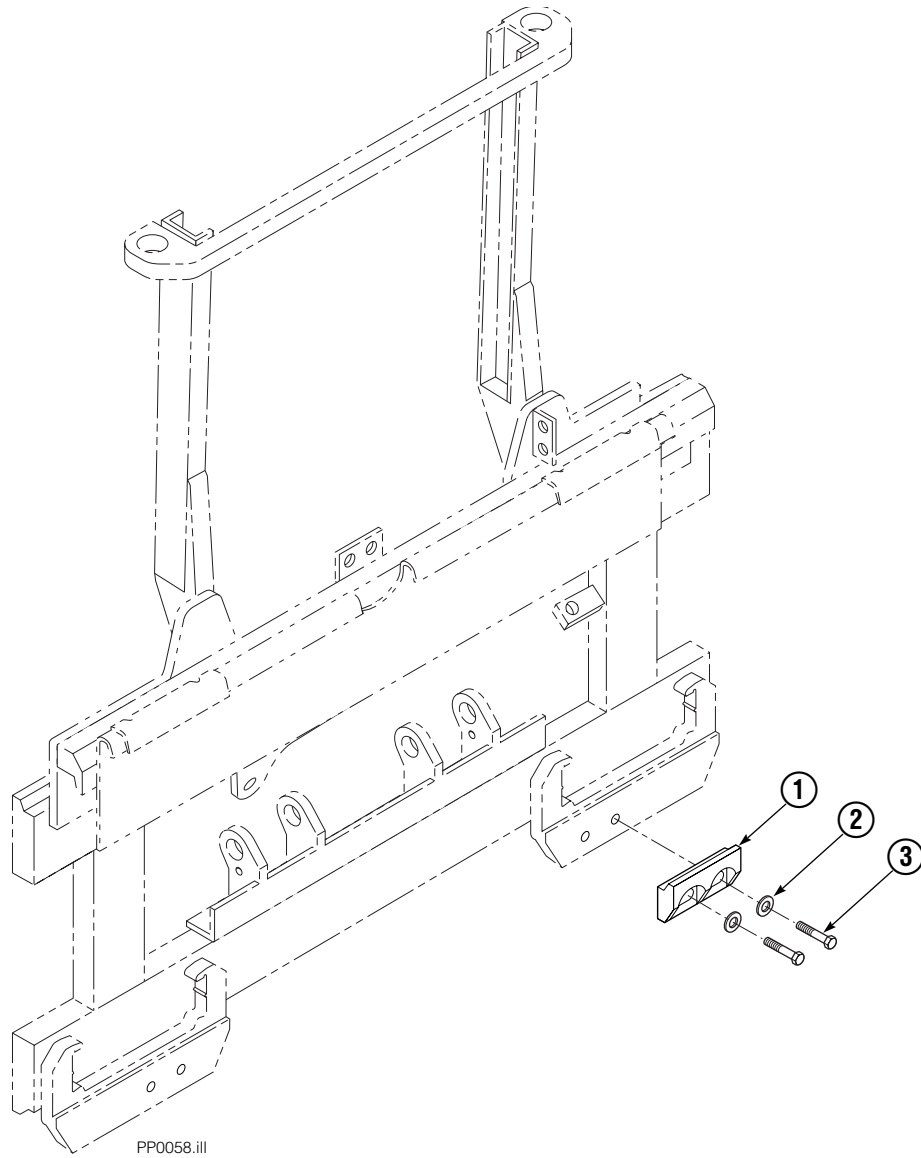
Non S/S Mounting Group ITA II



PP0065.ill

35E/45E			
REF	QTY	PART NO.	DESCRIPTION
		688836	Mounting Group-58" Wide
1	1	200316	Anchor Bracket-58" Wide
2	2	671165	Bearing Segment
3	2	768759	Setscrew
4	2	682814	Bearing
5	4	7403	Grease Fitting

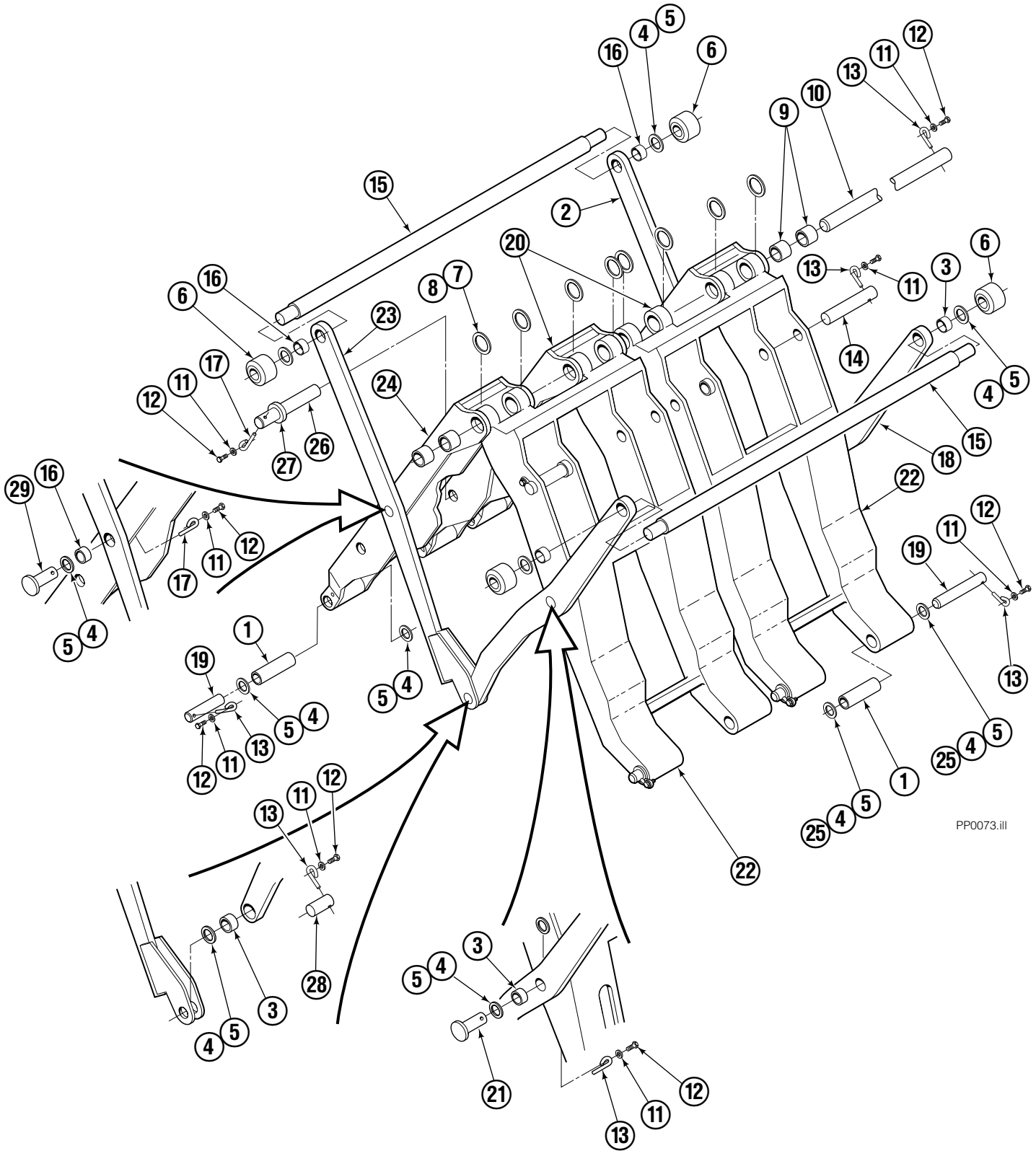
Bolt-On Lower Hook Group – ITA II



35E/45E			
REF	QTY	PART NO.	DESCRIPTION
		683178	Lower Hook Group ITA II
1	2	679360	Hook
2	4	667225	Washer
3	4	779010	Capscrew

Mechanism Group

58 in. Wide - 50 in. to 62 in. Stroke



PP0073.iii

Mechanism Group

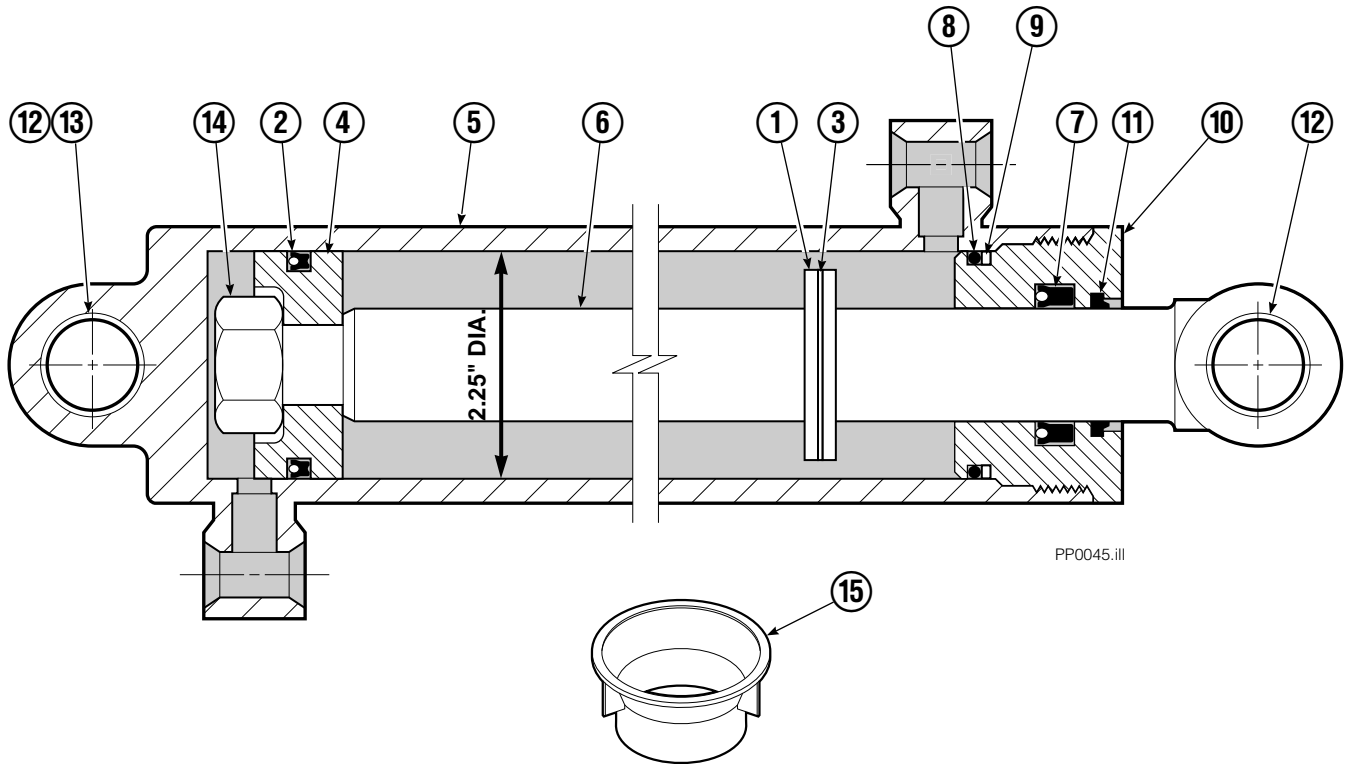
58 in. Wide - 50 in. to 62 in. Stroke

35E/45E			
REF	QTY	PART NO	DESCRIPTION
		204423	Mechanism Group
1	7	204535	Bushing ■
2	1	204522	Arm-Secondary Outer RH
3	6	683154	Bushing
4	●	683161	Shim
5	●	683162	Shim
6	4	205070	Roller
7	●	683163	Shim
8	●	683164	Shim
9	8	683155	Bushing ■
10	1	204596	Pin
11	19	6229	Washer
12	19	685661	Capscrew, M8x1.25x14-8.8
13	15	682999	Eye-Pin
14	2	682822	Pin-Head
15	2	205067	Pin
16	4	689202	Bushing ■
17	4	689954	Eye-Pin
18	2	204520	Arm-Outer Primary
19	7	204533	Pin-Frame
20	2	204519	Arm-Inner Secondary RH
21	2	689198	Pin-Primary Outer
22	2	204517	Arm-Inner Primary
23	1	204521	Arm-Secondary Outer LH
24	1	204518	Arm-Inner Secondary LH
25	●	204532	Shim
26	2	682823	Pin-Rod
27	2	683165	Spacer
28	2	204534	Pin-Outer
29	2	204600	Pin-Secondary Outer

● Quantity as required.

■ Included in Service Kit 205077.

Cylinder



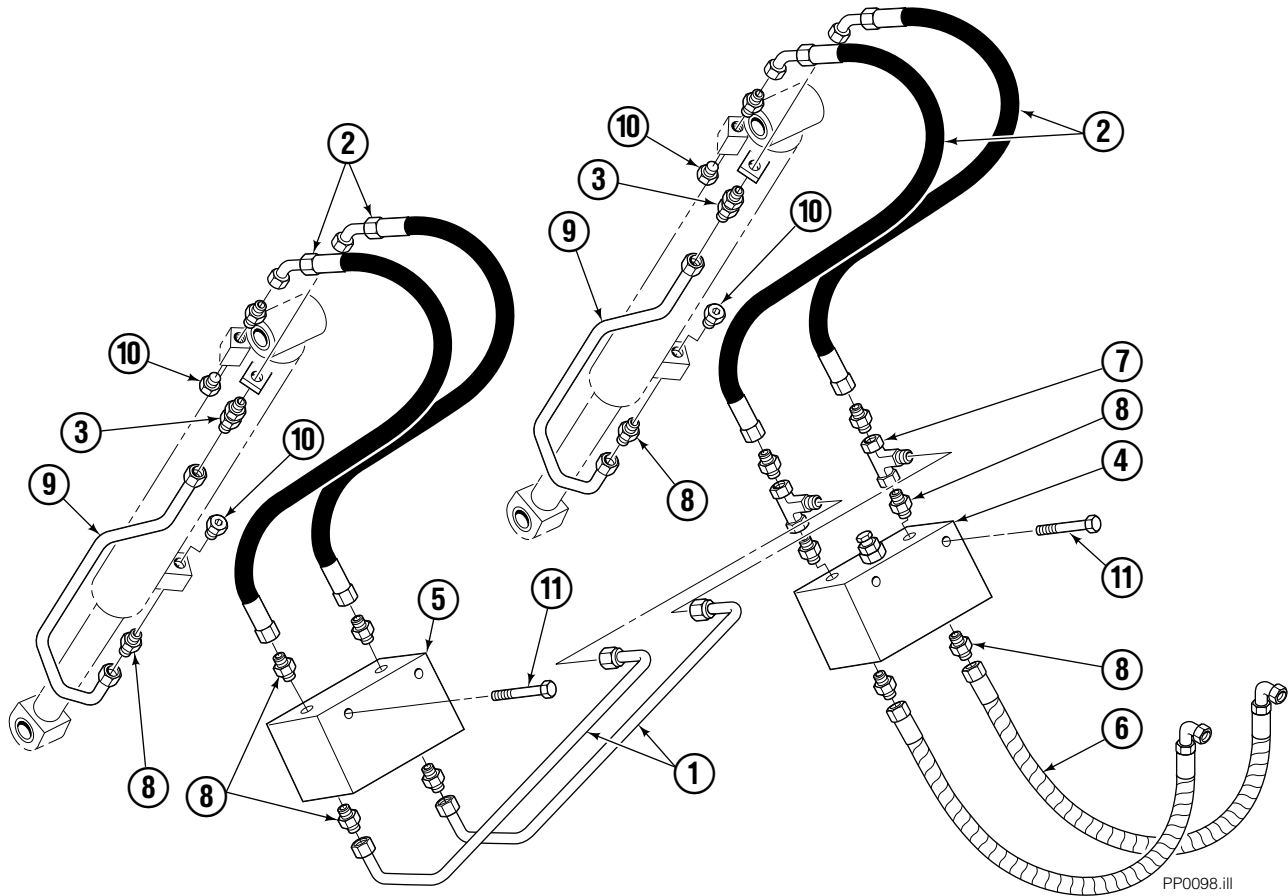
35E/45E

REF	QTY	PART NO.	DESCRIPTION
		200987	Cylinder Assembly
1	1	685380	Spacer
2	1	562553	Seal ■
3	1	7348	Snap Ring
4	1	562333	Piston
5	1	562717	Shell
6	1	558626	Rod
7	1	559705	Seal ■
8	1	2787	O-Ring ■
9	1	615130	Back-up Ring ■
10	1	558628	Retainer
11	1	636853	Wiper ■
12	4	559697	Bearing
13	1	559698	Spacer
14	1	678019	Nut
15	1	671048	Seal Loader Kit ■

■ Included in Service Kit 562339.

Ref: S-3424

Hydraulic Group

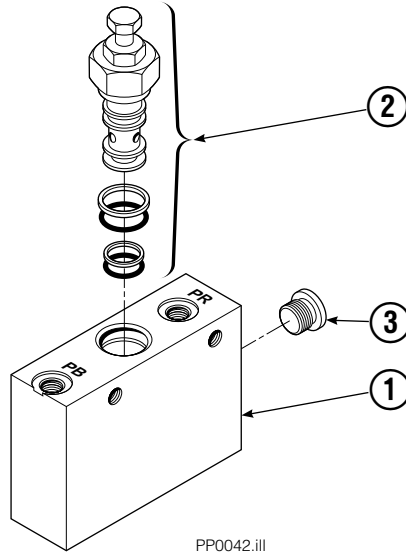


PP0098.ill

35E/45E			
REF	QTY	PART NO.	DESCRIPTION
		688843	Hydraulic Group
1	2	200322	Tube
2	4	200005	Hose
3	2	2375	Fitting, 6-6
4	1	688384	■ Valve
5	1	200372	Junction Block
6	2	685980	Hose
7	2	611307	Fitting
8	12	604511	Fitting
9	2	682995	Tube
10	6	604510	Plug
11	4	765329	Capscrew- M8x1.25x20-8.8

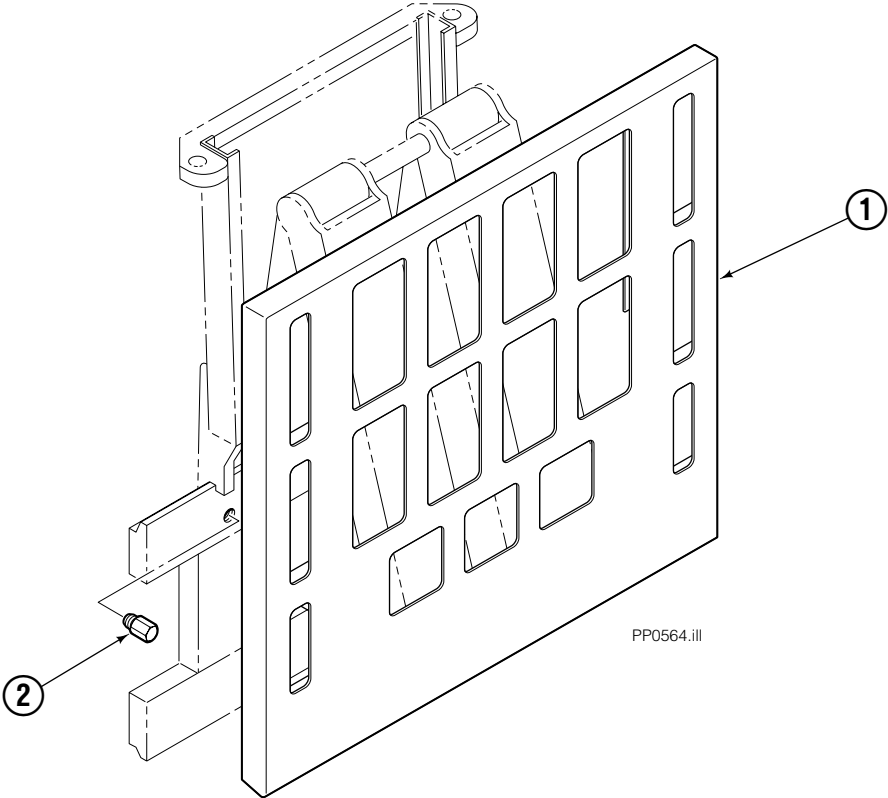
■ See Valve page for parts breakdown.

Valve Load Push



35E/45E			
REF	QTY	PART NO.	DESCRIPTION
		688384	Valve Assembly
1	1	688385	Body
2	1	687224	Relief Valve
3	2	663694	Fitting, 3

Faceplate Group



45E			
REF	QTY	PART NO.	DESCRIPTION
		6005844	Faceplate Group
1	1	6005845	Faceplate
2	2	682850	Stop

Do you have questions you need answered right now? Call your nearest Cascade Parts Department.

Cascade Corporation
2501 Sheridan Avenue
Springfield, OH 45505
Tel: 888-CASCADE (227-2233)
FAX: 888-329-0234

Cascade Canada Inc.
5570 Timberlea Blvd.
Mississauga, Ontario
Canada L4W-4M6
Tel: 905-629-7777
FAX: 905-629-7785

Cascade GmbH
D-41199 Monchengladbach
Klosterhofweg 52
Germany
Tel: 21-66-602091
FAX: 21-66-680947

Cascade Finland
01370 Vantas
Finland
Tel: 358-0-836-1925
FAX: 358-0-836-1935

**Cascade N.V.
European Headquarters**
P.O. Box 3009
1300 El Almere
Damsluisweg 56
1332 ED Almere
The Netherlands
Tel: 31-36-5492911
FAX: 31-36-5492964

**Cascade N.V.
Benelux Sales and Service**
P.O. Box 3009
1300 El Almere
Damsluisweg 56
1332 ED Almere
The Netherlands
Tel: 31-36-5492950
FAX: 31-36-5492974

Cascade (UK) Ltd.
15, Orgreave Crescent
Dore House Industrial Estate
Handsworth
Sheffield S13 9NQ
England
Tel: 742-697524
FAX: 742-695121

**Cascade Scandinavia
Hydraulik A.B.**
Muskötgatan 19, E8-9
S25466 Helsingborg
Sweden
Tel: 42-151135
FAX: 42-152997

Cascade Norway
Østerliveien 37A
1153 Oslo
Norway
Tel: 47-22-743160
FAX: 47-22-743157

Cascade France S.A.R.L.
11, Rue Jean Charcot
Zone Industrielle Sud or
B.P. 22
91421 Morangis Cedex
France
Tel: 1- 64547501
FAX: 1-9790584

Cascade Hispania S.A.
Avenida De La Fabregada, 7
Hospitalet De Llobregat
Barcelona
Spain
Tel: 3-335-5158
FAX: 3-335-4756

Cascade Japan Ltd.
5-5-41,
Torikai Kami
Settsu, Osaka
Japan, 566
Tel: 81-726-53-3490
FAX: 81-726-53-3497

Cascade Korea
Room 508, Pum Yang Bldg.
750-14, Bang Bac-Dong
Se-Cho Ku, Seoul
Korea
Tel: 2599-7131 ext. 512
FAX: 2533-8089

HYCO-Cascade Pty. Ltd.
1445 Ipswich Road
Rocklea,
Queensland 4107
Australia
Tel: 3-274-2722
FAX: 3-274-3456

HYCO-Cascade (NZ) Ltd.
15 Ra Ora Drive, East Tamaki
P.O. Box 38-440
Howick, Auckland
New Zealand
Tel: 9-273-9136
FAX: 9-273-9137

Cascade (Africa) Pty. Ltd.
P.O. Box 625, Isando 1600
60A Steel Road
Sparton, Kempton Park
South Africa
Tel: 975-9240
FAX: 394-1147

Cascade-Xiamen
Wanshan No. 1 Workshop
Huli Road
Xiamen 361006
Fujian, PRC
Tel: 592-562-4600
FAX: 592-562-4671

**Cascade (Singapore)
Trading Co.**
Four Seasons Park
Autumn Block - Apt. 1802
12 Cascaden Walk
Singapore
Tel: 65-834-1935
FAX: 65-834-1936

