



Parts Manual

Model _____ Paper Roll Clamp

Serial Number _____ 45F-RDF-147

cascade[®]

For Technical Assistance call: 800-227-2233, Fax: 888-329-8207

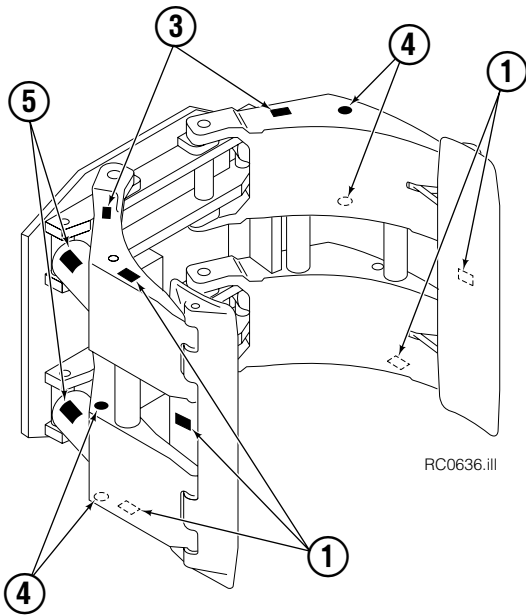
To Order Parts call: 888-227-2233, Fax: 888-329-0234

OR

Write: Cascade Corporation, P.O. Box 20187, Portland, OR 97220

Internet: www.cascorp.com

Safety Decals



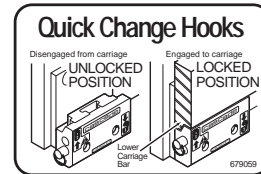
RC0636.ill



4



6



5



Roll Clamp Safety Decals			
REF	QTY	PART NO.	DESCRIPTION
1	6	665595	No Hand Hold Decal
2	3	660269	Short Arm Rotation Position Decal
3	4	656038	Caution Decal
4	4	679150	No Step Decal
5	4	665677	Trapped Pressure Decal
6	1	679059	Quick-Change Hook Decal

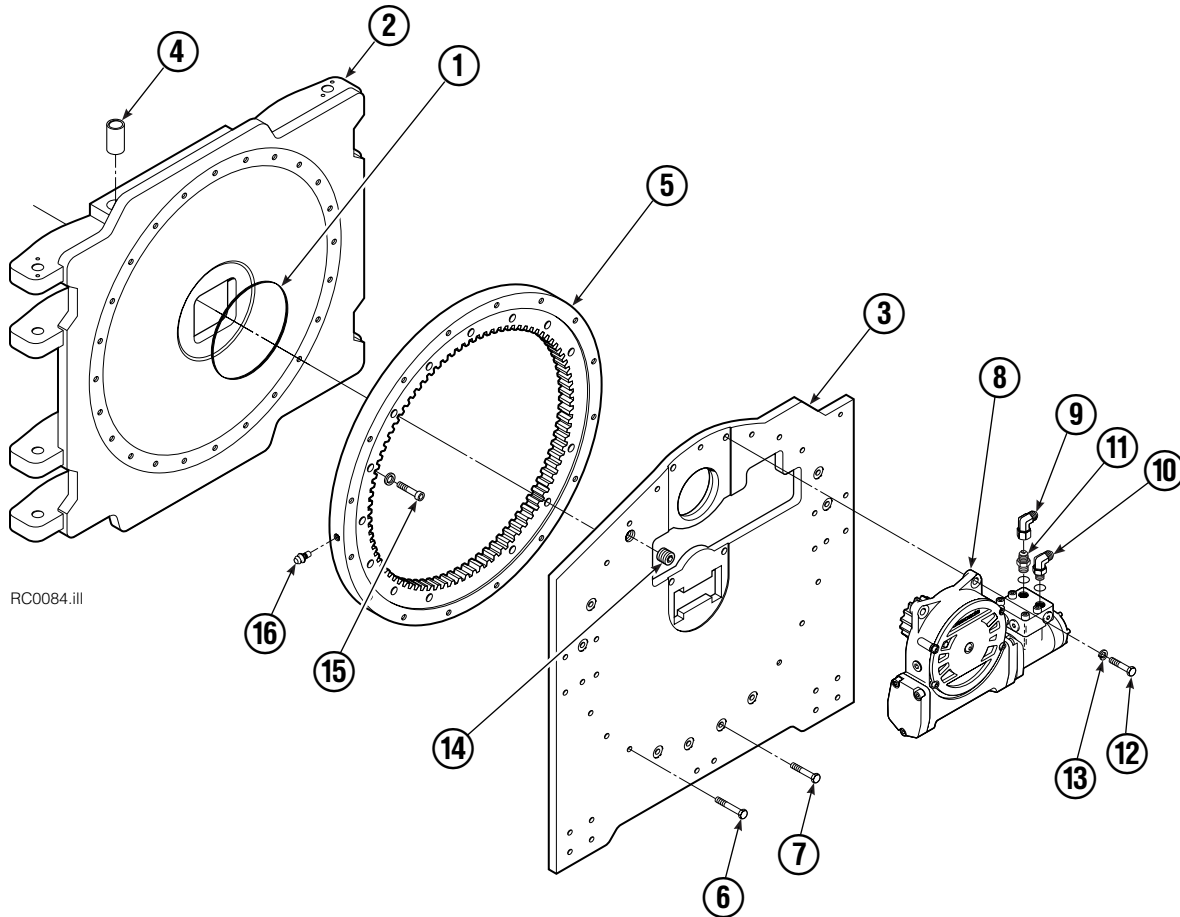
Publications



GA0006.ill

Roll Clamp Publications	
674512	Service Manual
674509	Operator's Guide – Fixed Frame
676268	Operator's Guide – Swing Frame
674510	Installation Instructions – Fixed Frame
674511	Installation Instructions – Swing Frame
677555	Driver Training Video – VHS
678363	Troubleshooting Video – VHS
680664	Servicing Cascade Cylinders – VHS
679929	Tool Catalog
673964	Literature Index Order Form

Frame Group



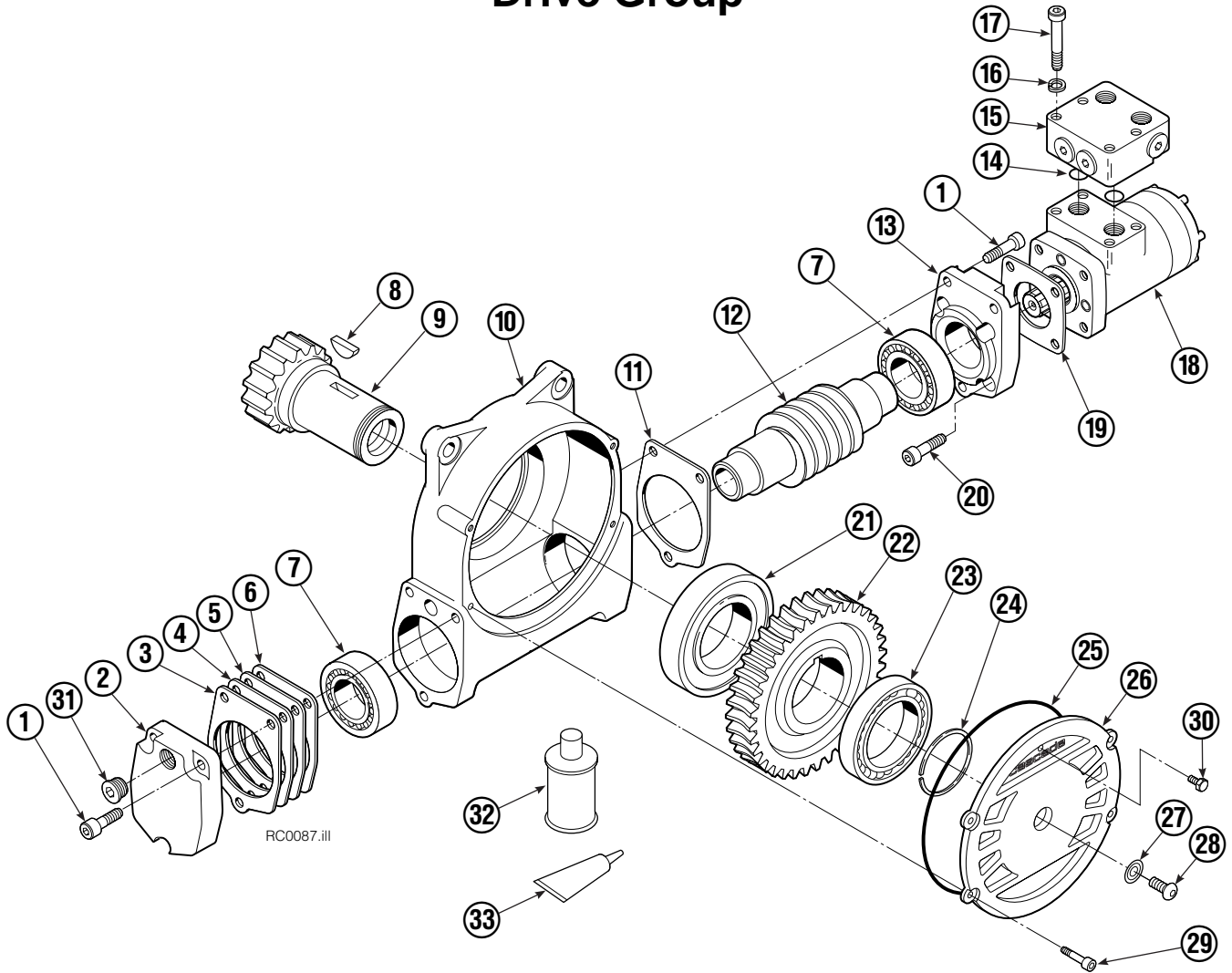
45F			
REF	QTY	PART NO.	DESCRIPTION
		682189	Frame Group
1	1	670931	Seal
2	1	682433	Faceplate
3	1	680679	Baseplate
4	8	674843	Bushing
5	1	672828	Bearing Assembly ▲
6	9	643539	Capscrew, 1/2 NC x 1.75
7	7	643538	Capscrew, 1/2 NC x 1.50
8	1	675628	Drive Group ●
9	1	605761	Fitting, 8-8
10	1	601250	Fitting, 8-8
11	1	601377	Fitting, 8-8
12	4	661742	Capscrew, 1/2 NC x 1.25
13	4	6290	Lockwasher
14	1	6605	Plug
15	16	4505	Capscrew ▲
16	1	7401	Grease Fitting

▲ Included in Bearing Service Kit 672481.

● See Drive Group page for parts breakdown.

Reference: Common Parts Group 680700, SK-5359.

Drive Group



REF	QTY	PART NO.	DESCRIPTION	REF	QTY	PART NO.	DESCRIPTION
		675628	Drive Group with Motor	19	1	670575	Gasket
	■	675631	Drive Group without Motor	20	4	4468	Capscrew, 3/8 NC x .75 GR8
1	6	607061	Capscrew	21	1	670580	Bearing
2	1	676855	Cover	22	1	675609	Worm Gear
3	●	674513	Shim – .005 in. (blue)	23	1	670581	Bearing
4	●	670574	Shim – .010 in. (brown)	24	1	7214	Snap Ring
5	●	671757	Shim – .015 in. (pink)	25	1	643423	Gasket
6	●	671758	Shim – .020 in. (yellow)	26	1	670567	Cover
7	1	670579	Bearing	27	1	603680	Seal
8	1	670582	Key	28	1	783608	Capscrew, M12 x 16
9	1	670506	Pinion	29	4	671535	Capscrew
10	1	670565	Housing	30	1	644010	Relief Fitting
11	1	686465	Gasket	31	1	604510	Fitting, 6
12	1	675608	Worm	32	1	656300	Gear Box Lube – 48 oz.
13	1	670570	Adapter	33	1	668184	Sealant
14	2	2705	O-Ring			670578	Shim Service Kit (items 3-6, 11, 33)
15	1	670549	Check Valve			675637	Shim Service Kit (items 21, 33)
16	4	6444	Lockwasher, 5/16			675638	Shim Service Kit (items 3-7)
17	4	607059	Capscrew, 5/16 NC			206394	Motor Kit (items 11,14,18,19,20,33)
18	1	206392	Drive Motor ▲				

- Includes all items except 15, 17 and 18.
- Quantity as required.
- ▲ See Drive Motor page for parts breakdown.

Reference: Common Parts Group 675627, SK-5032.

Drive Motor



REF	QTY	PART NO.	DESCRIPTION
		206392	Drive Motor
1	1	675478	Shaft
2	1	675477	Drive
3	1	675479	Spacer Plate
4	1	675480	■ Gerotor Set (101-1768-007)
4	1	685075	■ Gerotor Set (101-1768-009)
5	1	675482	End Cap
6	1	206405	● Service Kit
7	1	685089	■ Flange (101-1768-007)
7	1	685090	■ Flange (101-1768-009)

Cascade provides service replacement parts for the listed parts only. Due to cost, if others parts need replacement, the complete drive motor should be replaced.

■ See Nameplate under valve for correct part number of Gerotor Set and Flange.

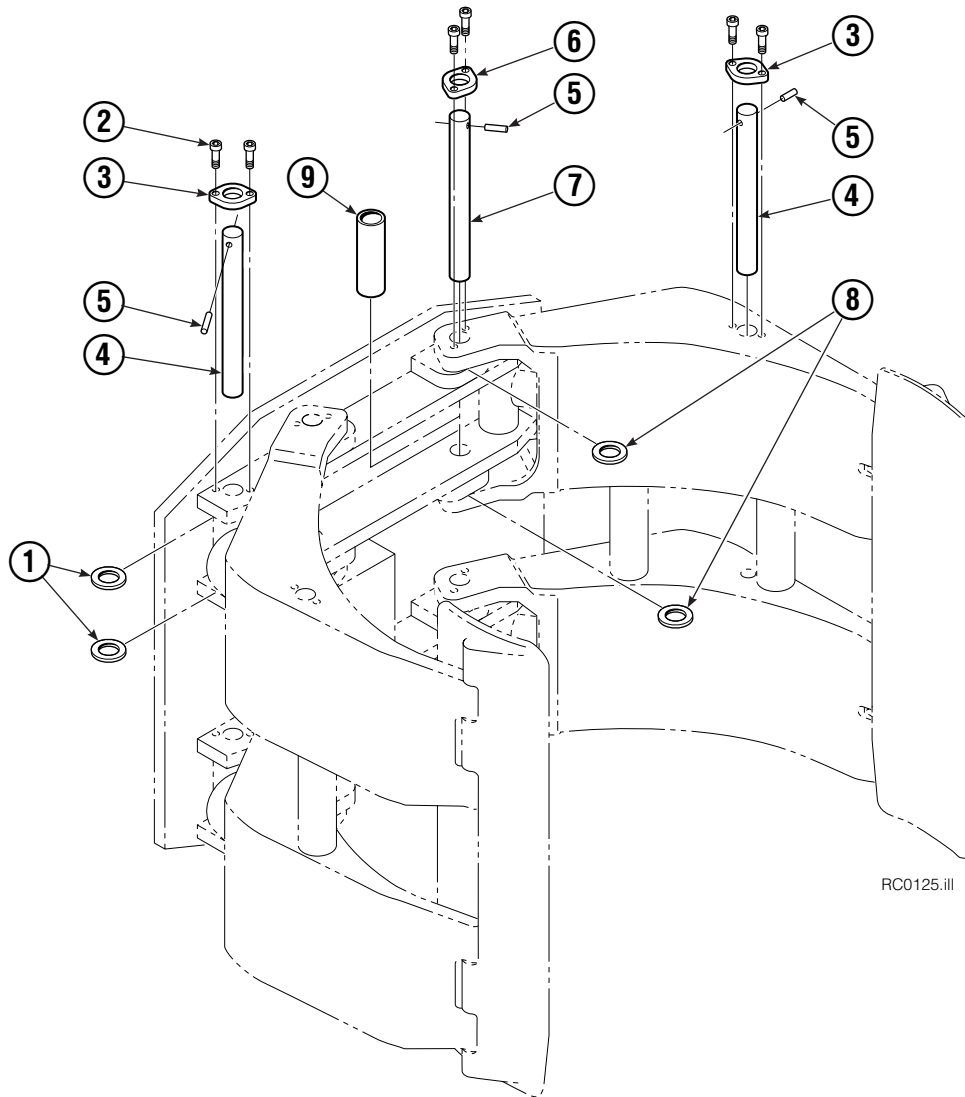
● Compatible with water glycol based hydraulic fluids.

Check Valve



REF	QTY	PART NO.	DESCRIPTION
		670549	Check Valve Assembly
1	2	609453	Fitting, 10
2	2	670552	Spring
3	2	670551	Guide
4	2	7020	Ball
5	2	602580	Fitting, 8
6	2	673989	Spring
7	1	670550	Body
8	1	670553	Spool

Common Components Group

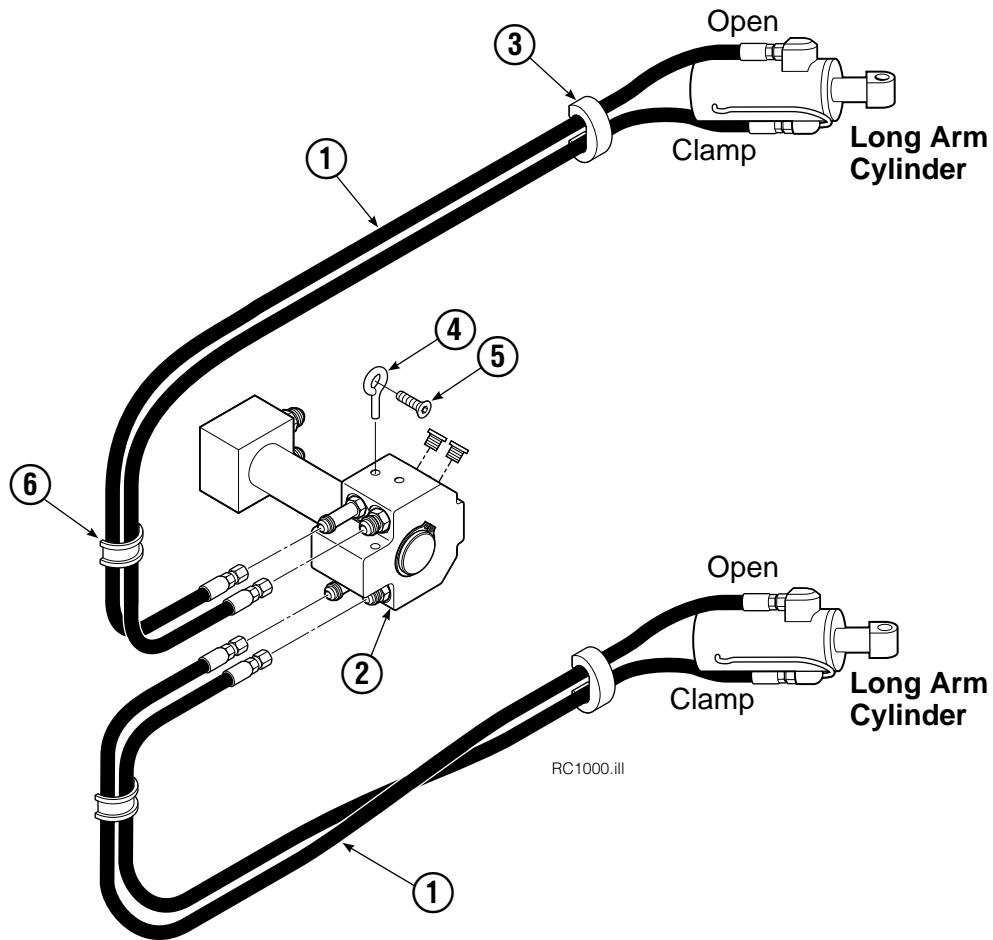


RC0125.ill

45F			
REF	QTY	PART NO.	DESCRIPTION
		680634	Common Components Group
1	8	674837	Shim
2	24	4466	Capscrew, 3/8 NC x .50
3	8	674827	Retainer
4	8	680639	Pin
5	12	673385	Drive Pin
6	4	674828	Retainer
7	4	674835	Pin
8	16	660200	Shim
9	4	681669	Spacer

Reference: SK-4962, SK-4963.

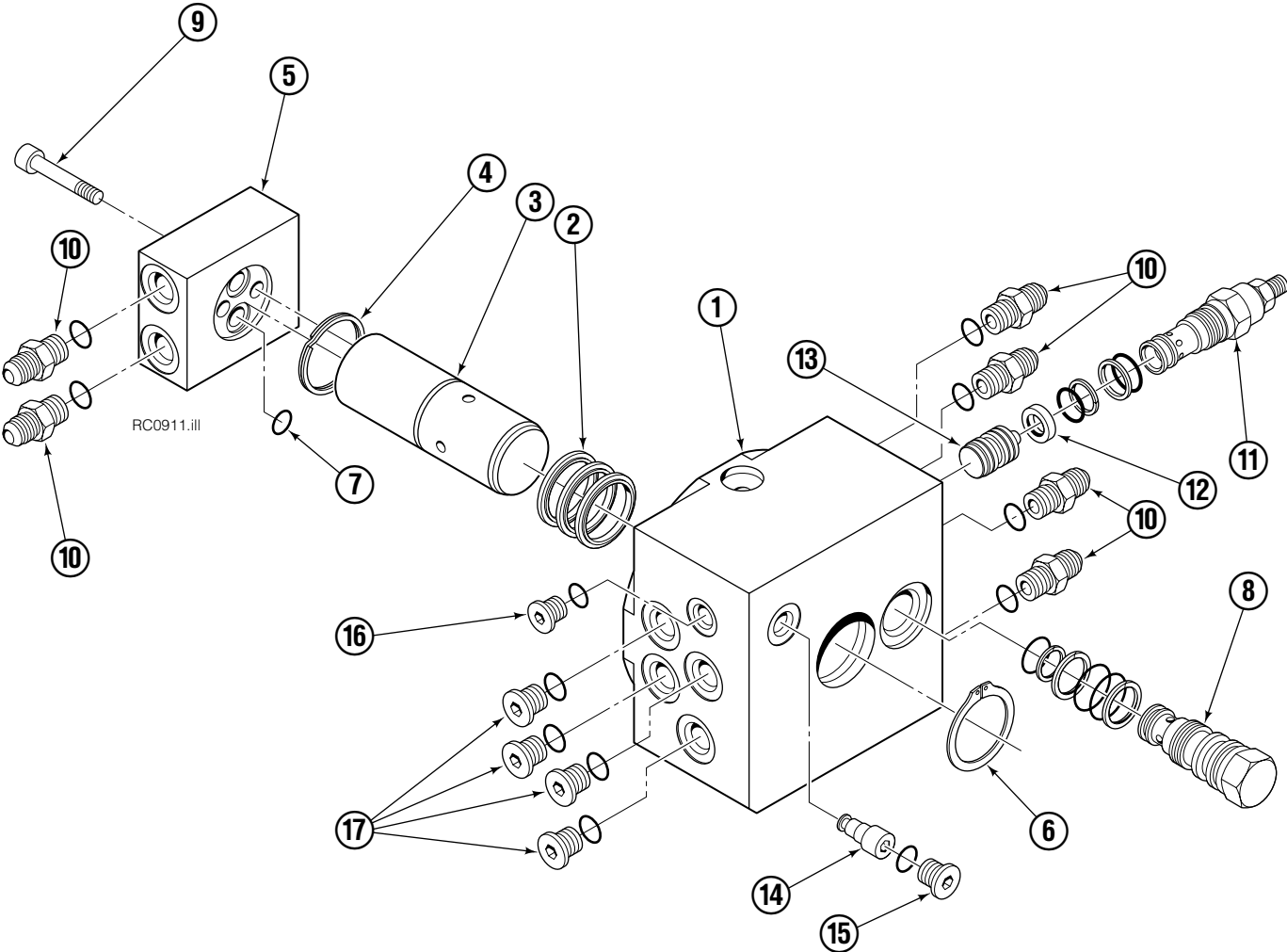
Hosing Group



45F			
REF	QTY	PART NO.	DESCRIPTION
		6006982	Hosing Group
1	4	680115	Hose, 43.75 in.
2	1	6006984	Revolving Connection ▲
3	2	673416	Segment
4	2	227962	Eye Pin
5	2	4751	Capscrew
6	2	680113	Insert

▲ See Revolving Connection page for parts breakdown.

Revolving Connection



45F/60F							
REF	QTY	PART NO.	DESCRIPTION	REF	QTY	PART NO.	DESCRIPTION
		6006984	Rev. Connection – Fixed Short Arm	9	2	768796	Capscrew, M8 x 35 ♦
1	1	227910	Body	10	6	604511	Fitting, 6-6
2	3	214649	Seal ♦	11	1	227331	Sequence Valve
3	1	227912	Shaft	12	1	227318	Quad Ring ♦
4	1	7341	Retaining Ring ♦	13	1	227320	Spool
5	1	222673	End Block	14	1	220865	Shuttle Check
6	1	3138	Retaining Ring ♦	15	1	609234	Fitting
7	2	564448	O-ring ♦	16	1	663694	Fitting
8	1	227330	Flow Divider Cartridge	17	4	604510	Fitting, 6

♦ Included in Seal Kit 227948.

Long Arm Cylinder

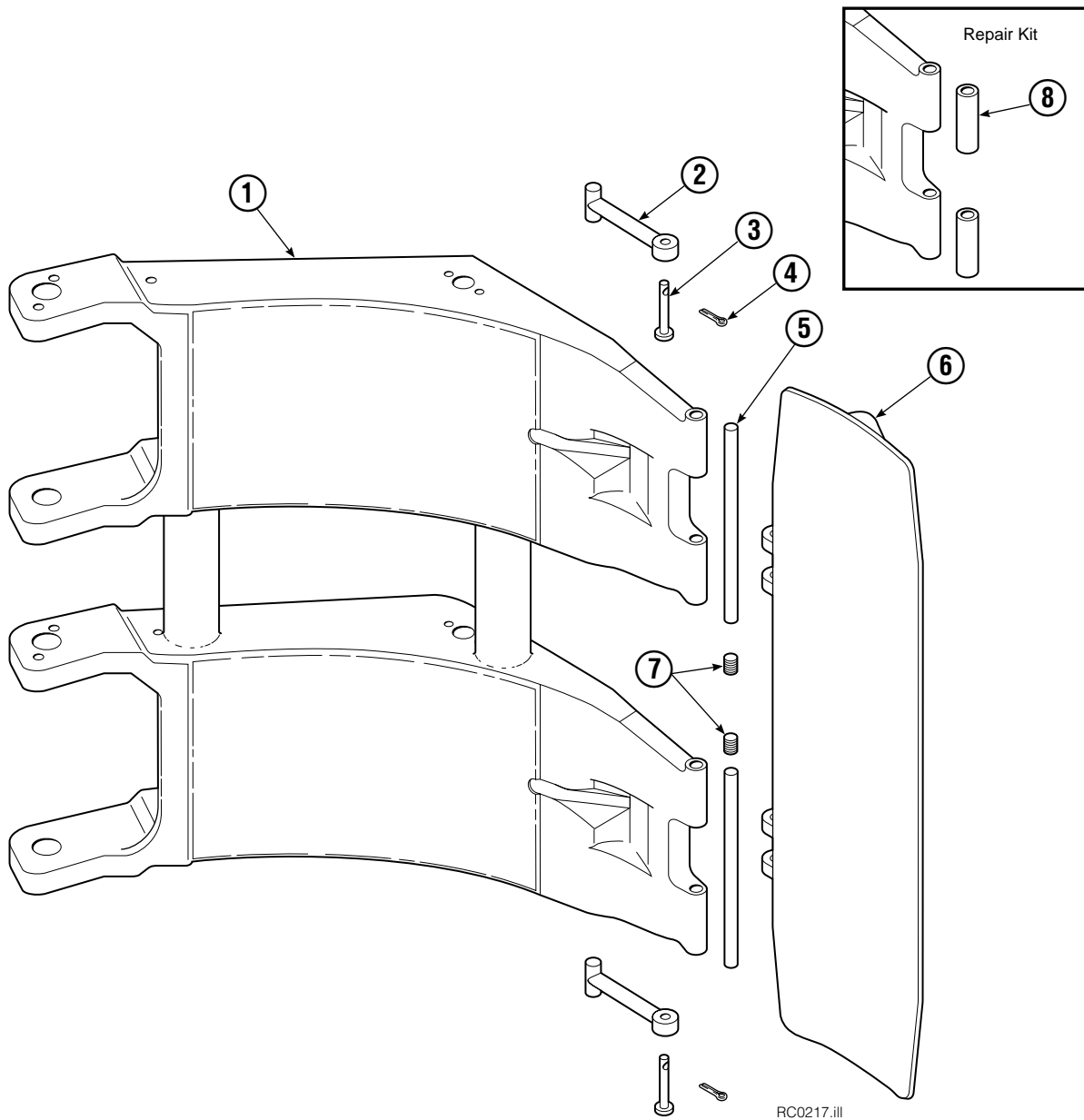


REF	QTY	PART NO.	DESCRIPTION
		555153	Cylinder Assembly
1	1	674840	Bearing
2	1	560997	Nut
3	1	660767	◆ Bearing
4	1	662460	◆ Seal
5	2	638293	◆ Back-Up Ring
6	2	604511	Fitting, 6-6
7	1	556852	Fitting, 4
8	1	557212	Check Valve
9	1	2797	◆ O-Ring
10	1	615140	◆ Back-Up Ring
11	1	554598	◆ Seal
12	1	564930	◆ Wiper
13	1	555220	Rod
14	1	555207	Retainer
15	1	555226	Piston
16	1	2722	◆ O-Ring
17	1	555219	Shell
18	1	667516	Check Valve Service Kit
19	1	-	Spacer
20	2	674840	Bearing
21	1	672909	Seal Loader
		555227	Service Kit

◆ Included in Service Kit 555227.

Ref: S-5305, S-5559

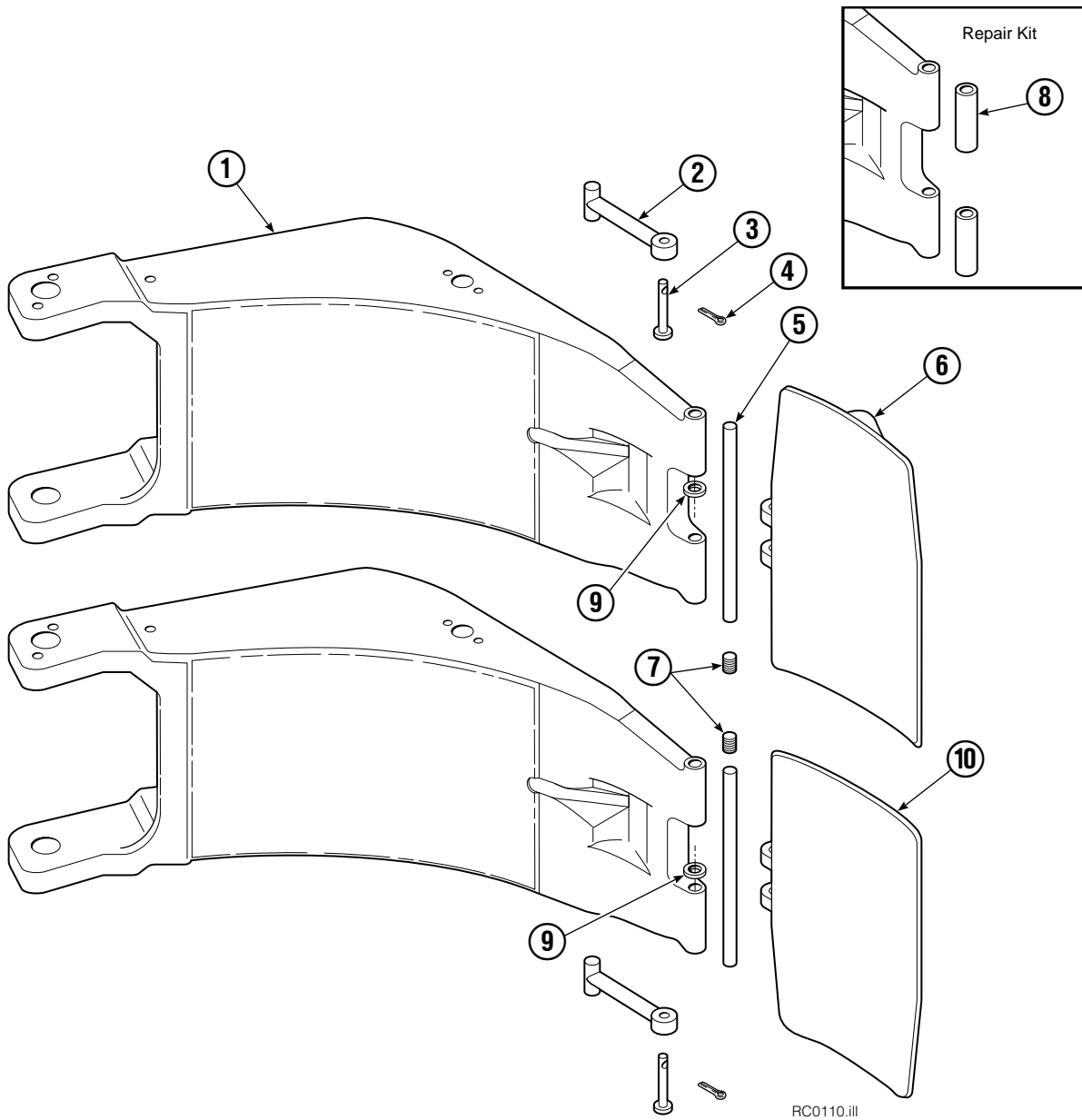
Short Arm



45F			
REF	QTY	PART NO.	DESCRIPTION
		674703	Contact Pad Group – Items 2-7
1	1	674705	Short Arm
2	2	674700	Link
3	2	674265	Clevis Pin
4	2	6525	Cotter Pin
5	2	674701	Pin
6	1	674702	Contact Pad
7	2	604510	Fitting
8	1	674928	Arm Tip Repair Kit

Reference: SK-4959

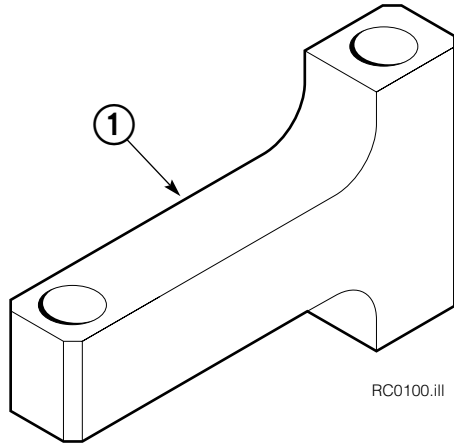
Long Arm



45F			
REF	QTY	PART NO.	DESCRIPTION
		363976	Long Arm Group
1	2	674816	Arm
2	2	674700	Link
3	2	674265	Clevis Pin
4	2	6525	Cotter Pin
5	2	674701	Pin
6	1	333027	Contact Pad
7	2	604510	Fitting
8	1	674928	Arm Tip Repair Kit
9	■	—	Washer
10	1	333044	Contact Pad

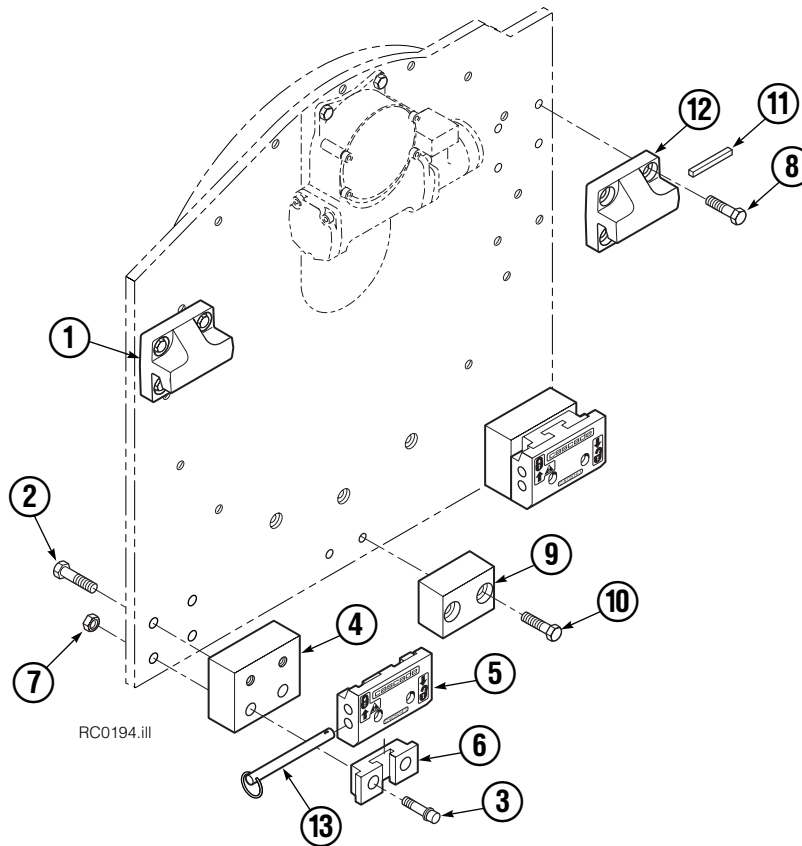
■ Quantity as required.
Reference: SK-4959.

Link



REF	QTY	PART NO.	DESCRIPTION
1	2	674851	Link – 45 in.

Quick Change Mounting Group



Class II, 0°

REF	QTY	PART NO.	DESCRIPTION
		680686	Mounting Group
1	1	670523	Upper Hook – LH
2	4	3709	Capscrew, 5/8 NC x 1.50
3	4	679827	Capscrew, 5/8 NC x 3.75
4	2	676037	Spacer
5	2	675514	Lower Hook
6	2	675515	Guide
7	4	676281	Nut, 5/8
8	8	667765	Capscrew, 5/8 NC x 1.50
9	1	680683	Center Spacer
10	2	677828	Capscrew, 1/2 NC x 1.00
11	1	669344	Stop Kit
12	1	670524	Upper Hook – RH
13	2	678832	Pin

Do you have questions you need answered right now? Call your nearest Cascade Parts Department.

Cascade Corporation
2501 Sheridan Avenue
Springfield, OH 45505
Tel: 888-CASCADE (227-2233)
FAX: 888-329-0234
www.cascorp.com

Cascade Canada Inc.
5570 Timberlea Blvd.
Mississauga, Ontario
Canada L4W-4M6
Tel: 905-629-7777
FAX: 905-629-7785

Cascade GmbH
D-41199 Monchengladbach
Klosterhofweg 52
Germany
Tel: 21-66-602091
FAX: 21-66-680947

Cascade Finland
01370 Vantas
Finland
Tel: 358-0-836-1925
FAX: 358-0-836-1935

**Cascade N.V.
European Headquarters**
P.O. Box 3009
1300 El Almere
Damsluisweg 56
1332 ED Almere
The Netherlands
Tel: 31-36-5492911
FAX: 31-36-5492964

**Cascade N.V.
Benelux Sales and Service**
P.O. Box 3009
1300 El Almere
Damsluisweg 56
1332 ED Almere
The Netherlands
Tel: 31-36-5492950
FAX: 31-36-5492974

Cascade (UK) Ltd.
15, Orgreave Crescent
Dore House Industrial Estate
Handsworth
Sheffield S13 9NQ
England
Tel: 742-697524
FAX: 742-695121

**Cascade Scandinavia
Hydraulik A.B.**
Muskötgatan 19, E8-9
S25466 Helsingborg
Sweden
Tel: 42-151135
FAX: 42-152997

Cascade Norway
Østerliveien 37A
1153 Oslo
Norway
Tel: 47-22-743160
FAX: 47-22-743157

Cascade France S.A.R.L.
11, Rue Jean Charcot
Zone Industrielle Sud or
B.P. 22
91421 Morangis Cedex
France
Tel: 1- 64547501
FAX: 1-9790584

Cascade Hispania S.A.
Avenida De La Fabregada, 7
Hospitalet De Llobregat
Barcelona
Spain
Tel: 3-335-5158
FAX: 3-335-4756

Cascade Japan Ltd.
5-5-41,
Torikai Kami
Settsu, Osaka
Japan, 566
Tel: 81-726-53-3490
FAX: 81-726-53-3497

Cascade Korea
Room 508, Pum Yang Bldg.
750-14, Bang Bac-Dong
Se-Cho Ku, Seoul
Korea
Tel: 2599-7131 ext. 512
FAX: 2533-8089

HYCO-Cascade Pty. Ltd.
1445 Ipswich Road
Rocklea,
Queensland 4107
Australia
Tel: 3-274-2722
FAX: 3-274-3456

HYCO-Cascade (NZ) Ltd.
15 Ra Ora Drive, East Tamaki
P.O. Box 38-440
Howick, Auckland
New Zealand
Tel: 9-273-9136
FAX: 9-273-9137

Cascade (Africa) Pty. Ltd.
P.O. Box 625, Isando 1600
60A Steel Road
Sparton, Kempton Park
South Africa
Tel: 975-9240
FAX: 394-1147

Cascade-Xiamen
Wanshan No. 1 Workshop
Huli Road
Xiamen 361006
Fujian, PRC
Tel: 592-562-4600
FAX: 592-562-4671

**Cascade (Singapore)
Trading Co.**
Four Seasons Park
Autumn Block - Apt. 1802
12 Cascaden Walk
Singapore
Tel: 65-834-1935
FAX: 65-834-1936

