



# Parts Manual

---

Model Integral Fork Positioner

Serial Number 150J-IFS-F100R0

---

**cascade**<sup>®</sup>  
**corporation**

**For Technical Assistance call:** 800-227-2233, Fax: 888-329-8207

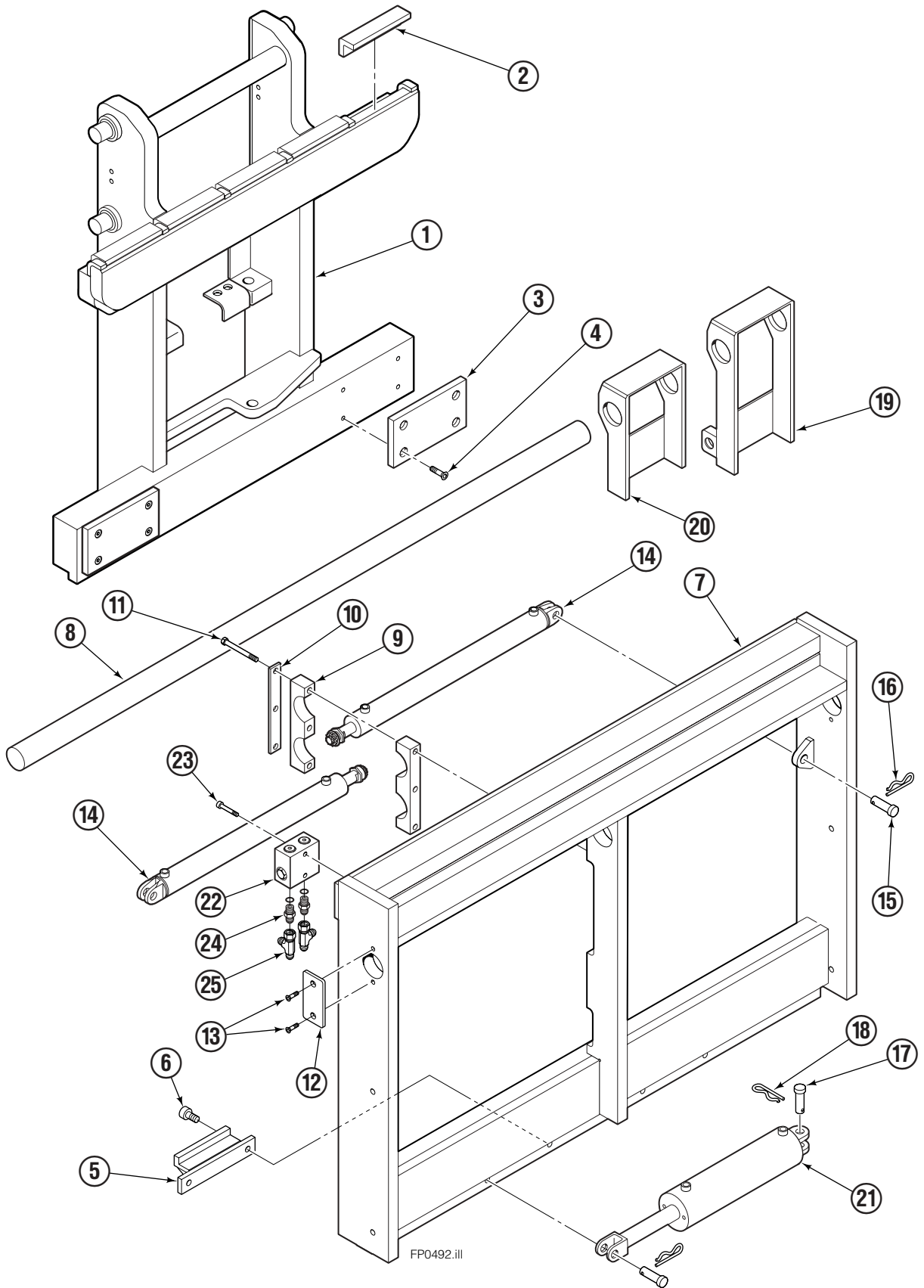
**To Order Parts call:** 888-227-2233, Fax: 888-329-0234

**OR**

**Write:** Cascade Corporation, P.O. Box 20187, Portland, OR 97220

**Internet:** [www.cascorp.com](http://www.cascorp.com)

# Carriage Assembly

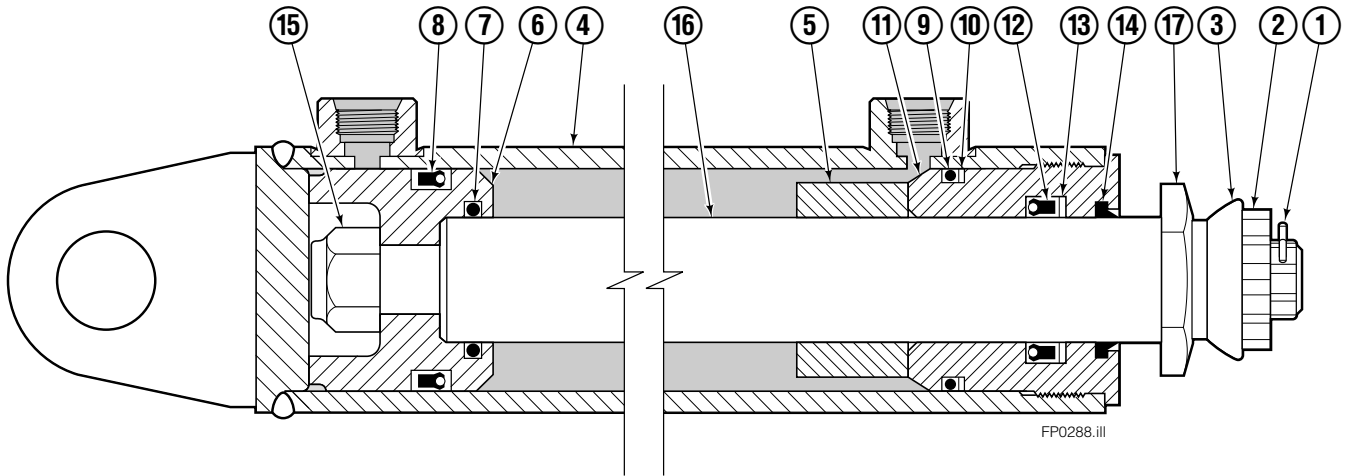


# Carriage Assembly

150J			
REF	QTY	PART NO.	DESCRIPTION
		6102799	Carriage Assembly
1	1	6101594	Carriage
2	5	3012106	Upper Bearing
3	2	3013187	Lower Bearing
4	8	766646	Capscrew, M10 x 20
5	2	6012723	▲ Lower Retainer
6	4	769575	▲ Capscrew, M16 x 40
7	1	6100629	Frame
8	2	6100899	Shaft
9	2	3014343	Cylinder Clamp
10	1	3014344	Clamp Support
11	3	684800	Capscrew, M12 x 100
12	2	3012749	Retainer
13	4	768706	Capscrew, M12 x 35
14	2	6100915	Cylinder ◆
15	2	678528	Clevis Pin
16	2	672726	Cotter Pin
17	2	686215	Clevis Pin
18	2	686217	Cotter Pin
19	1	6011934	Fork Carrier – LH
20	1	6011900	Fork Carrier – RH
21	1	6003547	Cylinder ◆
22	1	6104570	● Cross-Over Relief Valve
23	2	768798	● Capscrew, M8 x 45
24	2	626505	● Fitting, 6-6
25	2	611329	● Fitting, 6-6
26	1	6101269	Hydraulic Group ■
27	1	6101653	Component Group ■

- ◆ See Cylinder page for parts breakdown.
- ▲ Included in Frame Retainer Assembly 6012727.
- Included in Valve Group 6104569.
- See specific page for parts breakdown.

# Cylinder

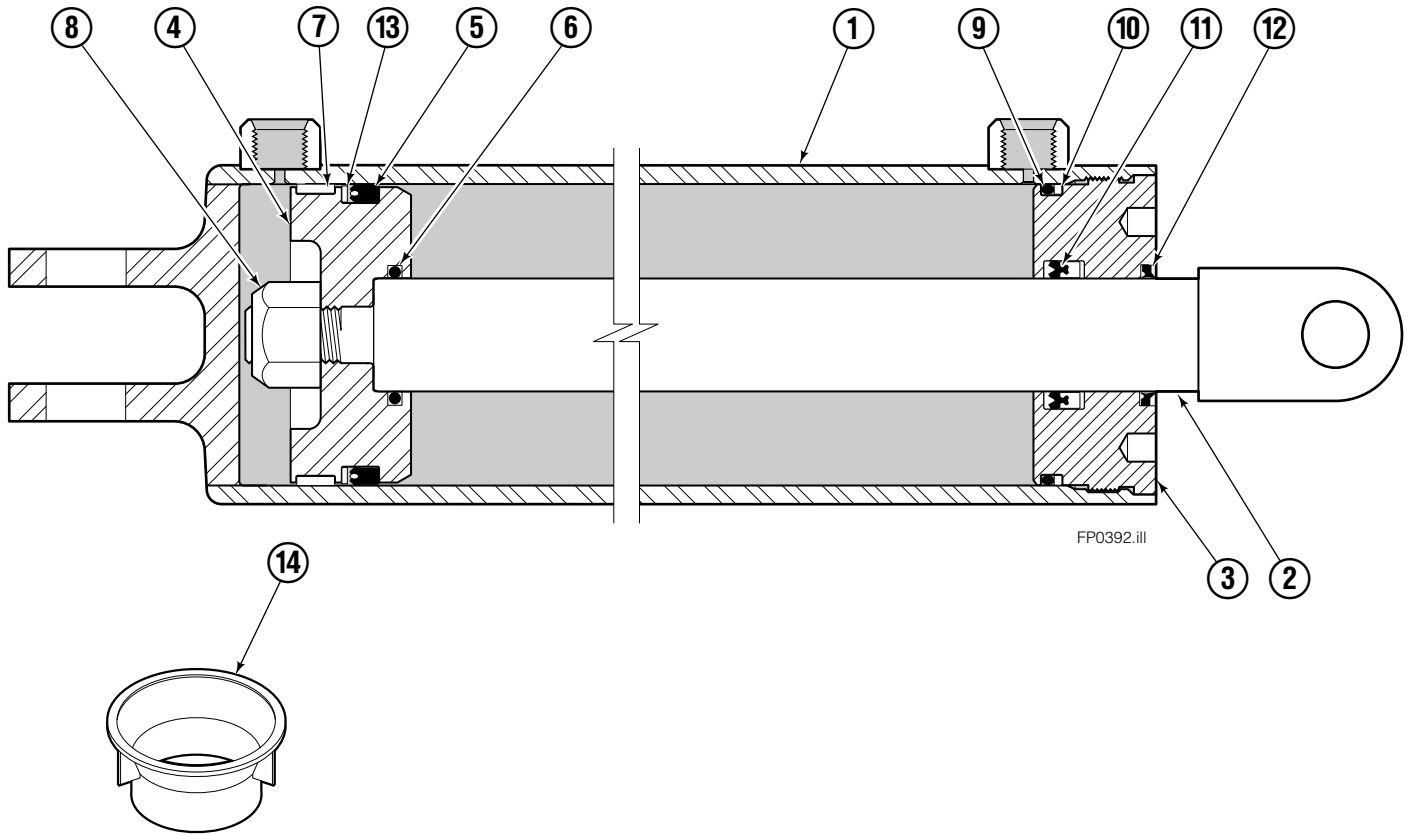


150J			
REF	QTY	PART NO.	DESCRIPTION
		6100915	Cylinder Assembly
1	2	6510	Cotter Pin
2	2	667624	Nut Retainer
3	2	667625	Nut
4	1	6100916	Shell
5	1	6011552	Spacer
6	1	558200	Piston
7	1	2716	▲ O-Ring
8	1	662452	▲ Seal
9	1	2785	▲ O-Ring
10	1	615128	▲ Back-Up Ring
11	1	563906	Retainer
12	1	662448	▲ Seal
13	1	638243	▲ Nylon Ring
14	1	636853	▲ Wiper
15	1	667623	Nut
16	1	6100917	Rod
17	1	667626	Washer
	1	671047	▲ Seal Loader, Piston
	1	671051	▲ Seal Loader, Retainer
		668021	Service Kit

▲ Included in Service Kit 668021.

Reference: S-20040, S-20101.

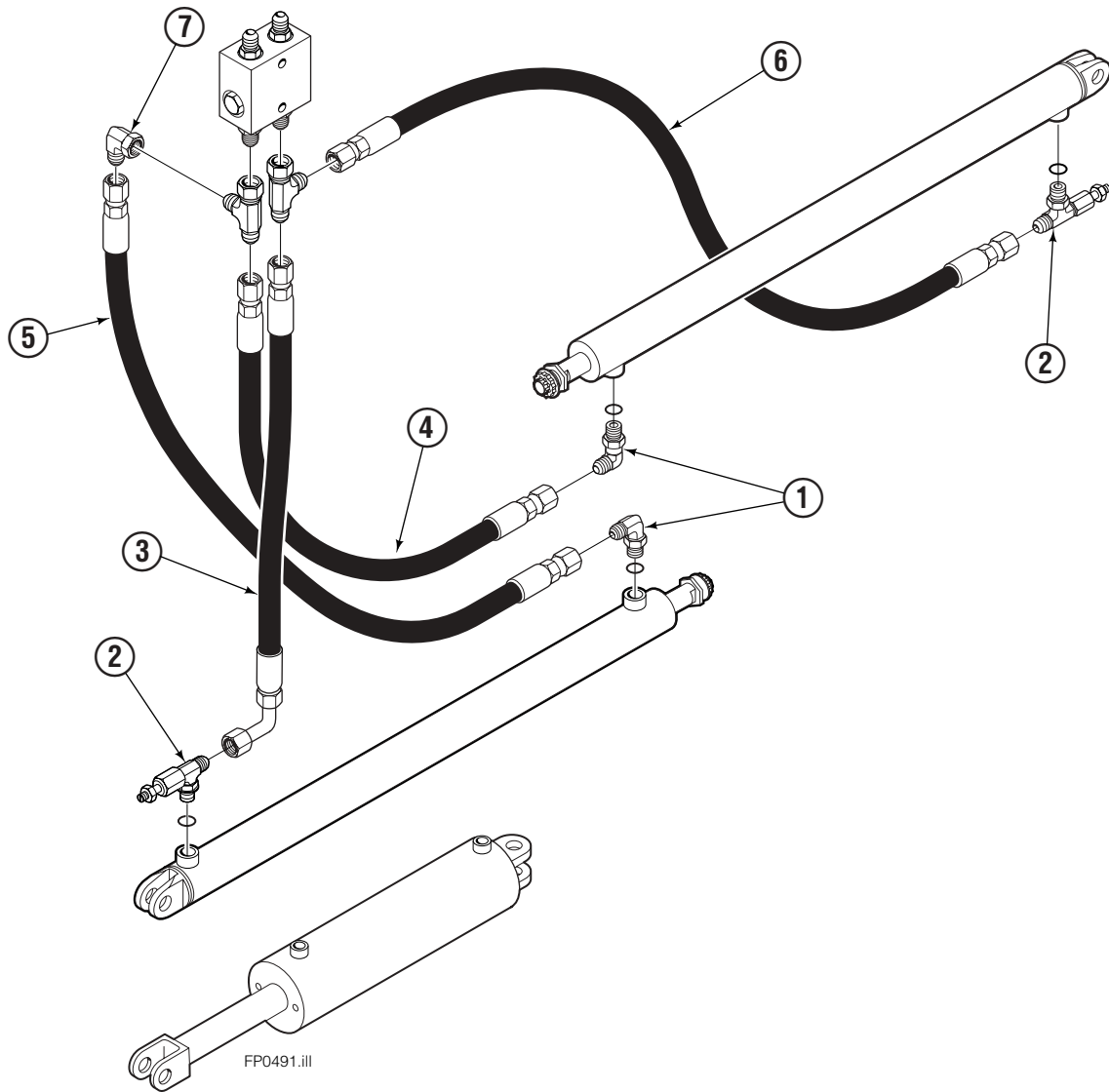
# Sideshift Cylinder



REF	QTY	PART NO.	DESCRIPTION
		6003547	Cylinder Assembly
1	1	6003548	Shell
2	1	6003549	Rod
3	1	555207	Retainer
4	1	555226	Piston
5	1	662460	◆ Seal
6	1	2722	◆ O-Ring
7	1	660767	◆ Bearing
8	1	560997	Nut
9	1	2797	◆ O-Ring
10	1	615140	◆ Back-Up Ring
11	1	554598	◆ Seal
12	1	564930	◆ Wiper
13	2	638293	◆ Back-Up Ring
14	1	672909	Seal Loader
		555227	Service Kit

◆ Included in Service Kit 555227.

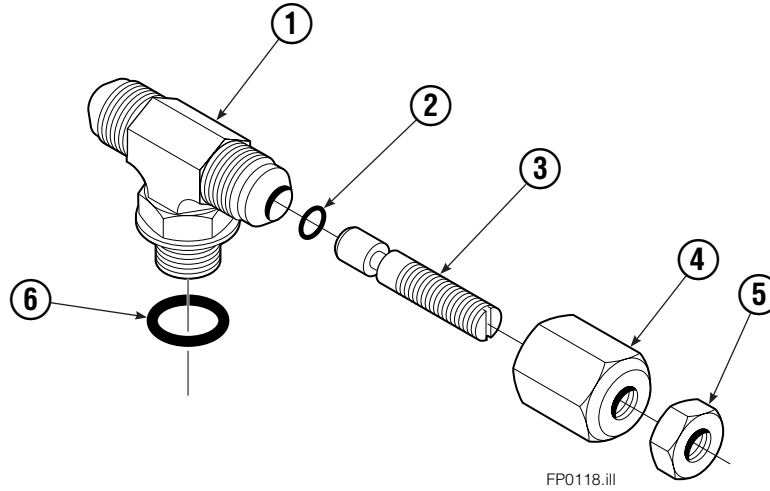
# Hydraulic Group



150J			
REF	QTY	PART NO.	DESCRIPTION
		6101269	Hydraulic Group
1	2	601676	Fitting, 6-6
2	2	617487	Restrictor Fitting ♦
3	1	6101233	Hose, 13.25 in.
4	1	380315	Hose, 31.0 in.
5	1	209524	Hose, 39.6 in.
6	1	—	Hose
7	2	2680	Fitting, 6-6

♦ See Restrictor Fitting page for parts breakdown.

# Restrictor Fitting



FP0118.ill

REF	QTY	PART NO.	DESCRIPTION
		617487	Restrictor Assembly
1	1	617486	Tee
2	1	2698	O-Ring
3	1	11100	Setscrew
4	1	11099	Cap
5	1	5715	Jam Nut
6	1	2840	O-Ring

IMF : -		6101653		R-0
HYSTER L346942: P/N QTY DESCRIPTION 1333648 6 LOAD ROLLER 126765 AR SHIM 187489 6 SNAP RING - EXT 1331992 2 CHAIN ANCHOR 1307395 2 PIN - CHAIN ANCHOR 15222 2 HCE-561 PIN .125 X .750 IN 343946 2 WASHER SET - SPHERICAL 293723 4 HCE-1017 NUT M24x3 366116 2 SPACER				
ASSEMBLY NOTE: LOCATE 366116 SPACER BETWEEN 187489 SNAP RING AND 1333648 LOAD ROLLER TOP 2 ROLLERS ONLY				
ECN: 1420568		DATE:1999/07/22		
A RELEASED		DRFTR: JWALLIS		APPR: -
		WELD APPR		
		-		
		WELD DATE		
		-		
		WT: - -		
		SHT 1 / -		
		6101653 R-0		

**CASCADE CORPORATION**

THIS DRAWING IS THE PROPERTY OF CASCADE AND  
CONTAINS CONFIDENTIAL INFORMATION. DO NOT  
REPRODUCE OR USE WITHOUT WRITTEN APPROVAL

COMPONENT GROUP

HYST 1318162/1313806

GEN-AAT

6101653 R-0

MATERIAL OPTIONS:  
LISTED

- 
- 
- 

SEE CASCADE ENG STANDARDS  
FOR DRAFTING CONVENTIONS  
CMC = CASCADE MATL. CODE  
CPS = CASCADE PROCESS STD.  
CWS = CASCADE WELD SPEC.

DISTRIBUTION

METRIC



**Do you have questions you need answered right now?** Call your nearest Cascade Parts Department. Visit us online at [www.cascorp.com](http://www.cascorp.com)

**Cascade Corporation**  
2501 Sheridan Avenue  
Springfield, OH 45505  
Tel: 888-CASCADE (227-2233)  
FAX: 888-329-0234

**Cascade Canada Inc.**  
5570 Timberlea Blvd.  
Mississauga, Ontario  
Canada L4W-4M6  
Tel: 905-629-7777  
FAX: 905-629-7785

**Cascade GmbH**  
D-41199 Monchengladbach  
Klosterhofweg 52  
Germany  
Tel: 49-216-668230  
FAX: 49-216-6682323

**Cascade Finland**  
Albert Petreliuksenkatu 3  
01370 Vantaa  
Finland  
Tel: 358-9-836-1925  
FAX: 358-9-836-1935

**Cascade N.V.  
European Headquarters**  
P.O. Box 3009  
1300 El Almere  
Damsluisweg 56  
1332 ED Almere  
The Netherlands  
Tel: 31-36-5492911  
FAX: 31-36-5492964

**Cascade N.V.  
Benelux Sales and Service**  
P.O. Box 3009  
1300 El Almere  
Damsluisweg 56  
1332 ED Almere  
The Netherlands  
Tel: 31-36-5492950  
FAX: 31-36-5492974

**Cascade (UK) Ltd.**  
15, Orgreave Crescent  
Dore House Industrial Estate  
Handsworth  
Sheffield S13 9NQ  
England  
Tel: 742-697524  
FAX: 742-695121

**Cascade Scandinavia AB**  
Box 124  
Hammarvägen 10  
567 23 Vaggeryd  
Sweden  
Tel: 42-0-393-36950  
FAX: 46-0-393-36959

**Cascade Norway**  
Østerliveien 37A  
1153 Oslo  
Norway  
Tel: 47-22-743160  
FAX: 47-22-743157

**Cascade France S.A.R.L.**  
1D Rue De Charaintru  
BP 18, 91360 Epinay-Sur-Orge  
Morangis Cedex, France  
Tel: 33-1- 64547500  
FAX: 33-1-64547501

**Cascade Hispania S.A.**  
Carrer 5 Sector C  
Zona Franca Duanera  
Poligono de la Zon Franca  
08040 Barcelona, Spain  
Office No. 256  
Tel: 93-264-07-30  
FAX: 93-264-07-31

**Cascade Japan Ltd.**  
5-5-41,  
Torikai Kami  
Settsu, Osaka  
Japan, 566  
Tel: 81-726-53-3490  
FAX: 81-726-53-3497

**Cascade Korea**  
108B, Namdong Ind Complex  
658-3 Gojan-Dong  
Namdong-Gu  
Inchon, 405-310 Korea  
Tel: 82-32-821-2051  
FAX: 82-32-821-2055

**Cascade Australia**  
1445 Ipswich Road  
Rocklea, QLD 4106  
Australia  
Tel: 1-800227-223  
FAX: (07) 3373-7333

**Cascade New Zealand**  
15 Ra Ora Drive  
East Tamaki, Auckland  
New Zealand  
Tel: 9-273-9136  
FAX: 9-273-9137

**Cascade (Africa) Pty. Ltd.**  
P.O. Box 625, Isando 1600  
60A Steel Road  
Sparton, Kempton Park  
South Africa  
Tel: 27-11-975-9240  
FAX: 27-11-394-1147

**Cascade-Xiamen**  
No. 668 Yangguang Rd.  
Xinyang Industrial Zone  
Haicang, Xiamen City  
Fujian Province  
P.R. China 361026  
Tel: 86-592-651-2500  
FAX: 86-592-651-2571

**Cascade (Singapore)  
Trading Co.**  
Four Seasons Park  
Autumn Block - Apt. 1802  
12 Cuscaden Walk  
Singapore  
Tel: 65-834-1935  
FAX: 65-834-1936

