



## Specifically designed for printers and newspaper publishers.

*A versatile,  
high-production  
roll clamp for  
newsprint and  
coated papers.*

### APPLICATIONS

Designed for small printers, newspaper publishers and newsprint warehouses.

### FEATURES

#### **Reduced Reel Damage**

- Very thin arm profile and smooth-arm contour eases roll breakout and permits close stacking
- Proven contact pad shape and surface holds reels securely
- Positioned Short Arm maintains thin-arm profile over a wide range of roll diameters

#### **Faster Reel Handling**

- Excellent visibility through and around clamp
- Handles less than full size rolls against the bumper for faster handling
- Continuous 360° rotation
- Frame size optimized for one or two roll handling

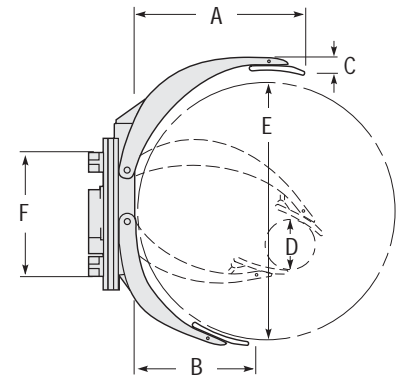
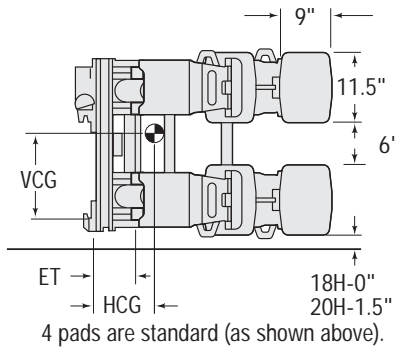
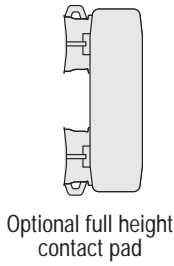
#### **Excellent Durability**

- Unitized construction provides structural integrity in arms and frame
- Proven durable rotator drive train
- Pivot bushings are lube-free and provide longer service life
- Large pivot pins for extended life

### OPTIONS

- Fixed Frame/Fixed Short Arm or Fixed Frame/Positioned Short Arm models available, see back page for all models.
- Split Long Arm—Recommended for improved stability when handling two individual rolls.
- AFC (Adaptive Force Control) for automatic control of clamping pressure that changes as reel weight changes.
- HFC (Hydraulic Force Control) a hydraulically controlled automatic clamp force system that changes clamp force proportional to the load weight.
- 180° mechanical stop group
- Electronic Rotational Control for precise 180° and 90° (bilge) positioning
- Wide variety of rubber, urethane and other pads available for improved handling of all paper types. Rubber or urethane pads are recommended for handling newsprint.

# 18H-20H PAPER ROLL CLAMP



Catalog Order No.	Capacity @ load center	Roll Range	Mounting Class	Mounting Angle Ⓢ	Hook Spread	Effective Thickness	Horizontal Center of Gravity	Vertical Center of Gravity	Weight	Long Arm Length	Short Arm Length	Long Arm Thickness	
	lbs @ in.												D - E
<b>Solid Long Arm - Positioned Short Arm</b>													
18H-RBP-A001	4,400 @ 45"	8" - 45"	II	0°	25"	6.3"	9.3"	11.7"	942	428	28.5"	20.9"	1.8"
18H-RBP-A003	4,000 @ 51"	8" - 51"	II	0°	25"	6.3"	10.1"	11.7"	1,006	457	32.2"	23.3"	1.8"
18H-RBP-A005	3,500 @ 55"	8" - 55"	II	0°	25"	6.3"	10.7"	11.7"	1,042	473	34.6"	24.8"	1.8"
20H-RBP-A003	4,400 @ 51"	8" - 51"	II	0°	32"	7.1"	10.1"	13.4"	1,163	528	32.2"	23.3"	1.8"
20H-RBP-A015	4,050 @ 55"	8" - 55"	II	0°	32"	7.1"	10.4"	13.4"	1,218	553	34.6"	24.8"	1.8"
20H-RBP-B001	4,950 @ 45"	8" - 45"	III	0°	32"	8.4"	9.9"	13.2"	1,174	533	28.5"	20.9"	1.8"
20H-RBP-B003	4,400 @ 51"	8" - 51"	III	0°	32"	8.4"	11.1"	13.2"	1,189	540	32.2"	23.3"	1.8"
20H-RBP-B005	4,050 @ 55"	8" - 55"	III	0°	32"	8.4"	11.4"	13.2"	1,238	562	34.6"	24.8"	1.8"
20H-RBP-B007	3,750 @ 60"	8" - 60"	III	0°	32"	8.4"	11.8"	13.2"	1,270	576	36.2"	26.4"	1.8"
<b>Solid Long Arm - Fixed Short Arm</b>													
18H-RBF-A001	4,400 @ 45"	20" - 45"	II	0°	25"	6.3"	9.4"	11.7"	929	422	28.5"	20.9"	1.8"
18H-RBF-A003	4,000 @ 51"	20" - 51"	II	0°	25"	6.3"	10.2"	11.7"	993	451	32.2"	23.3"	1.8"
18H-RBF-A005	3,500 @ 55"	20" - 55"	II	0°	25"	6.3"	10.8"	11.7"	1,028	467	34.6"	24.8"	1.8"
20H-RBF-A003	4,400 @ 51"	20" - 51"	II	0°	32"	7.1"	10.1"	13.4"	1,149	522	32.2"	23.3"	1.8"
20H-RBF-A005	4,050 @ 55"	20" - 55"	II	0°	32"	7.1"	10.4"	13.4"	1,209	549	34.6"	24.8"	1.8"
20H-RBF-B001	4,950 @ 45"	20" - 45"	III	0°	32"	8.4"	9.9"	13.2"	1,158	526	28.5"	20.9"	1.8"
20H-RBF-B003	4,400 @ 51"	20" - 51"	III	0°	32"	8.4"	11.1"	13.2"	1,174	533	32.2"	23.3"	1.8"
20H-RBF-B005	4,050 @ 55"	20" - 55"	III	0°	32"	8.4"	11.4"	13.2"	1,229	558	34.6"	24.8"	1.8"
20H-RBF-B007	3,750 @ 60"	20" - 60"	III	0°	32"	8.4"	11.8"	13.2"	1,260	571	36.2"	26.4"	1.8"
<b>Split Long Arm - Positioned Short Arm</b>													
18H-REP-A001	4,400 @ 45"	8" - 45"	II	0°	25"	6.3"	9.2"	11.7"	927	421	28.5"	20.9"	1.8"
18H-REP-A003	4,000 @ 51"	8" - 51"	II	0°	25"	6.3"	10.0"	11.7"	991	450	32.2"	23.3"	1.8"
18H-REP-A005	3,500 @ 55"	8" - 55"	II	0°	25"	6.3"	10.6"	11.7"	1,026	466	34.6"	24.8"	1.8"
20H-REP-A003	4,400 @ 51"	8" - 51"	II	0°	32"	7.1"	10.1"	13.4"	1,149	522	32.2"	23.3"	1.8"
20H-REP-A005	4,050 @ 55"	8" - 55"	II	0°	32"	7.1"	10.4"	13.4"	1,204	547	34.6"	24.8"	1.8"
20H-REP-B001	4,950 @ 45"	8" - 45"	III	0°	32"	8.4"	9.9"	13.2"	1,158	526	28.5"	20.9"	1.8"
20H-REP-B003	4,400 @ 51"	8" - 51"	III	0°	32"	8.4"	11.1"	13.2"	1,174	533	32.2"	23.3"	1.8"
20H-REP-B005	4,050 @ 55"	8" - 55"	III	0°	32"	8.4"	11.4"	13.2"	1,224	556	34.6"	24.8"	1.8"
20H-REP-B007	3,750 @ 60"	8" - 60"	III	0°	32"	8.4"	11.8"	13.2"	1,256	570	36.2"	26.4"	1.8"
<b>Split Long Arm - Fixed Short Arm</b>													
18H-REF-A001	4,400 @ 45"	20" - 45"	II	0°	25"	6.3"	9.3"	11.7"	914	415	28.5"	20.9"	1.8"
18H-REF-A003	4,000 @ 51"	20" - 51"	II	0°	25"	6.3"	10.1"	11.7"	978	444	32.2"	23.3"	1.8"
18H-REF-A005	3,500 @ 55"	20" - 55"	II	0°	25"	6.3"	10.7"	11.7"	1,013	460	34.6"	24.8"	1.8"
20H-REF-A003	4,400 @ 51"	20" - 51"	II	0°	32"	7.1"	10.1"	13.4"	1,134	515	32.2"	23.3"	1.8"
20H-REF-A005	4,050 @ 55"	20" - 55"	II	0°	32"	7.1"	10.4"	13.4"	1,193	542	34.6"	24.8"	1.8"
20H-REF-B001	4,950 @ 45"	20" - 45"	III	0°	32"	8.4"	9.9"	13.2"	1,143	519	28.5"	20.9"	1.8"
20H-REF-B003	4,400 @ 51"	20" - 51"	III	0°	32"	8.4"	11.1"	13.2"	1,158	526	32.2"	23.3"	1.8"
20H-REF-B005	4,050 @ 55"	20" - 55"	III	0°	32"	8.4"	11.4"	13.2"	1,213	551	34.6"	24.8"	1.8"
20H-REF-B007	3,750 @ 60"	20" - 60"	III	0°	32"	8.4"	11.8"	13.2"	1,246	565	36.2"	26.4"	1.8"

- ① 2' mounting available. Consult Cascade.
- ▶ Model shown is with Herringbone contact pads. The complete range of pads are available upon request.
- ▶ All models come standard with 360° rotation. 180° Stop Group available.

## ROTATOR SPECIFICATIONS

Model	Speed/RPM	Max. Flow	Torque (in. lbs. @2300 psi)
18H	7.0	10 gpm	40,000
20H	7.0	15 gpm	63,000

## HYDRAULIC FUNCTIONS

Model	Hydraulic Functions	Truck Auxiliary Valves Required
Fixed & Positioned short arm	2	2

## HYDRAULIC FLOW & PRESSURE (GPM)

Model	Minimum Flow	Recommended Flow	Maximum Flow	Maximum Pressure
18H	5	8.5	12	2300 psi
20H	5	10	15	2300 psi

Cascade Corporation • PO Box 20187 • Portland, OR 97294-0187 • USA • 800 CASCADE (227.2233) • Tel 503.669.6257 • Fax 800.693.3768 • Fax 503.669.6367  
 Cascade Canada Ltd. • 5570 Timberlea Blvd. • Mississauga, Ontario L4W 4M6 • Canada • 800.380.2272 • Tel 905.629.7777 • Fax 905.629.7785

