



The standard for the large roll industry.

APPLICATIONS

The 120F and 150F Paper Roll Clamps are designed for operations that handle large, heavy rolls such as kraft, linerboard and SC/LWC rolls. They are application rated and field proven for demanding operations. Available load capacities range from 12,000 to 15,000 lbs. depending on the model, with roll diameters ranging from 51" to 84". Larger diameters available on a custom basis.

FEATURES

Reduced Roll Damage

- Proven contact pad shape and surface holds rolls securely
- Positioned Short Arm and Swing Frame models maintain thin arm profile over a wide range of roll diameters, easing roll breakout and permitting close stacking

Fast Roll Handling

- Good visibility through and around clamp
- Continuous 360° rotation

Excellent Durability

- Unitized construction provides structural integrity in arms and frame
- Proven, heavy-duty rotator drive train
- Pivot bushings are lube-free and provide longer service life

MODELS

Fixed Frame/Fixed Short Arm

- Excellent arm profile when handling rolls near max. diameter.

Fixed Frame/Positioned Short Arm

- Good arm profile over a wide range of roll diameters.

Swing Frame/Positioned Short Arm

- Improves handling in tight stacking locations such as boxcar breakout, allows easy lateral positioning
- Arms can be positioned to equal length configuration

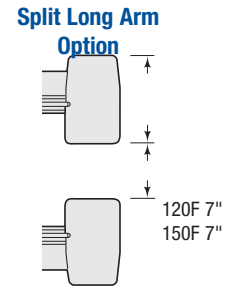
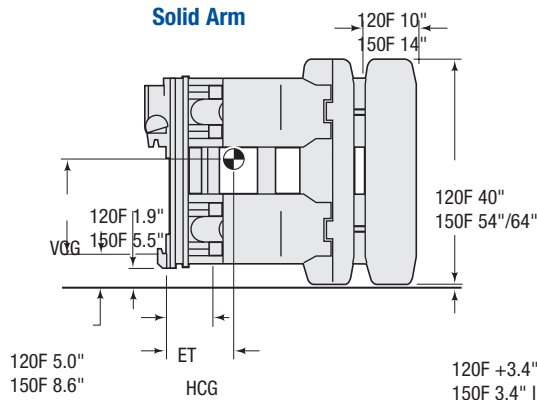
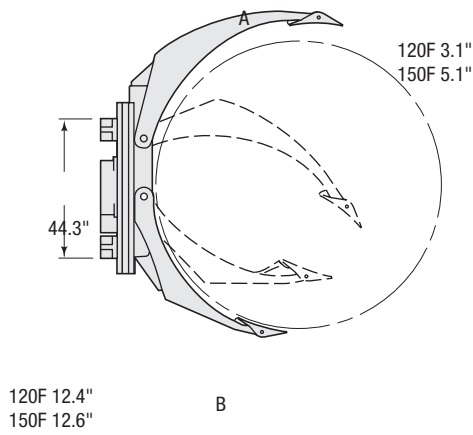
Split Arm

- The two long arm sections move independently, allowing you to handle two different size rolls simultaneously.



*A versatile, high
production roll
clamp for heavy,
large rolls.*

120F & 150F PAPER ROLL CLAMPS



120F +3.4" gap with 40" pads
 150F 3.4" lost lift with 54" pads
 150F 8.6" lost lift with 64" pads

Capacity @ Diameter		Roll Range	Short Arm Type	Catalog Order No.	Mtg. Class	Mtg. Angle ①	Weight		Effective Thickness ET	Horizontal Ctr. of Gravity HCG	Vertical Ctr. of Gravity VCG	Long Arm Length A	Short Arm Length B	Pad Height	Lost Lift
lbs @ inches	kg. @ mm						lbs	kg							
Model 120F															
14,000 @ 51"	6,355 @ 1,295	10"-51"	Posit.	120F-RCP-07C ②	IV	2°	3,280	1,489	9.9"	10.0"	18.5"	35.5"	22.5"	40"	3.4"
12,000 @ 60"	5,450 @ 1,525	10"-60"	Posit.	120F-RCP-01C ②	IV	2°	3,460	1,571	9.9"	10.8"	18.5"	37.8"	26.7"	40"	3.4"
10,000 @ 72"	4,540 @ 1,830	27"-72"	Posit.	120F-RCP-03C ②	IV	2°	3,750	1,703	9.9"	11.9"	18.5"	43.8"	32.2"	40"	3.4"
8,500 @ 84"	3,860 @ 2,135	35"-84"	Posit.	120F-RCP-05C	IV	2°	4,030	1,830	9.9"	12.9"	18.5"	49.8"	37.2"	40"	3.4"
14,000 @ 51"	6,355 @ 1,295	10"-51"	Swing	120F-RCS-27C	IV	2°	3,810	1,732	11.0"	10.0"	18.5"	35.8"	22.6"	40"	3.4"
12,000 @ 60"	5,450 @ 1,525	10"-60"	Frame	120F-RCS-21C	IV	2°	3,990	1,814	11.0"	10.9"	18.5"	37.9"	26.7"	40"	3.4"
10,000 @ 72"	4,540 @ 1,830	15"-72"	Posit.	120F-RCS-23C	IV	2°	4,290	1,950	11.0"	13.1"	18.5"	45.5"	31.4"	40"	3.4"
8,500 @ 84"	3,860 @ 2,135	22"-84"	Short Arm	120F-RCS-25C	IV	2°	4,570	2,077	11.0"	14.1"	18.5"	51.5"	37.5"	40"	3.4"
Model 150F															
17,600 @ 51"	7,990 @ 1,295	21"-51"	Posit.	150F-RCP-07C	V	2°	3,835	1,725	10.1"	10.1"	20.5"	38.8"	23.3"	64"	8.6"
15,000 @ 60"	6,810 @ 1,525	20"-60"	Posit.	150F-RCP-01C	V	2°	4,015	1,807	10.1"	10.9"	20.5"	41.1"	27.5"	64"	8.6"
12,500 @ 72"	5,675 @ 1,830	30"-72"	Posit.	150F-RCP-03C	V	2°	4,165	1,873	10.1"	11.3"	20.5"	47.1"	33.0"	54"	3.6"
10,700 @ 84"	4,860 @ 2,135	38"-84"	Posit.	150F-RCP-05C	V	2°	4,490	2,020	10.1"	12.5"	20.5"	53.1"	38.0"	54"	3.6"

- ① 2° mounting provides reduced effective thickness (Lost Load) and ease in handling horizontal (bilge) rolls. 0° mounting must be used when stacking above 300".
- ② Requires 2,300 PSI operating pressure at maximum capacity.
- ③ Pin available, consult Cascade for more information.
- ▶ Cascade Cast Pad is standard unless otherwise noted.
- ▶ Split Arm available. Consult Cascade for specifications.

HYDRAULIC FLOW & PRESSURE

Model	Minimum Pressure (psi)	Maximum Pressure (psi/bar)	Number of Functions	Rotate Min-Rec-Max Function 1 (gpm)	Clamp Min-Rec-Max Function 2 (gpm)	Swing Min-Rec-Max Function 3 (gpm)
120F	500	2,300/159	2	10 15 15	10 15 20	1 2 3
150F	500	2,300/159	2	15 20 25	15 20 25	1 2 3

ROTATOR SPECIFICATIONS

120F, 130F PRC

Category	Rotator Speed	Rotator Torque
Std. Motors 2.8 in3, DLDD	3.6 RPM @ 20 GPM	147,000 Inch-Lbs. @ 2300 PSI/159 bar
High Speed Motors 2.2 in3, DDLD w/brake	4.6 RPM @ 20 GPM	114,000 Inch-Lbs. @ 2300 PSI/159 bar
High Torque Motors 2.8 in3, SLDD	2.8 RPM @ 20 GPM	237,000 Inch-Lbs. @ 2300 PSI/159 bar

150F PRC

Category	Rotator Speed	Rotator Torque
Std. Motors 2.8 in3, DLDD	4.3 RPM @ 24 GPM	147,000 Inch-Lbs. @ 2300 PSI/159 bar
High Speed Motors 2.2 in3, DDLD w/brake	5.5 RPM @ 24 GPM	114,000 Inch-Lbs. @ 2300 PSI/159 bar
High Torque Motors 2.8 in3, SLDD	3.3 RPM @ 24 GPM	237,000 Inch-Lbs. @ 2300 PSI/159 bar

▶ Optional motors providing faster rotation are available. Reduced torque will result.

INSTALLATION KIT

Model	Hose Size	Catalog Order No.
Fixed Frame	#6	675158
Fixed Frame	#6 & #8⑤	396189

- ⑤ Recommended to maintain maximum flow to rotator motor.