



The fork positioner for warehousing and distribution material handling requirements.

APPLICATIONS

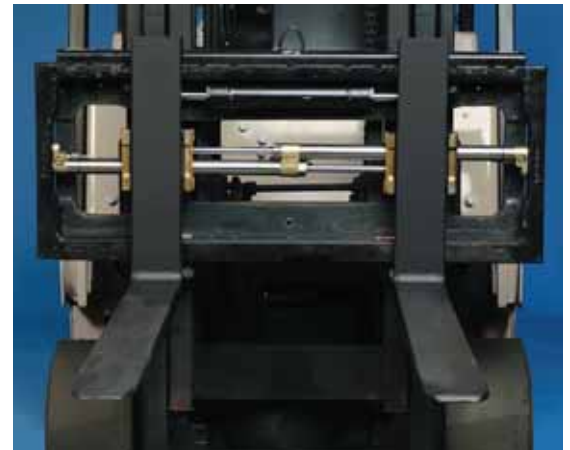
The 55K sideshifting fork positioner is recommended for distribution, warehousing and manufacturing operations. This high visibility fork positioner allows the operator to accurately position the forks from the driver's seat for handling a variety of pallet configurations.

FEATURES

- OEM load backrest compatibility
- Excellent operator visibility
- No-weld installation
- Zinc plated, corrosion resistant components
- Center mount, 4 inch wide fork carriers

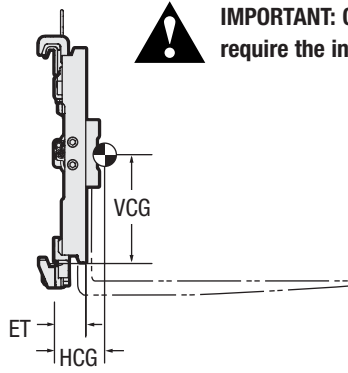
OPTIONS

- Combination 4- and 5-inch-wide fork carriers
- Bolt-on pallet protector/cylinder guard combinations
- OEM compatible load backrests
- Bronze bearings
- Bronze lower hooks
- Radio Frequency Hydraulic Control

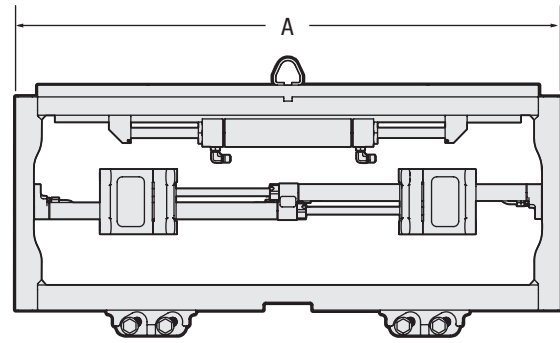


A refined fork positioner designed to increase productivity, improve safety and decrease product damage.

55K FORK POSITIONER



IMPORTANT: OSHA or state regulations may require the installation of backrests.



Capacity @ 24" (600 mm) Load Center		Overall Width A	Opening Range ITO	Fork Pocket Width	Catalog Order No.	Mtg. Class	Min. Truck Carriage Width	Weight		Effective Thickness ET	Horizontal Ctr. of Gravity HCG	Vertical Ctr. of Gravity VCG
lbs	kg							lbs	kg			
Cascade												
5,500	2,495	31.0"	2.0"-26.1"	4"	55K-FPS-A056	II	28.9"	123	56	2.3"	1.2"	9.0"
5,500	2,495	37.0"	2.0"-32.1"	4"	55K-FPS-A051	II	35.2"	136	62	2.3"	1.2"	8.9"
5,500	2,495	41.0"	2.0"-36.1"	4"	55K-FPS-A052	II	35.2"	145	66	2.3"	1.2"	8.9"
Caterpillar												
5,500	2,495	32.3"	2.0"-27.4"	4"	55K-FPS-A224	II	28.9"	126	57	2.3"	1.2"	9.0"
5,500	2,495	36.2"	2.0"-31.3"	4"	55K-FPS-A222	II	30.9"	133	61	2.3"	1.2"	8.9"
5,500	2,495	39.4"	2.0"-34.4"	4"	55K-FPS-A223	II	35.2"	142	64	2.3"	1.2"	8.9"
Clark												
5,500	2,495	31.0"	2.0"-26.1"	4"	55K-FPS-A056	II	28.9"	123	56	2.3"	1.2"	9.0"
5,500	2,495	37.0"	2.0"-32.1"	4"	55K-FPS-A051	II	35.2"	136	62	2.3"	1.2"	8.9"
5,500	2,495	41.0"	2.0"-36.1"	4"	55K-FPS-A052	II	35.2"	145	66	2.3"	1.2"	8.9"
Crown												
5,500	2,495	34.5"	2.0"-29.6"	4"	55K-FPS-A062	II	30.9"	131	59	2.3"	1.2"	9.0"
5,500	2,495	38.0"	2.0"-33.1"	4"	55K-FPS-A063	II	35.2"	138	63	2.3"	1.2"	8.9"
Hyster												
5,500	2,495	35.7"	2.0"-30.8"	4"	55K-FPS-A045	II	35.2"	133	61	2.3"	1.2"	8.9"
5,500	2,495	36.0"	2.0"-31.1"	4"	55K-FPS-A001	II	35.2"	134	61	2.3"	1.2"	8.9"
5,500	2,495	38.5"	2.0"-33.5"	4"	55K-FPS-A030	II	35.2"	140	64	2.3"	1.2"	8.9"
5,500	2,495	42.0"	2.0"-37.1"	4"	55K-FPS-A009	II	38.4"	147	67	2.3"	1.2"	8.9"
Kalmar												
5,500	2,495	31.0"	2.0"-26.1"	4"	55K-FPS-A056	II	28.9"	123	56	2.3"	1.2"	9.0"
5,500	2,495	37.0"	2.0"-32.1"	4"	55K-FPS-A051	II	35.2"	136	62	2.3"	1.2"	8.9"
5,500	2,495	41.0"	2.0"-36.1"	4"	55K-FPS-A052	II	35.2"	145	66	2.3"	1.2"	8.9"
Komatsu												
5,500	2,495	31.0"	2.0"-26.1"	4"	55K-FPS-A056	II	28.9"	123	56	2.3"	1.2"	9.0"
5,500	2,495	37.0"	2.0"-32.1"	4"	55K-FPS-A051	II	35.2"	136	62	2.3"	1.2"	8.9"
5,500	2,495	41.0"	2.0"-36.1"	4"	55K-FPS-A052	II	35.2"	145	66	2.3"	1.2"	8.9"

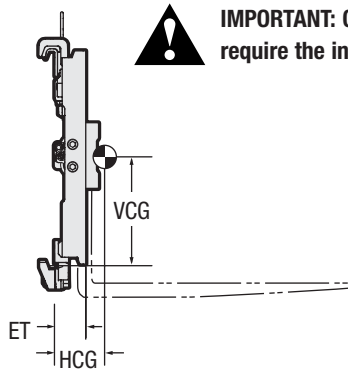
- ▶ Forks are not included with attachment.
- ▶ 8" total sideshift.
- ▶ **60" fork maximum length.**
- ▶ 55K drilled and tapped to accept current OEM truck model load backrest.
- ▶ Fork positioner function can be actuated with Radio Frequency Hydraulic Control Option. Consult Cascade for product introduction and pricing.

INSTALLATION KIT

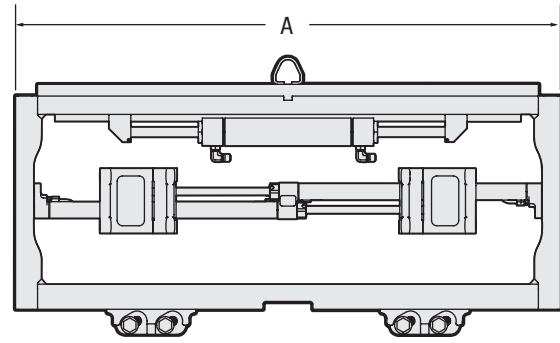
Catalog
Order No.
6053309

NOTE

For frame widths wider than 47", refer to the Cascade 55H fork positioner.



IMPORTANT: OSHA or state regulations may require the installation of backrests.



Capacity @ 24" (600 mm) Load Center		Overall Width A	Opening Range ITO	Fork Pocket Width	Catalog Order No.	Mfg. Class	Min. Truck Carriage Width	Weight		Effective Thickness ET	Horizontal Ctr. of Gravity HCG	Vertical Ctr. of Gravity VCG
lbs	kg							lbs	kg			
Linde												
5,500	2,495	40.9"	2.0"-36.0"	4"	55K-FPS-A196	II	35.2"	144	66	2.3"	1.2"	8.9"
5,500	2,495	45.3"	2.0"-40.4"	4"	55K-FPS-A199	II	40.9"	155	70	2.3"	1.2"	8.9"
Mitsubishi												
5,500	2,495	32.3"	2.0"-27.4"	4"	55K-FPS-A224	II	28.9"	126	57	2.3"	1.2"	9.0"
5,500	2,495	36.2"	2.0"-31.3"	4"	55K-FPS-A222	II	30.9"	133	61	2.3"	1.2"	8.9"
5,500	2,495	39.4"	2.0"-34.4"	4"	55K-FPS-A223	II	35.2"	142	64	2.3"	1.2"	8.9"
Nissan												
5,500	2,495	32.4"	2.0"-27.5"	4"	55K-FPS-A470	II	28.9"	126	57	2.3"	1.2"	9.0"
5,500	2,495	36.2"	2.0"-31.3"	4"	55K-FPS-A469	II	35.2"	134	61	2.3"	1.2"	8.9"
5,500	2,495	40.2"	2.0"-35.2"	4"	55K-FPS-A471	II	35.2"	143	65	2.3"	1.2"	8.9"
Raymond												
5,500	2,495	37.0"	2.0"-32.1"	4"	55K-FPS-A160	II	35.2"	136	62	2.3"	1.2"	8.9"
TCM												
5,500	2,495	38.1"	2.0"-33.2"	4"	55K-FPS-A084	II	35.2"	139	63	2.3"	1.2"	8.9"
5,500	2,495	40.9"	2.0"-35.9"	4"	55K-FPS-A081	II	35.2"	145	66	2.3"	1.2"	8.9"
Toyota												
5,500	2,495	31.9"	2.0"-27.0"	4"	55K-FPS-A011	II	28.9"	125	57	2.3"	1.2"	9.0"
5,500	2,495	36.2"	2.0"-31.3"	4"	55K-FPS-A087	II	30.9"	133	61	2.3"	1.2"	8.9"
5,500	2,495	40.2"	2.0"-35.2"	4"	55K-FPS-A086	II	35.2"	143	65	2.3"	1.2"	8.9"
Yale												
5,500	2,495	35.7"	2.0"-30.8"	4"	55K-FPS-A045	II	35.2"	133	61	2.3"	1.2"	8.9"
5,500	2,495	38.5"	2.0"-33.5"	4"	55K-FPS-A030	II	35.2"	140	64	2.3"	1.2"	8.9"
5,500	2,495	39.1"	2.0"-34.1"	4"	55K-FPS-A041	II	35.2"	141	64	2.3"	1.2"	8.9"
5,500	2,495	42.0"	2.0"-37.1"	4"	55K-FPS-A009	II	38.4"	147	67	2.3"	1.2"	8.9"

- ▶ Forks are not included with attachment.
- ▶ 8" total sideshift.
- ▶ **60" fork maximum length.** For longer forks, contact Cascade.
- ▶ 55K drilled and tapped to accept current OEM truck model load backrest.
- ▶ Fork positioner function can be actuated with Radio Frequency Hydraulic Control Option. Consult Cascade for product introduction and pricing.
- ▶ Consult Cascade for cylinder guard option.

INSTALLATION KIT

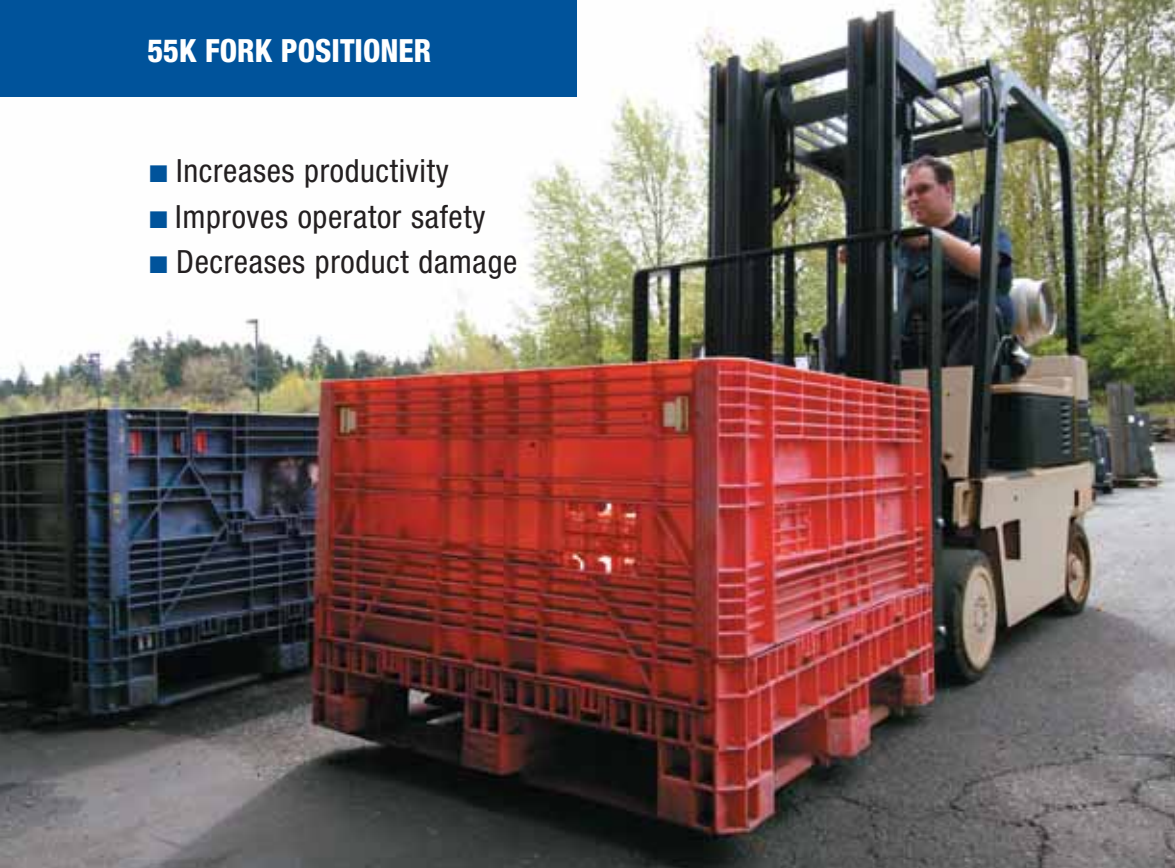
Catalog
Order No.
6053309

NOTE

For frame widths wider than 47", refer to the Cascade 55K fork positioner.

55K FORK POSITIONER

- Increases productivity
- Improves operator safety
- Decreases product damage



Removable fork carrier end
allows forks to be easily installed.
No weld-on anchor lug is required.



Restrictor fittings
on both cylinder ends allow
for speed adjustment and
fork synchronization.

OPTIONS



Bolt-On Pallet/Cylinder Guard
provides additional protection for the pallet and
cylinders.



Radio Frequency Hydraulic Control
provides a simple, cost effective means to position
the forks. Permits the use of a single function
auxiliary valve to control an additional hydraulic
function. Eliminates the need for additional hydrau-
lic hoses or electric cables and offers a minimum
of installation time.