



## Compact: Easy & accurate fork positioning

The 55G / 100G Side shifting Fork positioner saves the operator time and energy positioning the forks, eliminates the chance of personal injury, as well reducing pallet and product damage caused by incorrect fork position.

The G-Series fork positioners allow the driver to accurately position and sideshift the forks from the driver's seat. Combines fork positioning and side shifting in one compact unit. Designed as a compact unit with optimal visibility and excellent specifications it provides the optimal productivity improvement for your lift truck. A combination of quality, low price and excellent performance it far outperforms most fork positioners on today's market.

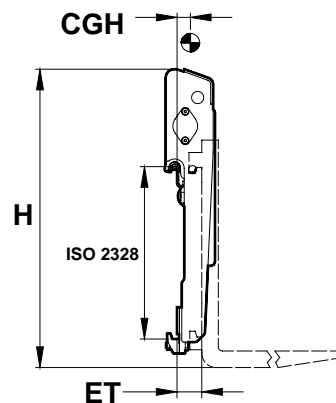
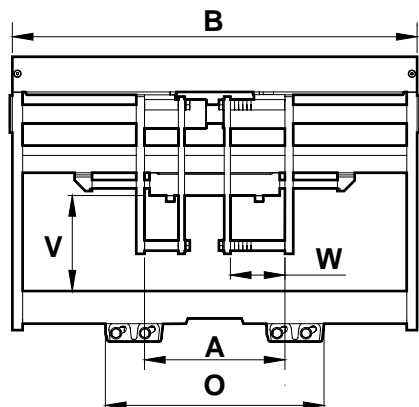
### FEATURES

- Quick and easy installation
- Hang on installation ( no welding)
- Uses standard ISO lift truck forks.
- Rugged heavy duty fork actuators run in bronze bearings on a large diameter chrome shaft. Provides smooth fork movement.
- Actuator design has adjustment to accept 80mm up to 130mm wide forks.
- Compact nested hydraulic cylinders are well protected against damage.
- External sideshift with a double acting center mounted sideshift cylinder provides constant 100-100mm sideshift at all fork positions
- Side shifter bearings and actuators bearing are greaseable.
- Compact valve block contains equalizing speed adjustment is protected and center mounted to enable easy installation.
- Excellent driver visibility over and through the frame

### OPTIONS

- Bolt-on backrest 1200mm and 1500mm height available.
- Non side shifting model available.
- Special frame widths and opening ranges.
- Quick disconnect lower mounting hooks

Separate Sideshift



Model	Capacity at loadcentre kg/mm	Frame width B (mm)	Min. Truck carriage width (mm)	Opening Range A (mm)	Fork widths W (mm)	Frame Height (H) mm	V (mm)	ET (mm)	Centre of gravity CGH (mm)	Mass kg	Mounting Class ISO-2328
55G-FPS-A092	2500 /500	920	800	340-810	80-130	720	230	60	32	97	2
55G-FPS-A098	2500 /500	980	800	340-870	80-130	720	230	60	32	102	2
55G-FPS-A104	2500 /500	1040	860	340-930	80-130	720	230	60	32	107	2
55G-FPS-A110	2500 /500	1100	860	340-990	80-130	720	230	60	32	113	2
55G-FPS-A116	2500 /500	1160	920	340-1050	80-130	720	230	60	32	118	2
55G-FPS-A122	2500 /500	1220	920	340-1110	80-130	720	230	60	32	124	2
55G-FPS-A128	2500 /500	1280	920	340-1170	80-130	720	230	60	32	128	2
55G-FPS-A134	2500 /500	1340	1020	340-1230	80-130	720	230	60	32	134	2
55G-FPS-A140	2500 /500	1400	1020	340-1290	80-130	720	230	60	32	140	2
55G-FPS-A146	2500 /500	1460	1040	340-1350	80-130	720	230	60	32	145	2
100G-FPS-B105	5000 /500	1050	980	380-920	100-150	855	268	73	44	217	3
100G-FPS-B111	5000 /500	1110	980	380-980	100-150	855	268	73	44	225	3
100G-FPS-B117	5000 /500	1170	980	380-1040	100-150	855	268	73	44	233	3
100G-FPS-B123	5000 /500	1230	980	380-1100	100-150	855	268	73	44	239	3
100G-FPS-B129	5000 /500	1290	980	380-1160	100-150	855	268	73	44	245	3
100G-FPS-B135	5000 /500	1350	980	380-1220	100-150	855	268	73	44	257	3
100G-FPS-B141	5000 /500	1410	1080	380-1280	100-150	855	268	73	44	263	3
100G-FPS-B147	5000 /500	1470	1080	380-1340	100-150	855	268	73	44	269	3
100G-FPS-B153	5000 /500	1530	1180	380-1400	100-150	855	268	73	44	275	3
100G-FPS-B159	5000 /500	1590	1280	380-1460	100-150	855	268	73	44	281	3
100G-FPS-B165	5000 /500	1650	1280	380-1520	100-150	855	268	73	44	287	3
100G-FPS-B195	5000 /500	1950	1580	380-1820	100-150	855	268	73	44	328	3

HYDRAULIC FLOW (L/MIN)

Model	Min. flow	Recomm. Flow	Max. flow	Max. Pressure (bar)
100G-FPS	15	20	35	180
55G-FPS	15	20	35	180

HYDRAULIC FUNCTIONS

Model	Hydraulic Functions	Truck auxilliary valves required
100G-FPS	2	2
55G-FPS	2	2