



A versatile, high-production roll clamp for kraft, linerboard and coated papers.

A roll clamp so tough, you can count on it shift after shift.

APPLICATIONS

Designed for mills, converters, corrugators, stevedoring, printers, warehousing and all applications requiring a rugged, heavy-duty paper roll clamp. The 72G is application rated for high cycle operations handling kraft, linerboard and coated paper stocks. Will handle 60-inch rolls up to 7,200 lbs.

FEATURES

Optimized Roll Handling

- Secure roll handling
- High grip contact pad surface
- Fast 360° rotation
- Great visibility through arms

Durability

- Rugged frame and arm construction
- Large diameter pivot pins and bearings
- Compatible with current lift truck hydraulic flow(s) and pressure
- Pinless contact pad mounting
- Heavy-duty rotator gear box and ring gear
- Replaceable wear pads

Serviceability

- Check valve diagnostic port. Check valves and cylinder can be serviced without clamp disassembly
- Lifting eyes for easy removal and installation

MODELS

Fixed frame/fixed short arm

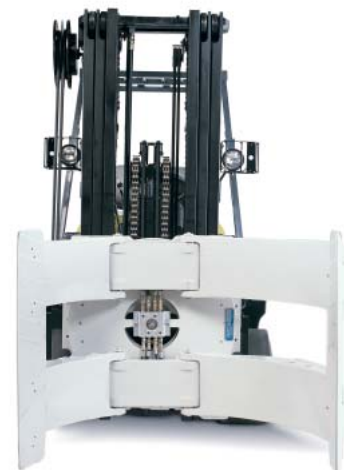
- Good arm profile when handling rolls near maximum diameter

Fixed frame/positioned short arm

- Improves long arm profile over wide range of roll diameters

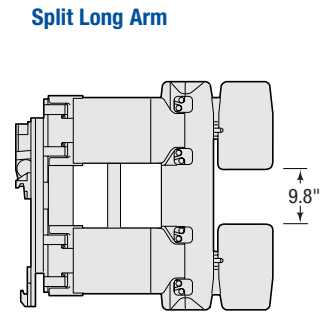
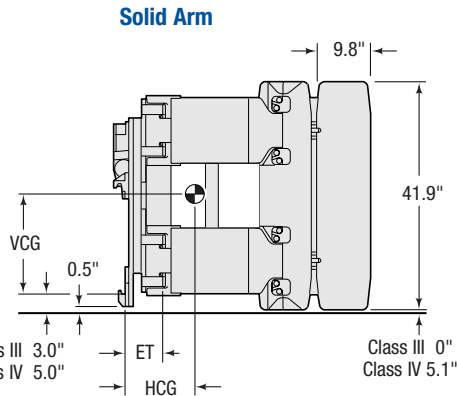
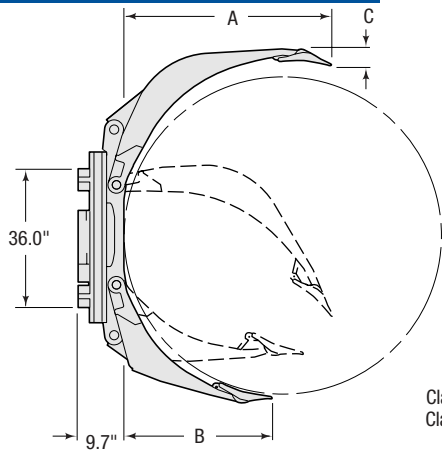
Split arm

- The two long arm sections move independently, allowing you to handle two different size rolls simultaneously



cascade
corporation

72G PAPER ROLL CLAMP



Capacity @ Diameter	Roll Range	Short Arm Type	Catalog Order No.	Mounting Class	Mounting Angle ①	Weight	Effective Thickness	Horizontal Center of Gravity	Vertical Center of Gravity	Long Arm Length	Short Arm Length	Long Arm Thickness		
lbs. @ inches	kg @ mm					lbs.	kg	ET	HCG	VCG	A	B	C	
Solid Arm														
7,200 @ 51"	3,270 @ 1,295	10"-51"	Positioned	72G-RCP-B011	III	0°	1,986	902	8.3"	10.8"	17.6"	34.1"	22.3"	3.4"
7,200 @ 51"	3,270 @ 1,295	10"-51"	Positioned	72G-RCP-B001	III	2°	1,975	897	7.5"	10.1"	17.6"	34.1"	22.3"	3.4"
7,200 @ 51"	3,270 @ 1,295	10"-51"	Positioned	72G-RCP-C001	IV	2°	1,995	906	7.5"	10.2"	19.6"	34.1"	22.3"	3.4"
7,200 @ 51"	3,270 @ 1,295	10"-51"	Positioned	72G-RCP-C011	IV	0°	2,002	909	8.3"	10.7"	19.6"	34.1"	22.3"	3.4"
7,200 @ 60"	3,270 @ 1,525	10"-60"	Positioned	72G-RCP-B013	III	0°	2,155	978	8.3"	11.9"	17.6"	38.2"	27.1"	2.6"
7,200 @ 60"	3,270 @ 1,525	10"-60"	Positioned	72G-RCP-B003	III	2°	2,144	973	7.5"	11.2"	17.6"	38.2"	27.1"	2.6"
7,200 @ 60"	3,270 @ 1,525	10"-60"	Positioned	72G-RCP-C003	IV	2°	2,164	983	7.5"	11.3"	19.6"	38.2"	27.1"	2.6"
7,200 @ 60"	3,270 @ 1,525	10"-60"	Positioned	72G-RCP-C013	IV	0°	2,171	986	8.3"	11.8"	19.6"	38.2"	27.1"	2.6"
6,000 @ 72"	2,725 @ 1,830	15"-72"	Positioned	72G-RCP-B005	III	2°	2,361	1,072	7.5"	12.7"	17.6"	44.9"	32.0"	3.1"
6,000 @ 72"	2,725 @ 1,830	15"-72"	Positioned	72G-RCP-B015	III	0°	2,383	1,082	8.3"	13.2"	17.6"	44.9"	32.0"	3.1"
6,000 @ 72"	2,725 @ 1,830	15"-72"	Positioned	72G-RCP-C005	IV	2°	2,381	1,081	7.5"	12.7"	19.6"	44.9"	32.0"	3.1"
6,000 @ 72"	2,725 @ 1,830	15"-72"	Positioned	72G-RCP-C015	IV	0°	2,387	1,084	8.3"	13.2"	19.6"	44.9"	32.0"	3.1"
Split Arm														
7,200 @ 60"	3,270 @ 1,525	10"-60"	Positioned	72G-RDP-B003	III	2°	2,122	963	7.5"	9.6"	17.6"	38.2"	27.1"	2.6"
7,200 @ 60"	3,270 @ 1,525	10"-60"	Positioned	72G-RDP-B013	III	0°	2,142	973	8.3"	10.2"	17.6"	38.2"	27.1"	2.6"
7,200 @ 60"	3,270 @ 1,525	10"-60"	Positioned	72G-RDP-C003	IV	2°	2,142	973	7.5"	9.5"	19.6"	38.2"	27.1"	2.6"
7,200 @ 60"	3,270 @ 1,525	10"-60"	Positioned	72G-RDP-C013	IV	0°	2,162	982	8.3"	10.1"	19.6"	38.2"	27.1"	2.6"

① 2° mounting provides a combination of reduced effective thickness, easy bilge handling and improved high stacking capability (up to 268"). 0° mounting must be used when stacking above 268".

- ▶ Fixed short-arm model available.
- ▶ Cascade cast pad is standard.
- ▶ Split Arm available. Consult Cascade for specifications.

INSTALLATION KIT

Catalog Order No.
212904

HYDRAULIC FLOW AND PRESSURE

Minimum Flow	Recommended Flow	Maximum Flow	Maximum Pressure
5 GPM	10 GPM	15 GPM	2,600 PSI/160 bar

HYDRAULIC FUNCTIONS

Hydraulic Functions	Truck Auxiliary Valves Required
1	1

MOUNTING CLASS INFORMATION

Mounting Class	Truck Capacity
II	2,000-5,500 lbs.
III	6,000-10,000 lbs.

ROTAR SPECIFICATIONS

Rotar Speed	Rotar Torque
4.1 RPM @ 15 GPM	85,000 inch-lbs. @ 2,000 PSI