



## Designed to handle jumbo rolls.

*A versatile,  
high-production  
roll clamp for  
large rolls.*

### APPLICATIONS

Advancements in large, wide high-speed printing presses have increased the requirements to effectively handle large 3 meter and longer rolls at paper mills, transportation companies, warehousing locations and new printing plants. The 130F and 160F Paper Roll Clamps were developed specifically for these applications. Well-suited for handling large rolls of kraft, linerboard and coated paper stocks.

### FEATURES

#### **Reduce Roll Damage**

- Proven contact pad shape and surface holds rolls securely.
- Thin arm profile and smooth arm contour eases roll breakout and permits close stacking.
- Positioned Short Arm and Swing Frame models maintain thin arm profile over a wide range of roll diameters.

#### **Fast Roll Handling**

- Good visibility through and around clamp.
- Continuous 360° rotation.

#### **Excellent Durability**

- Unitized construction provides structural integrity in arms and frame.
- Heavy-duty rotator
- Pivot bushings are lube-free and provide longer service life.

#### **Serviceability**

- Check valve diagnostic port and check valves can be serviced without clamp disassembly
- Lifting eyes on the baseplate for easy removal and installation of the clamp
- Easy-access hydraulics

### MODELS

#### **Fixed frame/fixed short arm**

- Good arm profile when handling rolls near maximum diameter

#### **Fixed frame/positioned short arm**

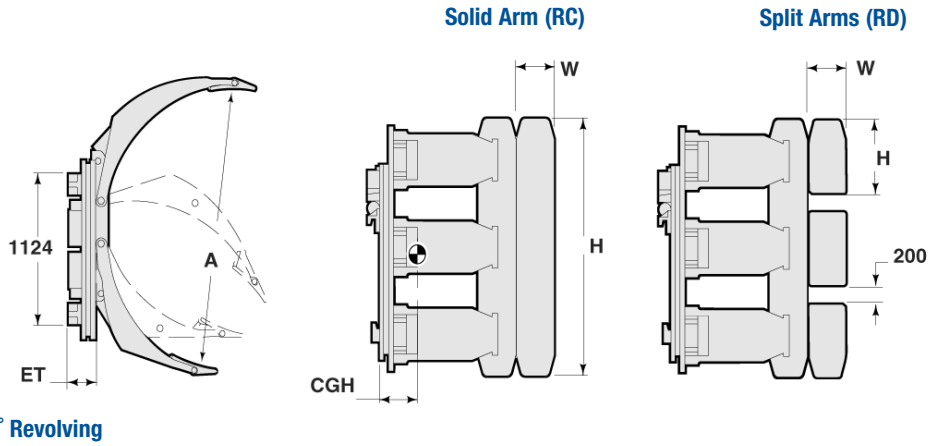
- Improves long arm profile over wide range of roll diameters

#### **Split Arm Option**

- The two long arm sections move independently, allowing you to handle two different size rolls simultaneously

### OPTIONS

- AFC (Adaptive Force Control) for automatic control of clamping pressure that changes as roll weight changes.
- 180° mechanical stop group.
- Electronic Rotational Control for precise 180° and 90° (bilge) positioning.
- Split arm for handling multiple rolls of different sizes.
- Wide variety of rubber, urethane and other pads are available for improved handling of certain papers



360° Revolving

Model	Capacity	Load Centre	Open AMin	Open AMax	ET	CGH	Mass	Mounting	Pad (H)SA	Pad (H)LA	Pad W	Mounting Angle	Hook Spread/OTO
130F-RCP-X601	7000	675	540	1350	260	335	1960	4 / *	1520	1520	305	2	1124
130F-RCP-X603	6500	760	380	1520	260	351	2054	4 / *	1520	1520	305	2	1124
130F-RCP-X605	5500	915	510	1830	260	378	2213	4 / *	1520	1520	305	2	1124
140F-RCF-601	7500	700	600	1400	260	335	2220		2000	2000	250		1124
160F-RCP-C601	8500	675	540	1350					Consult Cascade				
160F-RCP-C603	7200	800	380	1600					Consult Cascade				
160F-RCP-C605	6000	915	510	1830					Consult Cascade				
160F-RCP-C607	5200	1065	880	2130					Consult Cascade				
130F-RDP-X601	7000	675	540	1350	260	335	1945	4 *	1520	370	305	2	1124
130F-RDP-X603	6500	760	380	1520	260	351	2039	4 *	1520	370	305	2	1124
130F-RDP-X605	5500	915	510	1830	260	378	2198	4 *	1520	370	305	2	1124
140F-RDF-601	7500	700	600	1400	260	335	2240	4 *	2000	500	250	2	1124
160F-RDP-C601	8500	675	540	1350					Consult Cascade				
160F-RDP-C603	7200	800	380	1600					Consult Cascade				
160F-RDP-C605	6000	915	510	1830					Consult Cascade				
160F-RDP-C607	5200	1065	880	2130					Consult Cascade				

\* Consult Cascade

- ▶ RCP-RDP models have a positioned short arm. These models can be delivered with a class 4 mounting or a pin type or special mounting which is designed to suit each application.

## HYDRAULIC FUNCTIONS

Model	Hydraulic Functions	Truck Aux. Valves Required
Fixed Frame	2	2

## HYDRAULIC FLOW & PRESSURE (L/min)

Minimum Pressure	Recommended	Maximum (rotate, clamp)	Max.
38	57	76	160 bar

## ROTATOR SPECIFICATIONS

Rotator Speed	Rotator Torque
2.4 RPM @ 76 L/min	14270 Nm. @ 140 bar

- ▶ Optional motors providing faster rotation are available. Reduced torque will result.

## MOUNTING CLASS INFORMATION

Mounting Class	Truck Capacity at Load centre
4	5,000-8,000 kg at 500mm

## MINIMUM TRUCK CARRIAGE WIDTH

130F	1,016 mm
------	----------